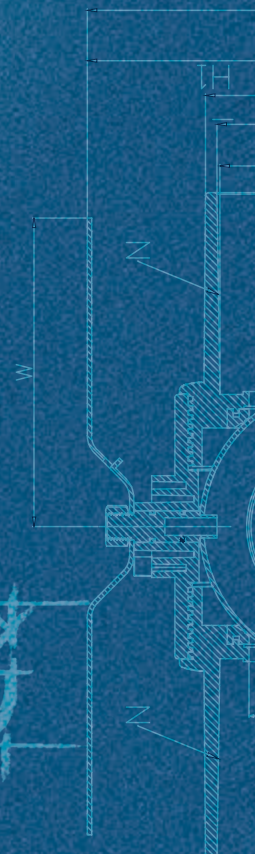




CHIU TONG

久統塑膠有限公司

CHIU TONG

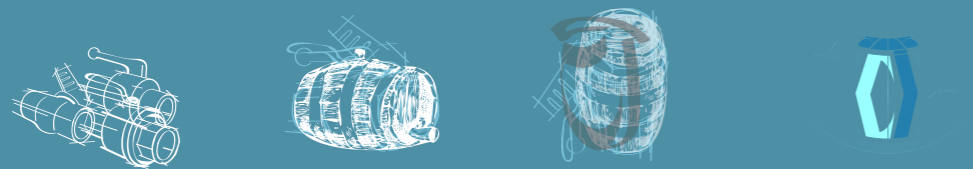


2024

We Only
Pursue
Perfection



關於公司 About Us



久統塑膠有限公司創立於1978年，一路秉持穩健踏實，服務至上的精神，生產開發各式產品供應台灣本地及國外客戶之需求。

Chiu Tong found in 1978, always keep steady and service of first importance, producing all kinds of products for meeting the requirement of customers from local Taiwan and foreign countries.

我們專業生產各式塑膠閥門及相關零配件，以自有品牌行銷，深獲好評；且於2003年通過ISO認證以與國際接軌。

We specialize in manufacturing all kinds of PVC valve and fittings, selling by our brand and obtain great reputation. Also, we have granted ISO certificate in 2003 to associate with worldwide. To meet with expanding business needs.

鑑於業務擴充之需求，於2010年遷至7000平方米之新廠房；且陸續新增園藝及家居用品新產線，種類樣式達數百款且持續開發中，並配合客戶OEM及ODM生產。

We have relocated to new factory which owns 7000 Square Metres in 2010. Meanwhile, we have added another production line to manufacturing Gardening Accessories and Household items and which have reached hundreds of types. Besides, we also produce products according to customers' OEM and ODM service.

展望未來，本公司仍將加強品質控管，並以目前工業產品優勢與其他新元素結合，除了持續拓展塑膠閥門產品，亦將多角化發展新產品線與新通路。我們將以創新帶動領導的跳躍思維，不斷追求產品的改良與開發，正如久統不斷追求成長及永續經營的信念！

We will keep jumping viewpoint of creativity guides leadership, continuing to seek for improvement and development of products which is as Chiu Tong keeps pursuing growth and the faith of continuous operation.

沿革 History

- 1978** 久統塑膠有限公司創立於台灣彰化。
Chiu Tong Plastics Co., Ltd. Found at Changhua, Taiwan.
- 1993** 久統塑膠獲BOI投資獎勵於泰國設立第一家塑膠球閥製造商。
Obtain BOI investment reward and set up first plastic ball valve manufacturer in Thailand.
- 2003** 通過ISO-9001認證。
Passed ISO-9001 certificate.
- 2008** 外銷超過30個國家。
Selling over 30 foreign countries.
- 2010** 新廠落成於彰化秀水,面積達7000平方米。
Set up new factory which with 7,000 Square Metres.
- 2011** 新增園藝配件&家居用品新產線。
Added another production line to manufacturing Gardening Accessories and Household items.
- 2014** 3*3盆栽榮獲德國紅點設計獎。
3*3 flower pot got Germany Red Dot Design Award.
- 2016** 膠囊蓮蓬頭獲政府SBIR專案補助及多國發明專利。
Capsule shower head got government SBIR project subsidy and many countries' patent pending.



精實訊敏
Accurate,
Prompt and Acute.

精進流程與人力，
創造極大化之價值。
Simplify process and
manpower to create maxi-
mal value.

擴大視野
Enlarge Perspective.

放大格局，
探究高水準的管理與技術。
Broaden your horizons,
research high level
management and technology.

謙仁誠義
Humble, Kind,
Honest and Justice.

儒道合之企業文化，
並放諸社會責任。
Enterprise culture of Confucianists
and Taoism and take upon society
responsibility.

創新領導
Creative Leadership.

創新帶動領導，
染化全員的跳躍思維。
Keep jumping viewpoint of
creativity guides leadership.



堅續管理流程的精進

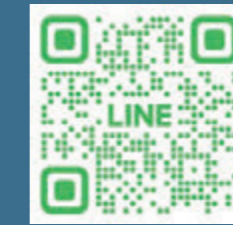
Insist on refinement of management process

堅持不可妥協的品質

Insist on "no-compromise" quality.

追求卓越、行銷全球

Seek for outstanding and sell worldwide.



LINE 行銷生活圈

使用手機或平板電腦搜尋的三種方式

- (1) 在 Line 官方帳號搜尋「久統」
- (2) 搜尋 Line ID : @chiutong (前面記得要加 @)
- (3) 掃描左方 QR Code 行動條碼，也可以找到我們喔！

加入好友後，請您務必回覆一下「貴公司名稱-姓名」，才算加入成功喔！



Standard Ball Valve

CT-01(1/2"~2") | 標準型球閥

產品特色 Product Features

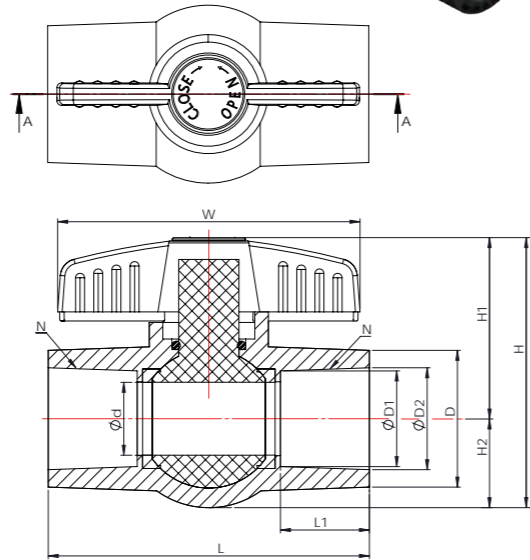
- 埋入式一體成型射出，密合度高。
- 結構簡單，體積小、重量輕，不佔空間。
- 球子與閥體俱獨特密封座設計，保證球閥轉動流暢、氣密良好。
- 本球閥採非鉛系安定劑之硬質PVC材質，無重金屬、無毒、無味。
- 每個閥體皆經多重壓力測試，以確保出廠高標準。
- Very good appearance formed in one piece injection.
- The structure is simple, small volume、light weight and it is not to occupy space.
- Distinctive design of the seat where it is between on the ball and body.
- It guarantee that tightness is good while turn on or off ball valve.
- The element of PVC ball valve is not to add lead, no heavy metal、no poison、no taste.
- Every Standard Ball Valve pass multiple pressure test which guarantee not to leak.

Thread End

- NPT, BSPT

Socket End

- CNS, ANSI, BS, JIS, DIN



NO	Parts	Q'TY	Material
1	Handle	1	UPVC/ABS
2	O-Ring	1	NBR/EPDM/VITON
3	Body	1	UPVC/CPVC/PP
4	Ball	1	UPVC/CPVC/ABS
5	Seat	2	PVC/TPR/FKM

SIZE	CNS			JIS			ANSI			BS			DIN			L	H	d	D	W	N	
	D1	D2	L1	D1	D2	L1	D1	D2	L1	D1	D2	L1	D1	D2	L1						NPT	BSPT
3/8" (13mm)	17.68	18.4	21	17.68	18.4	21	17.04	17.45	21	17.1	17.3	21	16.1	16.3	21	75.2	62	13	31.7	63.5	18	19
1/2" (15mm)	21.67	22.42	21	21.67	22.4	21	21.23	21.54	21	21.3	21.5	21	20.1	20.3	21	75.2	62	13	31.7	63	14	14
3/4" (20mm)	25.73	6.45	23	25.7	26.45	23	26.57	26.87	23	26.7	26.9	23	25.1	25.3	23	83.5	74.5	18	36.8	77.7	14	14
1" (25mm)	33.67	34.6	30	31.71	32.55	30	33.27	33.65	30	33.5	33.7	30	32.1	32.3	30	109	90	24	45.2	100.5	11.5	11
1-1/4" (32mm)	41.67	42.6	32	37.67	38.6	32	42.04	42.42	32	42.2	42.4	32	40.1	40.3	32	120	106.8	30	55.3	110	11.5	11
1-1/2" (40mm)	47.76	48.7	39	47.76	48.7	39	48.11	48.56	39	48.2	48.4	39	50.1	50.3	39	141.6	117.2	36	63.1	119.8	11.5	11
2" (50mm)	59.77	60.8	42	59.77	60.8	42	60.17	60.63	42	60.3	60.5	42	63.1	63.3	42	159	143	48	76	120	11.5	11

Assembled Ball Valve

CT-02(1/2"~2") | 組合式球閥

產品特色 Product Features

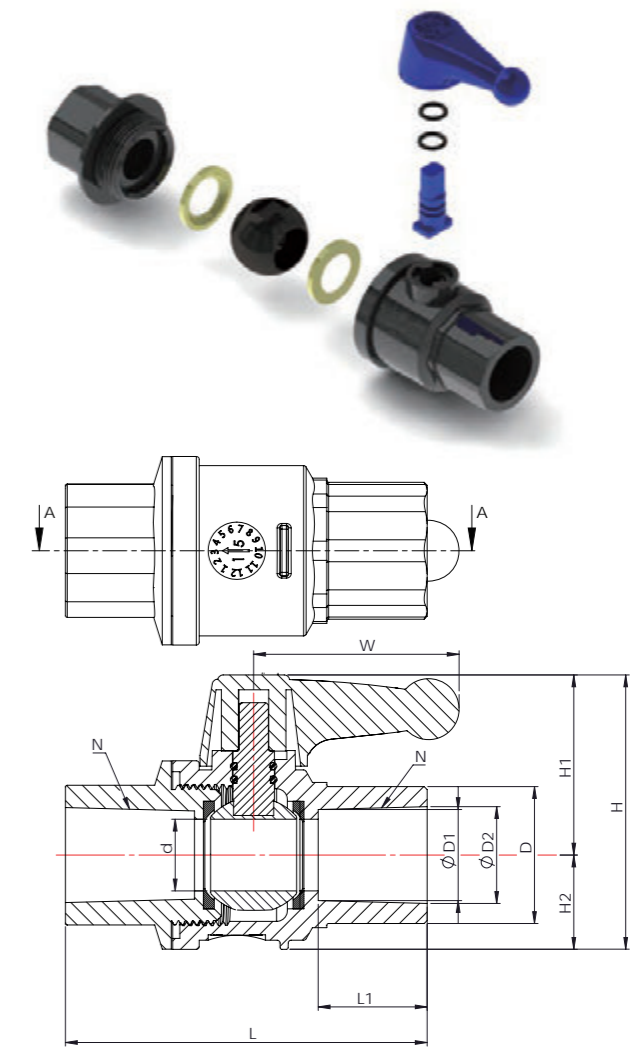
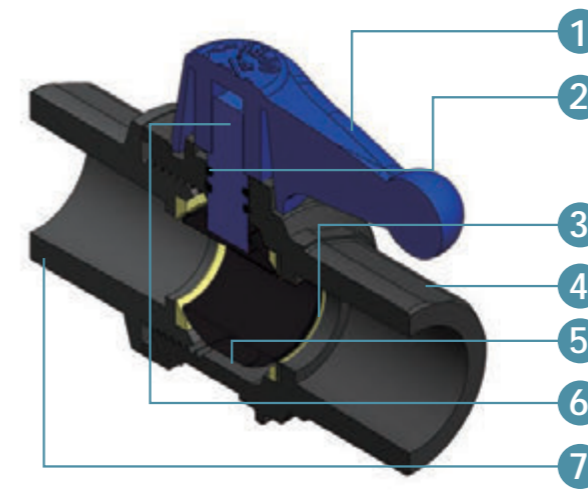
- 球子與閥體俱獨特密封座設計，保證球閥轉動流暢、氣密良好。
- 本球閥採非鉛系安定劑之硬質PVC材質，無重金屬、無毒、無味。
- 把手、芯軸、塑膠球皆採ABS材質，耐候性佳，耐用性長。
- 芯軸採雙層O環設計，氣密性更佳。
- 每個閥體皆經多重壓力測試，以確保出廠高標準。
- 低轉矩扭力。
- Distinctive design of the seat where it is between on the ball and body.
- It guarantee that tightness is good while turn on or off ball valve.
- The element of PVC ball valve is not to add lead、no heavy metal、no poison、no smell.
- Handle、axis and ball use plastic (ABS) which is durable and not to get rusty.
- Axis use double o-ring which get better airtight.
- Every Assembled Ball Valve pass multiple pressure test which guarantee not to leak.
- Low torque torque.

Thread End

- NPT, BSPT

Socket End

- CNS, ANSI, BS, JIS, DIN



NO	Parts	Q'TY	Material
1	Handle	1	UPVC/ABS
2	O-Ring	2	NBR/EPDM/VITON
3	Seat	2	TPR/FKM
4	Body	1	UPVC/CPVC/ABS/PP
5	Ball	1	UPVC/CPVC/ABS
6	Stem	1	UPVC/CPVC/ABS
7	Cap	1	UPVC/CPVC/ABS/PP

SIZE	CNS			JIS			ANSI			BS			DIN			L	H	d	D	W	N	
	D1	D2	L1	D1	D2	L1	D1	D2	L1	D1	D2	L1	D1	D2	L1						NPT	BSPT
3/8" (13mm)	17.68	18.4	21	17.68	18.4	21	17.04	17.45	21	17.1	17.3	21	16.1	16.3	21	75.2	62	13	31.7	63.5	18	19
1/2" (15mm)	21.72	22.16	26.4	21.72	22.16	26.4	20.98	21.48	26.6	20.98	20.98	26.6	19.98	20.48	26.5	84.9	64.7	14.9	32.7	53	18	19
3/4" (20mm)	25.62	26.36	30.4	25.62	26.36	30.4	26.22	27.04	30.6	26.22	26.22	30.6	24.22	25.04	30.5	103.1	77.4	19.9	37.7	57	14	14
1" (25mm)	32.82	34.12	33.3	30.82	32.12	33.2	33.08	34.14	33.1	33.08	33.08	33.1	31.08	32.14	33.2	113.8	87.8	24.9	47.3	70	14	14
1-1/4" (32mm)	40.72	42.28	34.9	36.72	38.28	34.8	40.72	42.28	34.9	40.72	40.72	34.9	38.72	40.28	34.8	127.5	107.9	31.9	55.8	78	11.5	11
1-1/2" (40mm)	47.66	48.32	44.9	47.66	48.32	44.9	47.66	48.32	44.9	47.66	47.66	44.9	49.66	50.32	44.8	153.6	114.1	37.8	65.5	88	11.5	11
2" (50mm)	58.56	60.21	48.4	58.56	60.21	48.4	58.56	60.21	48.4	58.56	58.56	48.4	61.56	63.21	48.5	171.5	136.6	49.8	76.7	99	11.5	11

Assembled Ball Valve

CT-02 (2-1/2" 3" 4" 5") | 組合式球閥

產品特色

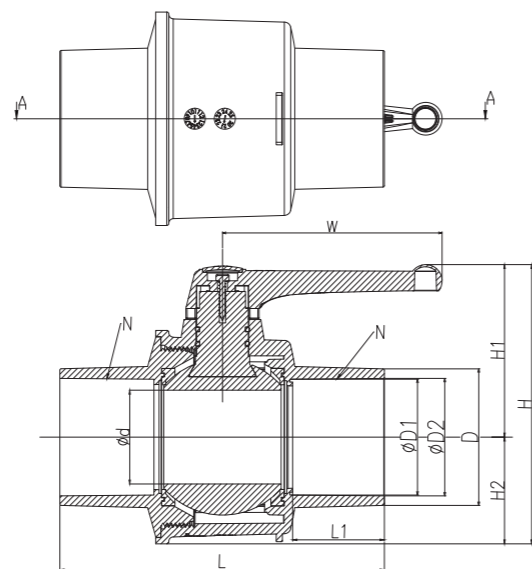
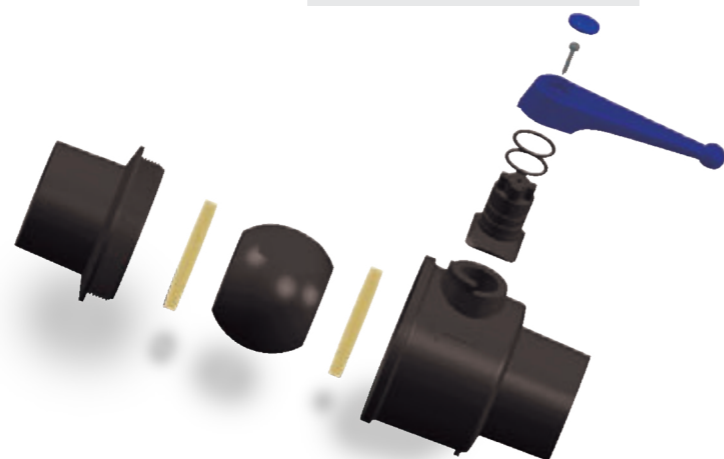
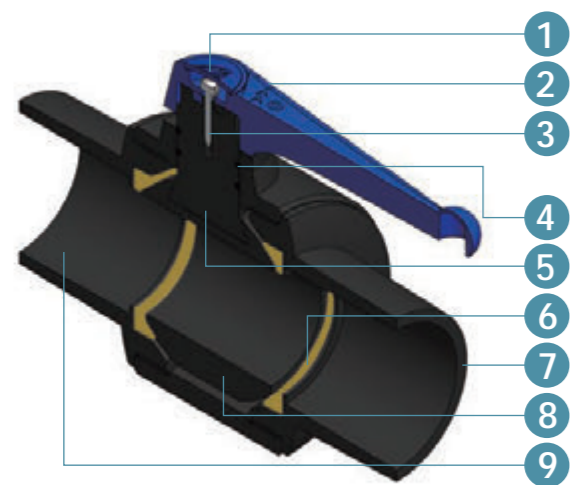
- 球仔與閥體俱獨特密封座設計，保證球閥轉動流暢、氣密良好。
- 本球閥採非鉛系安定劑之硬質PVC材質，無重金屬、無毒、無味。
- 把手、芯軸、塑膠球皆採ABS材質，耐候性佳，耐用性長。
- 芯軸採雙層O環設計，氣密性更佳。
- 每顆球閥皆經多重壓力測試，以確保出廠高標準。

Thread End

- NPT, BSPT

Socket End

- CNS, ANSI, BS, JIS, DIN



NO	Parts	Q'TY	Material
1	Label	1	ABS
2	Handle	1	UPVC/ABS
3	Screw	1	IRON
4	O-Ring	2	NBR/EPDM/VITON
5	Stem	1	UPVC/CPVC/ABS
6	Seat	2	RUBBER/TPR/FKM
7	Body	1	UPVC/CPVC/ABS/PP
8	Ball	1	UPVC/CPVC/ABS
9	Cap	1	UPVC/CPVC/PP

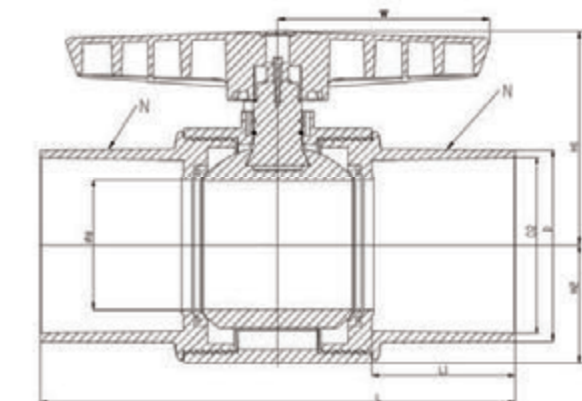
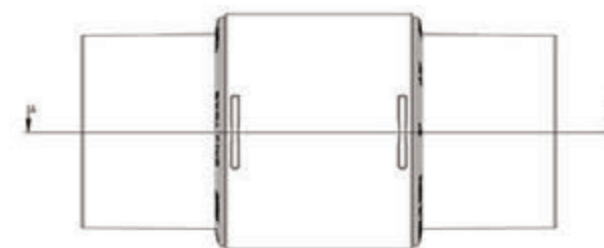
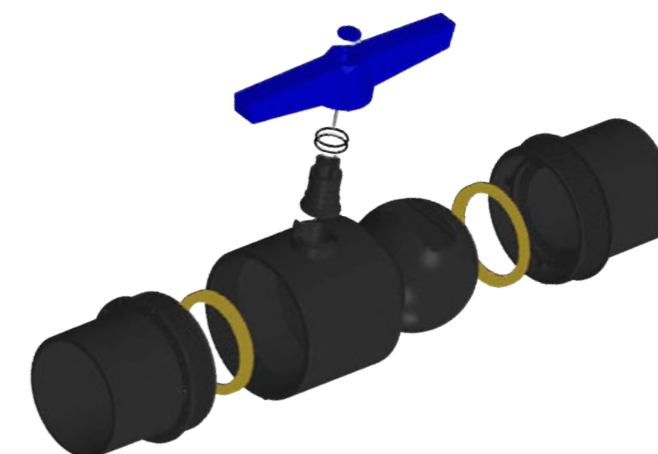
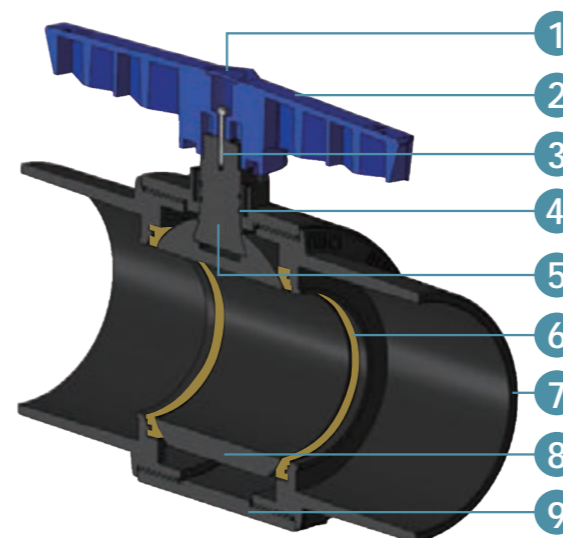
SIZE	CNS			JIS			ANSI			BS			DIN			L	H	d	D	W	UNIT:mm	
	D1	D2	L1	D1	D2	L1	D1	D2	L1	D1	D2	L1	D1	D2	L1						N	NPT
2-1/2" (65mm)	75.4	77	70	75.4	77	70	73.5	75.9	70	75.4	77	70	74.5	75.9	70	240	198	65.2	90	165	8	11
3" (80mm)	88.4	89.6	72	88.4	89.6	72	88.4	89.6	72	88.4	89.6	72	89.4	90.6	72	250	200	80	104	165	8	11
3-1/2" (90mm)	98.6	100.6	70	-	-	-	-	-	-	-	-	-	-	-	-	250	200	80	114	165	8	11
4" (100mm)	113.7	114.5	75.5	113.7	114.5	77.5	113.7	114.5	77.5	113.7	114.5	77.5	109.7	110.5	77.5	325	250	100	131	190	8	11
5" (125mm)	139.3	140.5	110	139.3	140.5	110	139.3	140.5	110	-	-	-	139.3	140.5	110	365	250	100	160	190	-	-
6" (150mm) (Low Flow)	164.6	167	110	164.6	167	110	167.4	168.5	110	167.4	168.5	110	159.4	160.5	110	375	258	100	187	190	-	-

Assembled Ball Valve

CT-02(6"全流量) | 組合式球閥

Product Features

- Distinctive design of the seat where it is between on the ball and body.
- It guarantee that tightness is good while turn on or off ball valve.
- The element of PVC ball valve is not to add lead, no heavy metal \ no poison \ no smell.
- Handle \ axis and ball use plastic (ABS) which is durable and not to get rusty.
- Axis use double o-ring which get better airtight.
- Every Assembled Ball Valve pass multiple pressure test which guarantee not to leak.



NO	Parts	Q'TY	Material
1	Label	1	ABS
2	Handle	1	UPVC/ABS
3	Screw	1	IRON
4	O-Ring	2	NBR/EPDM/VITON
5	Stem	1	UPVC/CPVC/ABS
6	Seat	2	RUBBER/TPR/FKM
7	Cap	2	UPVC/CPVC/PP
8	Ball	1	UPVC/CPVC/ABS
9	Body	1	UPVC/CPVC/ABS/PP

SIZE	CNS			JIS			ANSI			BS			DIN			L	H	d	D	W	N	UNIT:mm	
	D1	D2	L1	D1	D2	L1	D1	D2	L1	D1	D2	L1	D1	D2	L1							N	NPT
6" (150mm) (Full Flow)	164.6	167	132.8	164.6	167	132.8	164.6	169.5	132.8	164.6	167	132.8	164.6	161.3	132.8	458.3	294	126.3	186.5	205	-	-	

ST Handle ST Ball Valve

CT-03 (1/2"~2") | ST把手鋼珠球閥

產品特色 Product Features

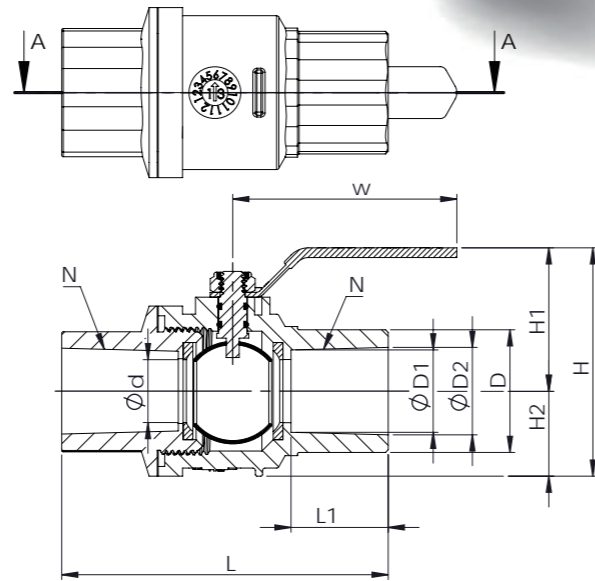
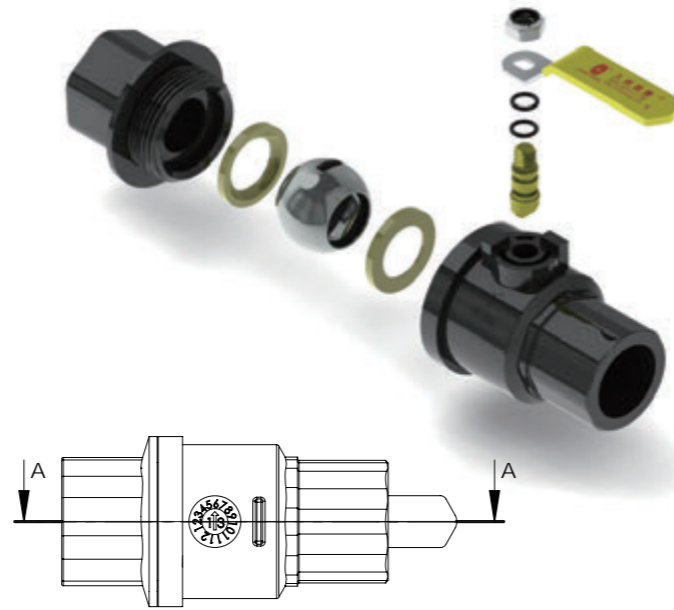
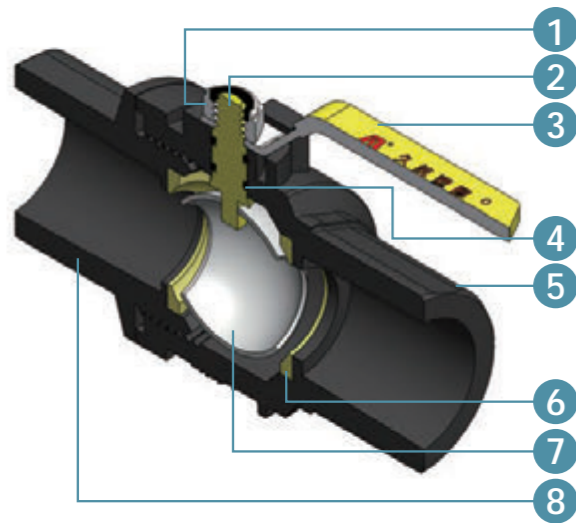
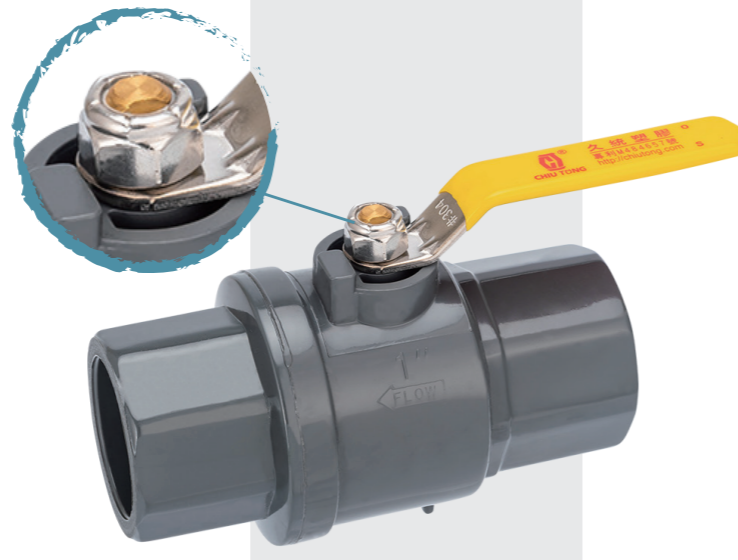
- 球仔與閥體俱獨特密封座設計，保證球閥轉動流暢、氣密良好。
- 本球閥採非鉛系安定劑之硬質PVC材質，無重金屬、無毒、無味。
- 把手、球體皆採SUS 304材質，不易生鏽。
- 芯軸採雙層O環設計，氣密性更佳。
- 每個閥體皆經多重壓力測試，以確保出廠高標準。
- 使用防鬆螺帽，增加耐振性及耐磨性，且把手不易鬆脫。

Thread End

- NPT, BSPT

Socket End

- CNS, ANSI, BS, JIS, DIN



NO	Parts	Q'TY	Material
1	Nut	1	SUS 304
2	Stem	1	BRASS/SUS304
3	Handle	1	SUS 304
4	O-Ring	2	NBR/EPDM/VITON
5	Body	1	UPVC/CPVC/ABS/PP
6	Seat	2	TPR/FKM
7	Ball	1	SUS 304
8	Cap	1	UPVC/CPVC/ABS/PP

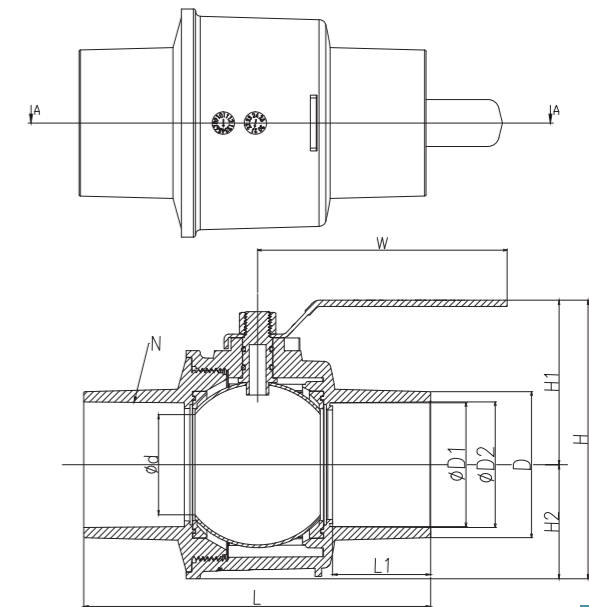
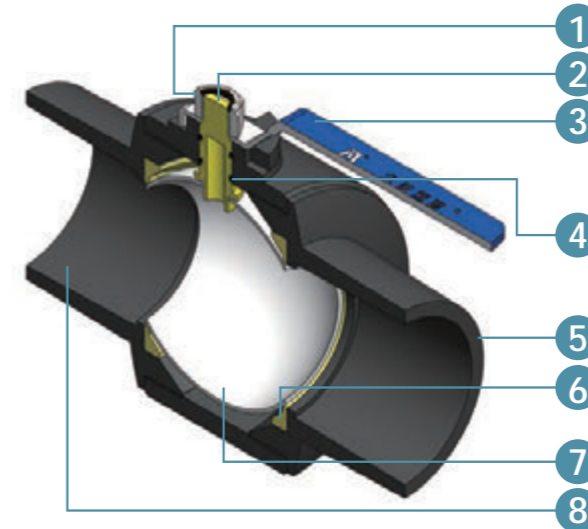
SIZE	CNS			JIS			ANSI			BS			DIN			L	H	d	D	W	N	
	D1	D2	L1	D1	D2	L1	D1	D2	L1	D1	D2	L1	D1	D2	L1						NPT	BSPT
3/8" (13mm)	17.68	18.4	21	17.68	16.4	21	17.04	17.45	21	17.1	17.3	21	16.1	16.3	21	75.2	62	13	31.7	63.5	18	19
1/2" (15mm)	21.72	22.16	26.4	21.72	22.16	26.4	20.98	21.48	26.6	20.98	21.48	26.6	19.98	20.48	26.5	84.9	61	14.9	32.7	70	18	19
3/4" (20mm)	25.62	26.36	30.4	25.62	26.36	30.4	26.22	27.04	30.6	26.22	27.04	30.6	24.22	25.04	30.5	103.1	72	19.9	37.7	83	14	14
1" (25mm)	32.82	34.12	33.3	30.82	32.12	33.2	33.08	34.14	33.1	33.08	34.14	33.1	31.08	32.14	33.2	113.8	79	24.9	47.3	83	14	14
1-1/4" (32mm)	40.72	42.28	34.9	36.72	38.28	34.8	40.72	42.28	34.9	40.72	42.28	34.9	38.72	40.28	34.8	127.5	108	31.9	55.8	121	11.5	11
1-1/2" (40mm)	47.66	48.32	44.9	47.66	48.32	44.9	47.66	48.32	44.9	47.66	48.32	44.9	49.66	50.32	44.8	153.6	118	37.8	65.5	121	11.5	11
2" (50mm)	58.56	60.21	48.4	58.56	60.21	48.4	58.56	60.21	48.4	58.56	60.21	48.4	61.56	63.21	48.5	171.5	139	49.8	76.7	125	11.5	11

ST Handle ST Ball Valve

CT-03(2-1/2"~5") | ST把手鋼珠球閥

Product Features

- Distinctive design of the seat where it is between on the ball and body. It guarantee that tightness is good while turn on or off ball valve.
- The element of PVC ball valve is not to add lead, no heavy metal、no poison、no smell.
- Both handle and ball use stainless material (SUS 304) which is durable and not to get rusty.
- Axis use double o-ring which get better airtight.
- Every ST Handle ST Ball Valve pass multiple pressure test which guarantee not to leak.
- Use anti-loose nut to increase vibration resistance and wear resistance, and the handle is not easy to loosen.



NO	Parts	Q'TY	Material
1	Nut	1	SUS 304
2	Stem	1	BRASS/SUS304
3	Handle	1	SUS 304
4	O-Ring	2	NBR/EPDM/VITON
5	Body	1	UPVC/CPVC/ABS/PP
6	Seat	2	RUBBER/TPR/FKM
7	Ball	1	SUS 304
8	Cap	1	UPVC/CPVC/PP

SIZE	CNS			JIS			ANSI			BS			DIN			L	H	d	D	W	N	
	D1	D2	L1	D1	D2	L1	D1	D2	L1	D1	D2	L1	D1	D2	L1						NPT	BSPT
2-1/2" (65mm)	75.4	77	70	75.4	77	70	73.5	75.9	70	75.4	77	70	74.5	75.9	70	240	173	65.2	90	182	8	11
3" (80mm)	88.4	89.6	72	88.4	89.6	72	88.4	89.6	72	88.4	89.6	72	89.4	90.6	72	250	196	80	104	182	8	11
3-1/2" (90mm)	98.6	100.6	70	-	-	-	-	-	-	-	-	-	-	-	-	250	196	80	114	182	8	11
4" (100mm)	113.7	114.5	77.5	113.7	114.5	77.5	113.7	114.5	77.5	113.7	114.5	77.5	109.7	110.5	77.5	325	215	100	131	213	8	11
5" (125mm)	139.3	140.5	110	139.3	140.5	110	139.3	140.5	110	-	-	-	139.3	140.5	110	365	215	100	160	213	-	-
6" (150mm) (Low Flow)	164.6	167	110	164.6	167	110	167.4	168.5	110	167.4	168.5	110	159.4	160.5	110	375	230	100	187	213	-	-

ST Handle ST Ball Valve

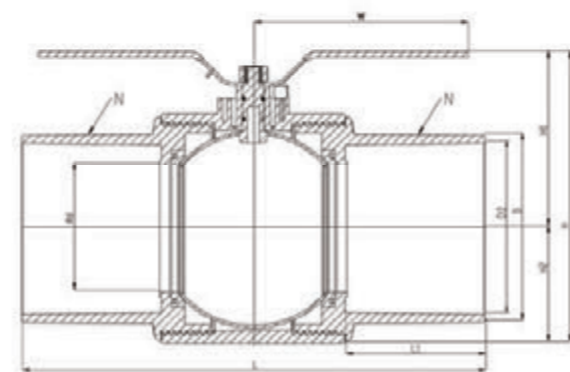
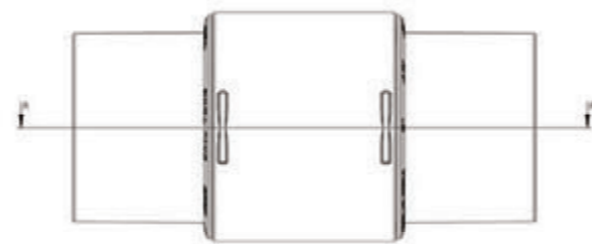
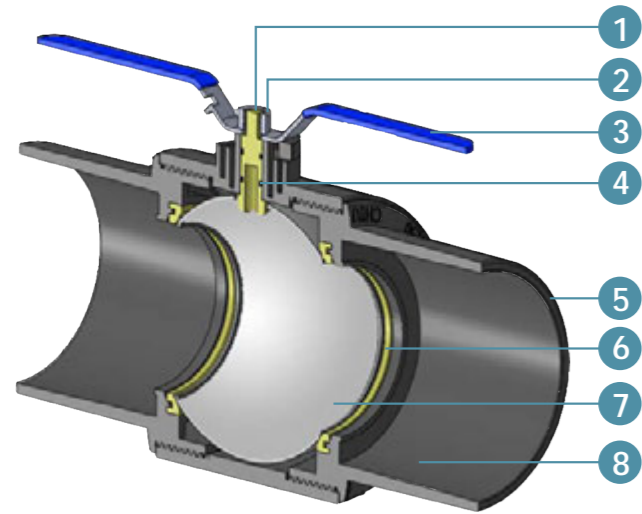
CT-03(6"全流量) | ST把手鋼珠球閥

Thread End

- NPT, BSPT

Socket End

- CNS, JIS, ANSI, BS, DIN



NO	Parts	Q'TY	Material
1	Stem	1	SUS 304
2	Nut	1	SUS 304
3	Handle	1	SUS 304
4	O-Ring	2	NBR/EPDM/VITON
5	Body	1	UPVC/CPVC/ABS/PP
6	Seat	2	TPR/FKM
7	Ball	1	SUS 304
8	Cap	1	UPVC/CPVC/ABS/PP

SIZE	CNS			JIS			ANSI			BS			DIN			L	H	d	D	W	N	
	D1	D2	L1	D1	D2	L1	D1	D2	L1	D1	D2	L1	D1	D2	L1						NPT	BSPT
6"(150mm)(Full Flow)	164.6	167	132.8	164.6	167	132.8	164.6	169.5	132.8	164.6	167	132.8	164.6	161.3	132.8	458.3	270	126.3	186.5	211	-	-

ST Handle ABS Ball Valve

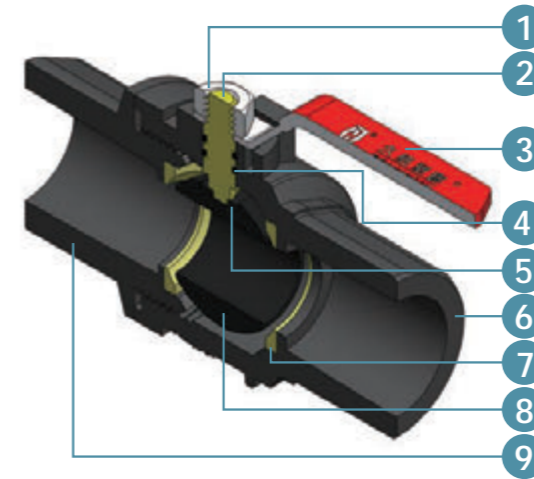
CT-04(1/2"~6") | ST把手塑珠球閥

Thread End

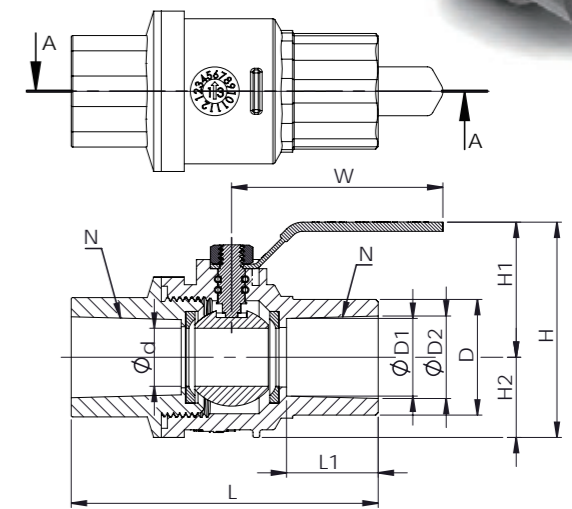
- NPT, BSPT

Socket End

- CNS, ANSI, BS, JIS, DIN



NO	Parts	Q'TY	Material
1	Nut	1	SUS 304
2	Stem	1	BRASS
3	Handle	1	SUS 304
4	O-Ring	2	NBR/EPDM/VITON
5	Iron Chromed	1	SUS 304
6	Body	1	UPVC/CPVC/ABS/PP
7	Seat	2	TPR/FKM
8	Ball	1	UPVC/CPVC/ABS
9	Cap	1	UPVC/CPVC/ABS/PP



SIZE	CNS			JIS			ANSI			BS			DIN			L	H	d	D	W	N	
	D1	D2	L1	D1	D2	L1	D1	D2	L1	D1	D2	L1	D1	D2	L1						NPT	BSPT
3/8" (13mm)	17.68	18.4	21	17.68	18.4	21	17.04	17.45	21	17.1	17.3	21	16.1	16.3	21	75.2	62	13	31.7	63.5	18	19
1/2" (15mm)	21.72	22.16	26.4	21.72	22.16	26.4	20.98	21.48	26.6	20.98	21.48	26.6	19.98	20.48	26.5	84.9	61	14.9	32.7	70	18	19
3/4" (20mm)	25.62	26.36	30.4	25.62	26.36	30.4	26.22	27.04	30.6	26.22	27.04	30.6	24.22	25.04	30.5	103.1	72	19.9	37.7	83	14	14
1" (25mm)	32.82	34.12	33.3	30.82	32.12	33.2	33.08	34.14	33.1	33.08	34.14	33.1	31.08	32.14	33.2	113.8	79	24.9	47.3	83	14	14
1-1/4" (32mm)	40.72	42.28	34.9	36.72	38.28	34.8	40.72	42.28	34.9	40.72	42.28	34.9	38.72	40.23	34.8	127.5	108	31.9	55.8	121	11.5	11
1-1/2" (40mm)	47.66	48.32	44.9	47.66	48.32	44.9	47.66	48.32	44.9	47.66	48.32	44.9	49.66	50.32	44.8	153.6	118	37.8	65.5	121	11.5	11
2" (50mm)	58.56	60.21	48.4	58.56	60.21	48.4	58.56	60.21	48.4	58.56	60.21	48.4	61.56	63.21	48.5	171.5	139	49.8	76.7	125	11.5	11
2-1/2" (65mm)	75.4	77	70	75.4	77	70	73.5	75.9	70	75.4	77	70	74.5	75.9	70	240	173	65.2	90	182	8	11
3" (80mm)	88.4	89.6	72	88.4	89.6	72	88.4	89.6	72	88.4	89.6	72	89.4	90.6	72	250	196	80	104	182	8	11
3-1/2" (90mm)	98.6	100.6	70	-	-	-	-	-	-	-	-	-	-	-	-	250	196	80	114	182	8	11
4" (100mm)	113.7	114.5	77.5	113.7	114.5	77.5	113.7	114.5	77.5	113.7	114.5	77.5	109.7	110.5	77.5	325	215	100	131	213	8	11
5" (125mm)	139.3	140.5	110	139.3	140.5	110	139.3	140.5	110	-	-	-	139.3	140.5	110	365	215	100	160	213	-	-
6"(150mm)(Low Flow)	164.6	167	110	164.4	167	110	167.4	168.5	110	167.4	168.5	110	159.4	160.5	110	375	230	100	187	213	-	-

Male ST Ball Valve

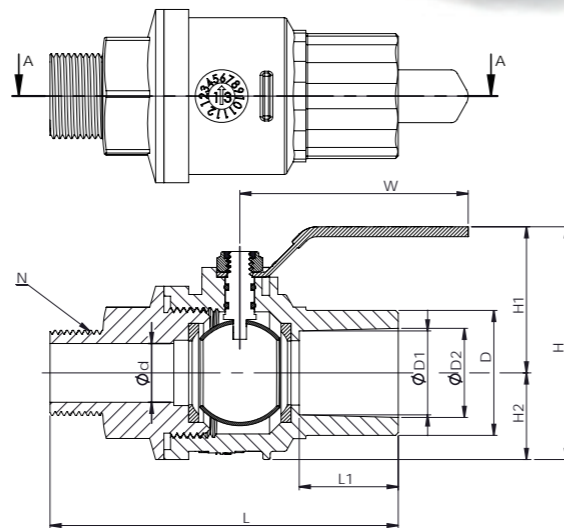
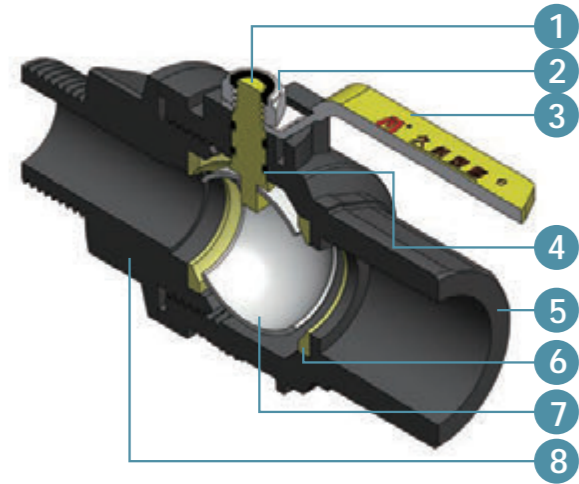
CT-05(1/2"~2") | 外牙鋼珠球閥

Thread End

- NPT, BSPT

Socket End

- CNS, JIS, ANSI, BS, DIN



NO	Parts	Q'TY	Material
1	Stem	1	BRASS
2	Nut	1	SUS 304
3	Handle	1	SUS 304
4	O-Ring	2	NBR/EPDM/VITON
5	Body	1	UPVC/CPVC/ABS/PP
6	Seat	2	TPR/FKM
7	Ball	1	SUS 304
8	Cap	1	UPVC/CPVC/ABS/PP

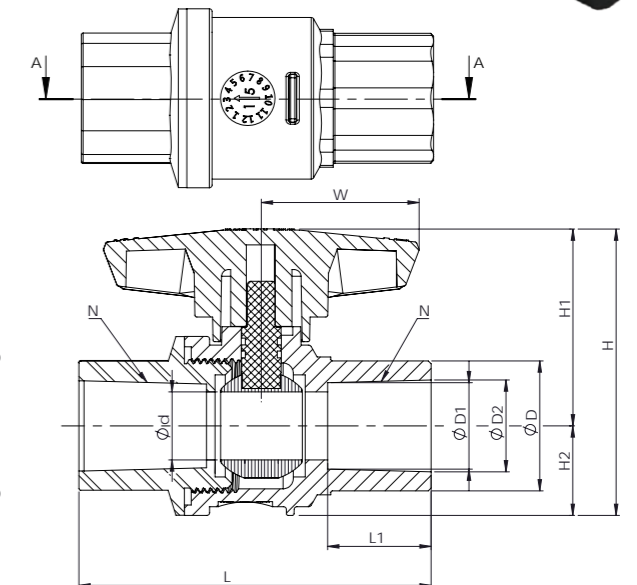
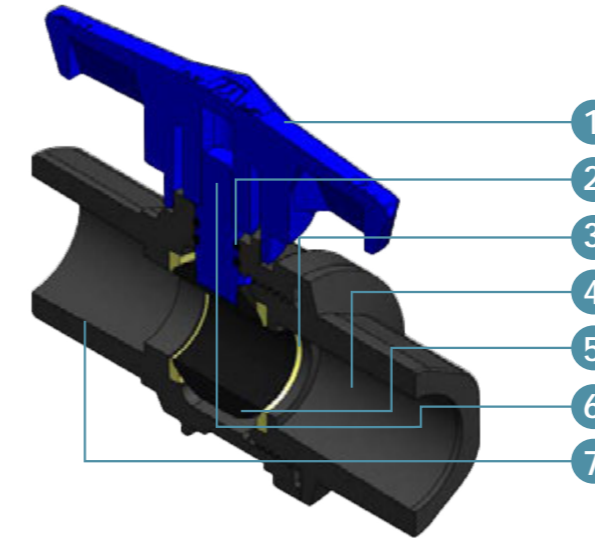
SIZE	CNS			JIS			ANSI			BS			DIN			L	H	d	D	W	N	UNIT:mm	
	D1	D2	L1	D1	D2	L1	D1	D2	L1	D1	D2	L1	D1	D2	L1							NPT	BSPT
1/2" (15mm)	21.72	22.16	26.4	21.72	22.16	26.4	20.98	21.48	26.6	20.98	21.48	26.6	19.98	20.48	26.5	89	61	14.9	32.7	83	14	14	
3/4" (20mm)	25.62	26.36	30.4	25.62	26.36	30.4	26.22	27.04	30.6	26.22	27.04	30.6	24.22	25.04	30.5	105	72	19.9	37.7	83	14	14	
1" (25mm)	32.82	34.12	33.3	30.82	32.12	33.2	33.08	34.14	33.1	33.08	34.14	33.1	31.08	32.14	33.2	112	79	24.9	47.3	83	11.5	11	
1-1/2" (40mm)	40.72	42.28	34.9	36.72	38.28	34.8	40.72	42.28	34.9	40.72	42.28	34.9	38.72	40.28	34.8	152	117	31.9	55.8	121	11.5	11	
2" (50mm)	47.66	48.32	44.9	47.66	48.32	44.9	47.66	48.32	44.9	47.66	48.32	44.9	49.66	50.32	44.8	168	140	37.8	65.5	125	8	11	
1" x 3/4" (25mm)	25.62	26.36	30.4	25.62	26.36	30.4	26.22	27.04	30.6	26.22	27.04	30.6	24.22	25.04	30.5	105	72	19.9	37.7	83	11.5	11	
1-1/2" x 1" (40mm)	32.82	34.12	33.3	30.82	32.12	33.2	33.08	34.14	33.1	33.08	34.14	33.1	31.08	32.14	33.2	120	79	24.9	47.3	83	11.5	11	
2" x 1-1/2" (50mm)	40.72	42.28	34.9	36.72	38.28	34.8	40.72	42.28	34.9	40.72	42.28	34.9	38.72	40.28	34.8	154	117	31.9	55.8	121	8	11	

Fancy Ball Valve

CT-06(1/2"~2") | 新型球閥

產品特色 Product Features

- 平口及牙口接頭。
- 安裝簡易、快速。
- 耐熱、耐高壓、使用壽命長。
- 每閥體皆經壓力測試出廠，滲漏率最低。
- 最大耐壓 150 PSI。



NO	Parts	Q'TY	Material
1	Handle	1	ABS
2	O-ring	2	NBR/EPDM/VITON
3	Seat	2	TPR/FKM
4	Body	1	UPVC/CPVC/ABS/PP
5	Ball	1	UPVC/CPVC/ABS
6	Stem	1	UPVC/CPVC/ABS
7	Cap	1	UPVC/CPVC/ABS/PP

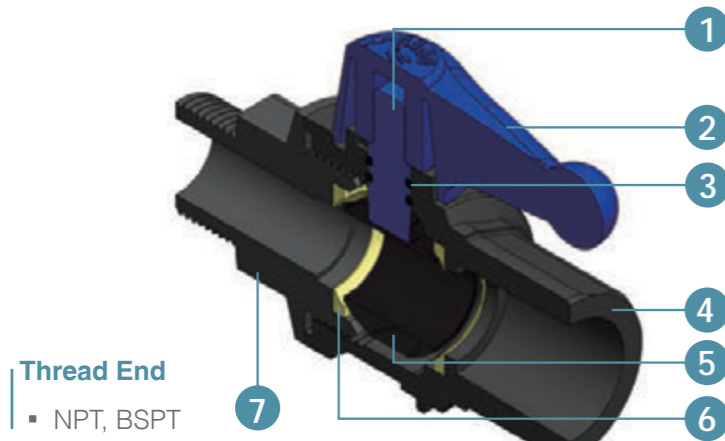
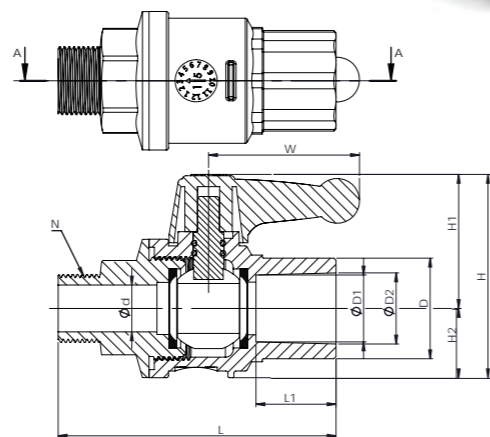
SIZE	CNS			JIS			ANSI			BS			DIN			L	H	d	D	W	N	UNIT:mm	
	D1	D2	L1	D1	D2	L1	D1	D2	L1	D1	D2	L1	D1	D2	L1							NPT	BSPT
3/8" (13mm)	17.68	18.4	21	17.68	18.4	21	17.04	17.45	21	17.1	17.3	21	16.1	16.3	21	75.2	62	13	31.7	63.5	18	19	
1/2" (15mm)	21.72	22.16	26.4	21.72	22.16	26.4	20.98	21.48	26.6	20.98	21.48	26.6	19.98	20.48	26.5	84.9	72.2	14.9	32.7	41.7	18	19	
3/4" (20mm)	25.62	26.36	30.4	25.62	26.36	30.4	26.22	27.04	30.6	26.22	27.04	30.6	24.22	25.04	30.5	103.1	83.9	19.9	37.7	46.4	14	14	
1" (25mm)	32.82	34.12	33.3	30.82	32.12	33.2	33.08	34.14	33.1	33.08	34.14	33.1	31.08	32.14	33.2	113.8	97.2	24.9	47.3	51.3	14	14	
1-1/4" (32mm)	40.72	42.28	34.9	36.72	38.28	34.8	40.72	42.28	34.9	40.72	42.28	34.9	38.72	40.28	34.8	127.5	119.2	31.9	55.8	57.5	11.5	11	
1-1/2" (40mm)	47.66	48.32	44.9	47.66	48.32	44.9	47.66	48.32	44.9	47.66	48.32	44.9	49.66	50.32	44.8	153.6	134.1	37.8	65.5	69.2	11.5	11	
2" (50mm)	58.56	60.21	48.4	58.56	60.21	48.4	58.56	60.21	48.4	58.56	60.21	48.4	61.56	63.21	48.5	171.5	153.7	49.8	76.7	76.41	11.5	11	

Male Assembled Ball Valve

CT-07(1/2"~2") | 外牙組合式球閥

產品特色 Product Features

- 球仔與閥體俱獨特密封座設計，保證球閥轉動流暢、氣密良好。
- 本球閥採非鉛系安定劑之硬質PVC材質，無重金屬、無毒、無味。
- 把手、芯軸、塑膠球皆採ABS材質，耐候性佳、耐用性長。
- 芯軸採雙層O環設計，氣密性更佳。
- 每個閥體皆經多重壓力測試，以確保出廠高標準。
- Distinctive design of the seat where it is between on the ball and body.
- It guarantee that tightness is good while turn on or off ball valve.
- The element of PVC ball valve is not to add lead, no heavy metal, no poison, no smell.
- Both handle and ball use stainless material (SUS 304) which is durable and not to get rusty.
- Axis use double o-ring which get better airtight.
- Every ABS Handle ABS Ball Valve pass multiple pressure test which guarantee



Thread End

- NPT, BSPT

Socket End

- CNS, ANSI, BS, JIS, DIN

NO	Parts	Q'TY	Material
1	Stem	1	UPVC/CPVC/ABS
2	Handle	1	ABS
3	O-Ring	2	NBR/EPDM/VITON
4	Body	1	UPVC/CPVC/ABS/PP
5	Ball	1	UPVC/CPVC/ABS
6	Seat	2	TPR/FKM
7	Cap	1	UPVC/CPVC/ABS/PP

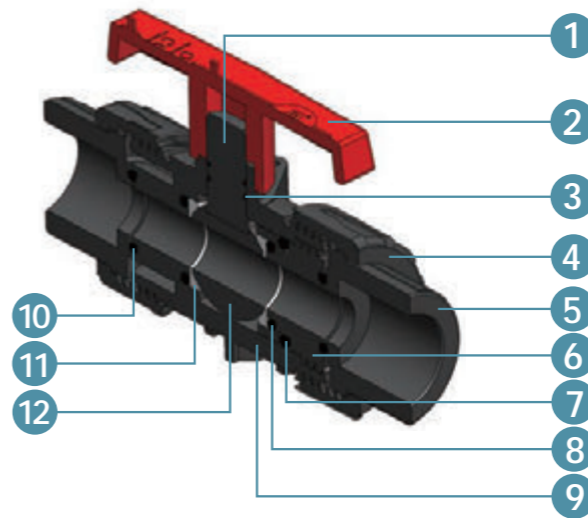
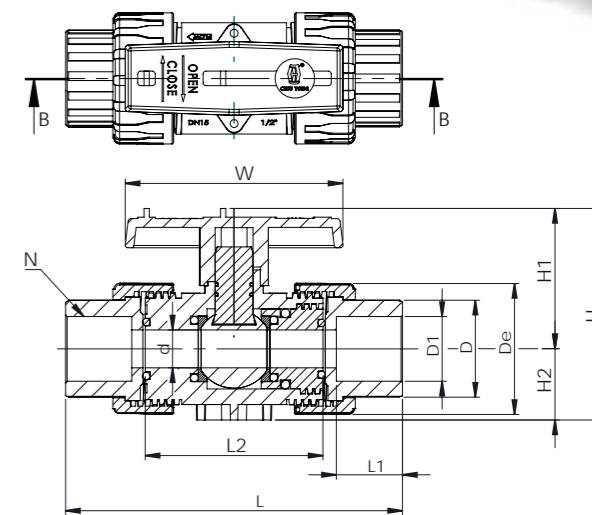
SIZE	CNS			JIS			ANSI			BS			DIN			L	H	d	D	W	N		
	D1	D2	L1	D1	D2	L1	D1	D2	L1	D1	D2	L1	D1	D2	L1						NPT	BSPT	
1/2"	(15mm)	21.72	22.16	26.4	21.72	22.16	26.4	20.98	21.48	26.6	20.98	21.48	26.6	19.98	20.48	26.5	89	64.7	14.9	32.7	53	14	14
3/4"	(20mm)	25.62	26.36	30.4	25.62	26.36	30.4	26.22	27.04	30.6	26.22	27.04	30.6	24.22	25.04	30.5	105	77.4	19.9	37.7	57	14	14
1"	(25mm)	32.82	34.12	33.3	32.82	34.12	33.3	33.08	34.14	33.1	33.08	34.14	33.1	31.08	32.14	33.2	112	87.8	24.9	47.3	70	11.5	14
1-1/2"	(40mm)	40.72	42.28	34.9	36.72	38.28	34.8	40.72	42.28	34.9	40.72	42.28	34.9	38.72	40.28	34.8	152	114.1	31.9	55.8	88	11.5	11
2"	(50mm)	47.66	48.32	44.9	47.66	48.32	44.9	47.66	48.32	44.9	47.66	48.32	44.9	49.66	50.32	44.8	168	136.6	37.8	65.5	99	8	11
1" x 3/4"	(25mm)	25.62	26.36	30.4	25.62	26.36	30.4	26.22	27.04	30.6	26.22	27.04	30.6	24.22	25.04	30.5	105	77.4	19.9	37.7	57	11.5	11
1-1/2" x 1"	(40mm)	32.82	34.12	33.3	30.82	32.12	33.2	33.08	34.14	33.1	33.08	34.14	33.1	31.08	32.14	33.2	120	87.8	24.9	47.3	70	11.5	11
2" x 1-1/2"	(50mm)	40.72	42.28	34.9	36.72	38.28	34.8	40.72	42.28	34.9	40.72	42.28	34.9	38.72	40.28	34.8	154	114.1	31.9	55.8	88	8	11

Double Union Ball Valve

CT-10(1/2"~2") | 雙由令球閥

產品特色 Product Features

- 安裝容易，快速維修更換。
- 可同時當由令及閥門使用。
- 可安裝電動及氣壓缸 (ISO 5211)。
- 具有耐酸鹼特性。
- Easy to install, quick repair and replacement.
- Can be used at the same time as the valve and valve.
- Electric and pneumatic cylinders (ISO 5211) can be installed.
- With acid and alkali characteristics.



Thread End

- NPT, BSPT

Socket End

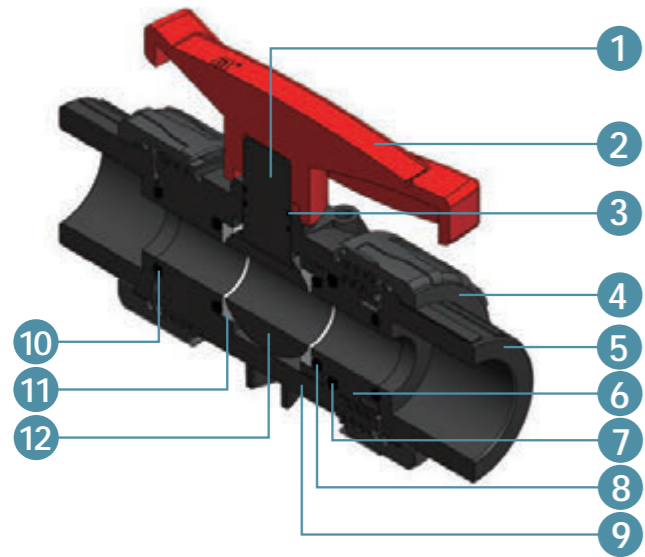
- CNS, ANSI, JIS, BS, JIS, DIN

NO	Parts	Q'TY	Material
1	Stem	1	UPVC/CPVC
2	Handle	1	ABS
3	Stem O-Ring	2	EPDM/FPM
4	Union Nut	2	UPVC/CPVC
5	End Connector	2	UPVC/CPVC
6	Seal Carrier	1	UPVC/CPVC
7	Carrier O-Ring	1	EPDM/FPM
8	Seat O-Ring	2	EPDM/FPM
9	Body	1	UPVC/CPVC
10	Union O-Ring	2	EPDM/FPM
11	Seat Seal	2	PTFE
12	Ball	1	UPVC/CPVC

SIZE	CNS		JIS		ANSI		DIN		L	L2	H1	H2	d	D	De	W	N			
	D1	L1	D1	D2	D1	L1	D1	L1									NPT	BSPT	BSPF	
1/2"	(15mm)	22	22.5	22	22.5	21.34	22.5	20	20	116	62	49	23.5	13	32	46	74	14	14	14
3/4"	(20mm)	26	25.7	26	25.7	26.67	25.7	25	23	133	72	60	29	19	38	56	87	14	14	14
1"	(25mm)	34	28.9	32	28.9	33.4	28.9	32	26	150	80	68	35	25	45	66	100	11.5	11	11
1-1/4"	(32mm)	42	33.8	38	33.8	42.16	33.8	40	31	168	87	76	42.5	31	55	82	110	11.5	11	11
1-1/2"	(40mm)	48	35	48	35	48.26	35	50	34	173	94	89	50.5	40	67	98	121	11.5	11	11
2"	(50mm)	60	38.5	60	38.5	60.32	38.5	63	38.5	206	112	107	61	50	81	120	147	11.5	11	11

Double Union Ball Valve

CT-10 (2-1/2"~4") | 雙由令球閥



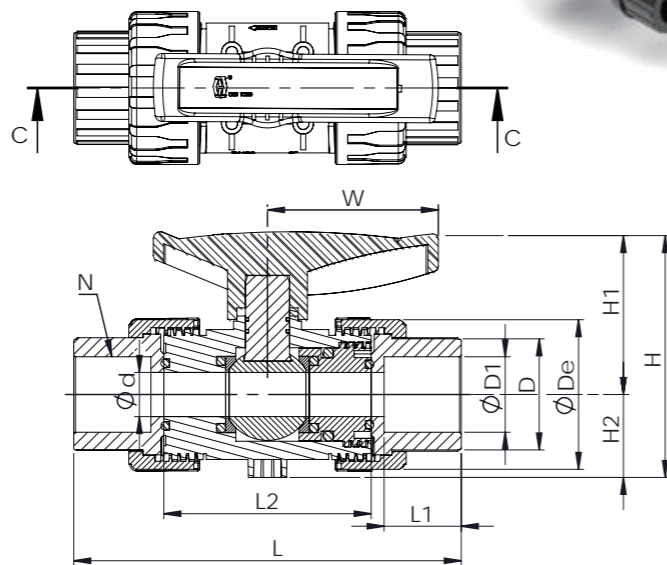
Thread End

- NPT, BSPT

Socket End

- CNS, ANSI, BS, JIS, DIN

NO	Parts	Q'TY	Material
1	Stem	1	UPVC/CPVC
2	Handle	1	ABS
3	Stem O-Ring	2	EPDM/FPM
4	Union Nut	2	UPVC/CPVC
5	End Connector	2	UPVC/CPVC
6	Seal Carrier	1	UPVC/CPVC
7	Carrier O-Ring	1	EPDM/FPM
8	Seat O-Ring	2	EPDM/FPM
9	Body	1	UPVC/CPVC
10	Union O-Ring	2	EPDM/FPM
11	Seat Seal	2	PTFE
12	Ball	1	UPVC/CPVC



UNIT:mm

SIZE	CNS		JIS		ANSI		DIN		L	L2	H1	H2	d	D	De	W	N		
	D1	L1	D1	D2	D1	L1	D1	L1									NPT	BSPT	BSPF
2-1/2" (65mm)	76	45	76	45	73.02	45	75	45	254	147	140	82	75	92	162	118	8	11	11
3" (80mm)	89	51	89	51	88.9	48	90	51	262	147	140	82	75	108	162	118	8	11	11
4" (100mm)	114	61	114	61	114.3	57.5	110	61	311	177	185	111	100	134	220	140	8	11	11

CPVC Double Union Ball Valve

CT-12(1/2"~4") | CPVC雙由令球閥

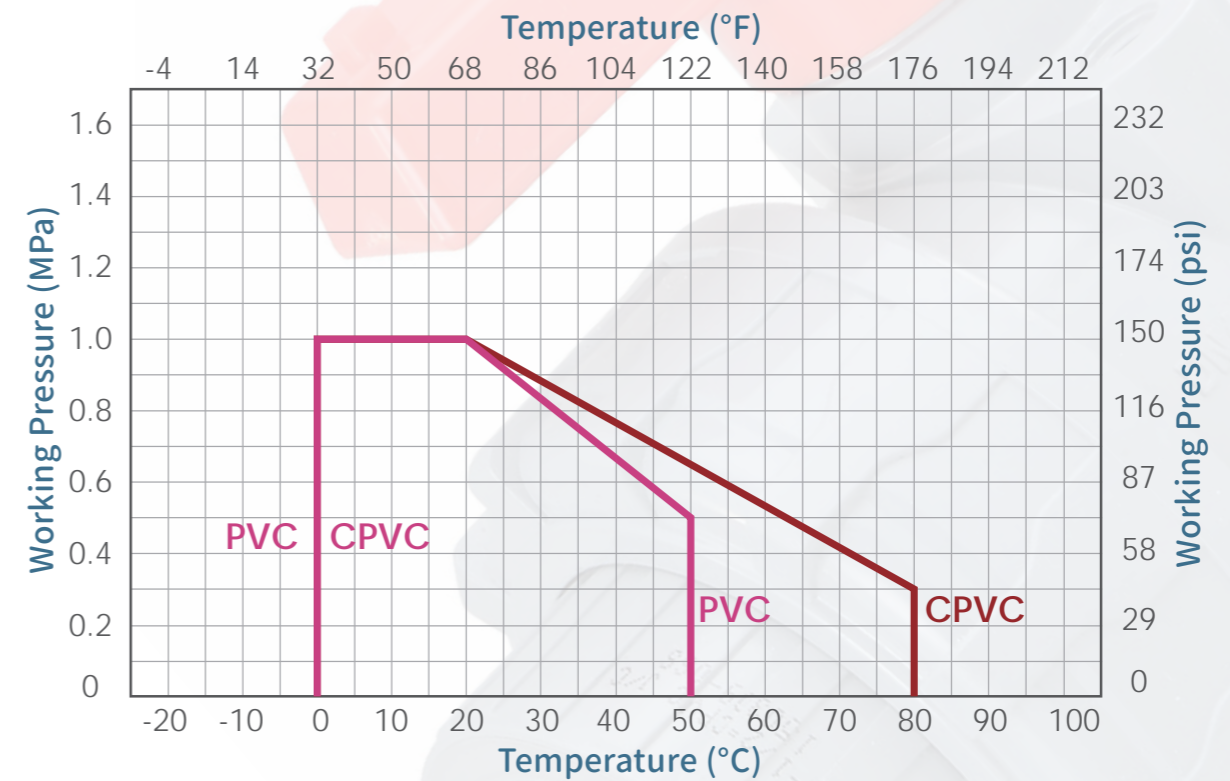
產品特色 Product Features

- CPVC採日本系統原料，可耐高溫近攝氏100°C及優異抗腐蝕性，屬工業級材質。
- 化學穩定性高，有極佳的耐候性，使用壽命長。
- O-Ring使用Viton材質，Seat使用PTFE材質，兩者均耐溫攝氏200°C-250°C。
- CPVC adopts Japanese system raw materials, can withstand high temperature up to 100°C and excellent corrosion resistance, and is an industrial grade material.
- High chemical stability, excellent weather resistance and long service life.
- O-Ring uses Viton material, Seat uses PTFE material, both are temperature resistant to 200 °C -250 °C



Pressure Loss Calculation Formula

- $\Delta P = (Q/Cv)^2$
- ΔP : Pressure Drop
- Q : Flow in GPM
- Cv : Flow Coefficient



Electric Actuator Double Union Ball Valve

CT-14(1/2"~4") | 電動雙由令球閥

產品特色 Product Features

- 外殼：
防水級數IP67 (水下一米，30分鐘)，可適用於戶外各種環境。
殼罩部份使用耐高溫、耐撞擊等特性之鋁合金。
耐酸鹼部份可做3-5道漆塗層或 EPOXY 1道塗層 (選購)。
- 馬達：
體積小、低耗電、大扭力。全系列馬達絕緣等級為F級。
AC馬達內部標準均配有過熱保護裝置，有效避免馬達過熱故障。
- 開度指示：
全系列電動驅動器產品均在頂部配有機械式指針開度指示器。
也可經由配線至控制箱，由指示燈顯示開度位置。
- 手動裝置：
全系列電動驅動器均配有手動裝置，提供停電時操作，
可使用扳手或是手輪操作(依型號有所不同)。
- 閥體銜接座：
直接鎖入組合需符合 ISO 5211 規範。
不符合 ISO 5211 規範或使用蒸汽、高溫流體時，需採用托架式連接組合。
- 工作條件：
環境溫度 -10°C ~ 60°C
濕度 30% ~ 95%
- 特殊電壓：
例：三相 220V / 380V / 440V 等，可依客戶需求訂製 (JH-150起)。
- Enclosure：
IP67 rated waterproof and dustproof enclosure. The enclosure is made of Aluminum enclosure which can resist against heat and alkali. For resist against acid, can do plating 3-5 layers or epoxy 1 layer is optional.
- Motor：
It is small, low consumption, and has large torque. The insulation class of all models is F class. There is overheating protection device in the motor, which can protect the motor from overheating.
- Position Indicator：
All models have a constant mechanical position indicator on the top of the actuator cover to indicate the position of the valve.
It can also be wired to the control box, and it will show the opening position via indicator signal.
- Manual Override Device：
There are manual override device in the electric actuator, which is used when the power supply is cut. You can use wrench or hand wheel to adjust.
- Flange / Mounting Type (ISO 5211)：
JH-10 to JH-3500 provides direct mounting on ISO 5211 valves. If the valve doesn't apply with ISO 5211, the fluid is steam or other high temperature fluid, it needs to use the mounting kit to mount the electric actuator and valve.
- Working condition：
Ambient temperature -10°C - 60°C
The Humidity 30% - 95%
- Special Voltage：
For example : three-phase voltage 220V / 380V / 440V is available. (Start from JH-150).



Double Union 雙由令系列



CT-13

- Size : 1/2" to 4"
- Material : PVC
- Socket End : CNS, ANSI, BS, JIS, DIN
- Thread End : NPT, BSPT

Gear Type Double Ball Valve 齒輪式雙由令球閥

CT-15

- Size : 1/2" to 4"
- Material : PVC
- Socket End : CNS, ANSI, BS, JIS, DIN
- Thread End : NPT, BSPT

AIR TORQUE 氣缸

- 鋁合金擠製一體成型的本體，外型簡潔。
- 本體內、外部均做陽極防鏽處理。
- 雙排齒、齒輪式緊密的設計結構。
- 缸體各具有獨立的角度行程調整螺絲，可在0°和90°間有±15°的調整範圍。

工作條件

- 操作供應的氣源為:4-8Bar。
- 適合作業環境溫度:-20°C~+80°C。



Single(Double)- Acting Pneumatic Actuator Double Union Ball Valve 單(雙)動氣動雙由令球閥

Check Valve

逆止閥系列

產品特色

- 接口有平口或牙口。
- 安裝簡易、操作方便。
- 耐熱、耐高壓，使用壽命長。
- 每個閥體皆經壓力測試後出廠，滲漏率最低。



CT-20

- Size : 3/4" to 2"
- Material : PVC
- Socket End :
- CNS, JIS, BS, ANSI, DIN



Product Features

- Easy to install and operate.
- Heat-resistant, pressure-resistant, long life span.
- Connector have SOCKET or THREAD types.
- Each valve pass pressure test, lowest leaking rate.

CT-21

- Size : 2-1/2" to 6"
- Material : PVC
- Socket End : CNS, JIS, BS, ANSI
- Thread End : NPT, BSPT



CT-23

- Size : 1/2" to 3"
- Material : PVC
- Socket End : CNS, JIS, BS, ANSI, DIN
- Thread End : NPT, BSPT



無彈簧
NO Spring

Union Check Valve

由令式逆止閥

Check Valve

逆止閥系列



CT-24

- Size : 1/2" to 4"
- Material : UPVC
- Socket End : CNS, JIS, BS, ANSI, DIN
- Thread End : NPT, BSPT

Two Union Ball Check Valve

雙由令球型逆止閥



CT-26

- Size : 1/2" to 8"
- Material : CPVC
- Socket End : ANSI, JIS, DIN

CPVC Swing Check Valve (Flange)

CPVC 擺動式逆止閥 (法蘭口)



CT-25

- Size : 2-1/2" to 6"
- Material : PVC
- Socket End : CNS, JIS

Flange Check Valve

法蘭口逆止閥



CT-27

- Size : 3/4" to 2"
- Material : PVC
- Socket End : CNS, JIS

Two Pieces Type Check Valve

雙截式逆止閥

Gravity Check Valve

重力式逆止閥

Swing Check Valve

擺動式逆止閥

Spring Check Valve

彈簧式逆止閥



CT-22

- Size : 1/2" to 4"
- Material : PVC
- Socket End : CNS, JIS, BS, ANSI, DIN
- Thread End : NPT, BSPT

Union Check Valve

由令式逆止閥

CPVC Swing Check Valve (Flange)

CPVC 擺動式逆止閥 (法蘭口)

Two Pieces Type Check Valve

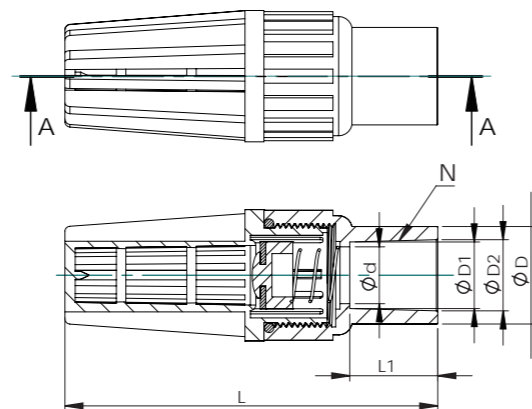
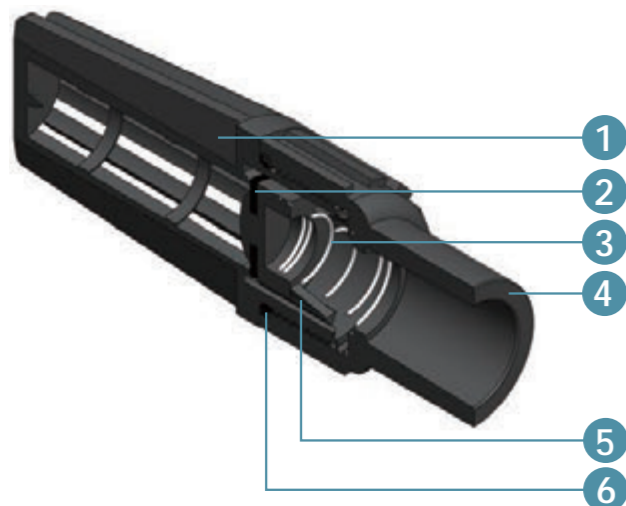
雙截式逆止閥

Foot Valve

CT-30 (3/4"~3") | 套管底閥

產品特色 Product Features

- 接口有平口或牙口。
- 安裝簡易、操作方便。
- 耐熱、耐高壓，使用壽命長。
- 每個閥體皆經壓力測試後出廠，滲漏率最低。
- Easy to install and operate.
- Heat-resistant, pressure-resistant, long life span.
- Connector have SOCKET or THREAD types.
- Each valve pass pressure test, lowest leaking rate.



Thread End

- NPT, BSPT

Socket End

- CNS, ANSI, BS, JIS, DIN

NO	Parts	Q'TY	Material
1	Seat	1	UPVC/CPVC/PP
2	Washer	1	NBR/EPDM/VITON
3	Spring	1	SUS 304
4	Cap	1	UPVC/CPVC/PP
5	Plugs	1	UPVC/CPVC/PP
6	O-Ring	1	NBR/EPDM/VITON

SIZE	CNS			JIS			ANSI			BS			DIN			L	d	D	N	
	D1	D2	L1	D1	D2	L1	D1	D2	L1	D1	D2	L1	D1	D2	L1				NPT	BSPT
3/4" (20mm)	25.34	26.48	32.5	25.34	26.48	32.5	26.02	26.92	32.8	26.02	26.92	32.8	24.45	25.58	31.1	140.1	19.88	35.6	14	14
1" (25mm)	33.36	34.38	39.4	31.62	32.66	38.3	33.12	33.62	39.6	33.12	33.62	39.6	31.62	32.66	38.3	154.6	25.52	42.2	11.5	11
1-1/4" (32mm)	41.36	42.64	39.7	37.37	38.64	39.5	41.36	42.64	39.7	47.36	42.64	39.7	39.36	40.64	39.6	154.8	25.62	50.4	11.5	11
1-1/2" (40mm)	47.72	48.42	53.2	47.72	48.42	53.2	47.72	48.42	53.2	47.72	48.42	53.2	49.58	50.82	53.6	205.6	39.98	62.4	11.5	11
2" (50mm)	59.52	60.16	59.9	59.52	60.16	59.9	59.52	60.16	59.9	59.52	60.16	59.9	62.64	63.82	60.2	211.8	50.88	72.9	11.5	11
3" (80mm)	88.58	89.92	74.4	88.58	89.92	74.4	88.58	89.92	74.4	88.58	89.92	74.4	89.58	90.92	74.6	301.1	77.62	103.4	8	11

UNIT:mm

Foot Valve

底閥系列



CT-31

- Size : 2-1/2" to 6"
- Material : PVC
- Socket End : CNS, JIS, BS, ANSI
- Thread End : NPT, BSPT

Swing Foot Valve

擺動式底閥



CT-33

- Size : 1/2" to 4"
- Material : PVC
- Socket End : CNS, JIS, BS, ANSI, DIN
- Thread End : NPT, BSPT

Double Union Ball Foot Valve

雙由令球型底閥



CT-35

- Size : 1/2" to 4"
- Material : PVC
- Socket End : CNS, JIS, BS, ANSI, DIN
- Thread End : NPT, BSPT

Foot Ball Valve (Vertical)

福特球型凡而(直式)



CT-32

- Size : 2-1/2" to 6"
- Material : PVC
- Socket End : CNS, JIS

Flange Foot Valve

法蘭口底閥



CT-34

- Size : 1" to 4"
- Material : PVC

Hose End Foot Valve

進水管底閥

Butterfly Valve

CT-36(2"~8") | 把手式蝶閥

產品特色 Product Features

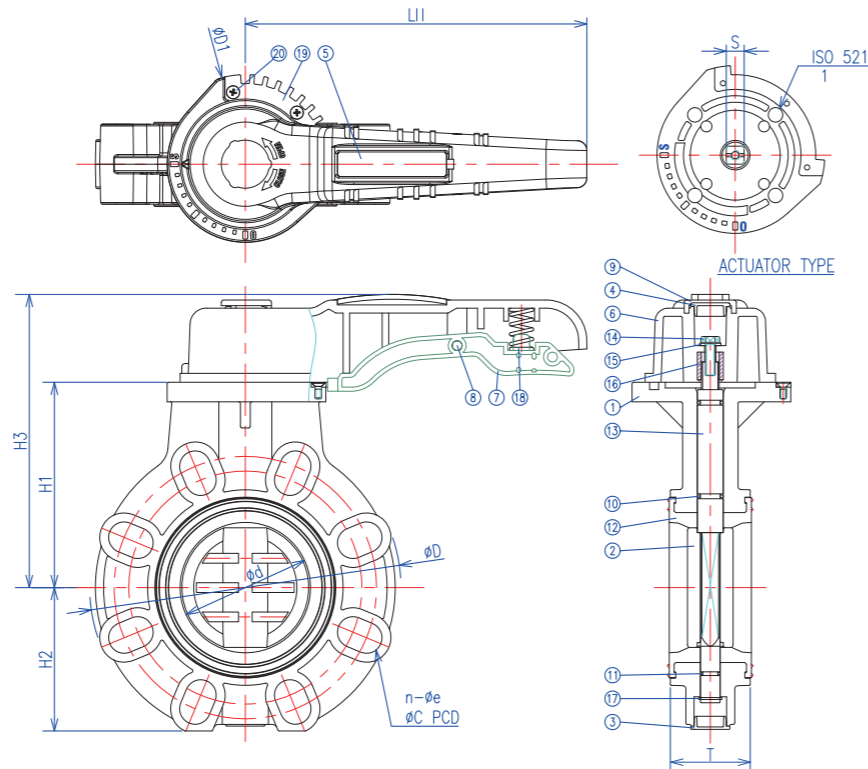
- 精準流量控制。
- 較低操作力矩。
- 可安裝電動或氣壓缸(ISO 5211)。
- 把手可安裝鎖，可控制開關。
- 適合ASTM、DIN及JIS系統通用的螺柱孔。
- Universal bolt holes suitable for ASTM、DIN and JIS systems.
- Precision flow control.
- Lower operation torque.
- For installing electric or Pneumatic cylinder (ISO 5211)
- Handle can install lock which can control switch

Socket End

- CNS, ANSI, BS, JIS, DIN



NO	Parts	Q'TY	Material
1	Body	1	UPVC/CPVC
2	Disc	1	UPVC/CPVC
3	Body Cap	1	ABS
4	Handle Cap	1	ABS
5	Handle Cap	1	ABS
6	Handle	1	ABS
7	Small Handle	1	PPG
8	PIN	1	PPG
9	Clear Cap	1	AS
10	Stem O-Ring	2	EPDM/FPM
11	Stem O-Ring	1	EPDM/FPM
12	Seat	1	EPDM/FPM
13	Stem	1	SUS 410
14	Bolt	1	SUS 304
15	Washer	1	SUS 304
16	Insert	1	SUS 304
17	C-Ring	1	SUS 304
18	Spring	1	SUS 304
19	Gear	1	SUS 304
20	Bolt	3	SUS 304



SIZE	D	T	LH	H1	H2	H3	d	ANSI		DIN		JIS		D1	S	ISO5211
								ØC	n-Øe	ØC	n-Øe	ØC	n-Øe			
2" (50mm)	156	43	210	103	72	158	57	120.7	4-19	125	4-18	120	4-19	110	11	F05 / F07
2-1/2" (65mm)	177	46	210	114	80	168	68	139.5	4-19	145	4-18	140	4-19	110	11	F05 / F07
3" (80mm)	191	49	210	126	88	180	78	152.4	4-19	160	8-18	150	8-19	110	11	F05 / F07
4" (100mm)	223	56	210	143	103	198	98	190.5	8-19	180	8-18	175	8-19	110	14	F07
5" (125mm)	253	64	280	170	117	234	122	215.9	8-19	210	8-18	210	8-23	156	17	F07 / F10
6" (150mm)	279	10	280	181	129	245	145	241.5	8-23	240	8-23	240	8-23	156	17	F07 / F10
8" (200mm)	337	71	330	218	162	287	195	298.5	8-23	295	8-23	290	12-23	156	22	F10

Butterfly Valve

蝶閥系列

產品特色 Product Features

- 齒輪式手動開關，流量控制可微調，操作省力簡單。
- 具耐酸鹼特性。
- Gear type manual switch, flow control can be fine-tuned, easy to operate and easy.
- With acid and alkali resistance.

CT-37

- Size : 2" to 14"
- Material : PVC, CPVC
- Socket End : ANSI, JIS, DIN



Gear Type Butterfly Valve

齒輪式蝶閥



CT-38

- Size : 2" to 8"
- Material : PVC
- Socket End : CNS, JIS, BS, ANSI, DIN

Electric Actuator Butterfly Valve

電動蝶閥



CT-38

- Size : 2" to 8"
- Material : PVC
- Socket End : CNS, JIS, BS, ANSI, DIN

Single(Double)-Acting Pneumatic Actuator Butterfly Valve

單(雙)動氣動蝶閥

Flange

CT-40(1/2"~14") | 法蘭片

產品特色 Product Features

- 本球閥採非鉛系安定劑之硬質PVC材質，無重金屬、無毒、無味。
- The element of PVC ball valve is not to add lead, no heavy metal, no poison, no taste.

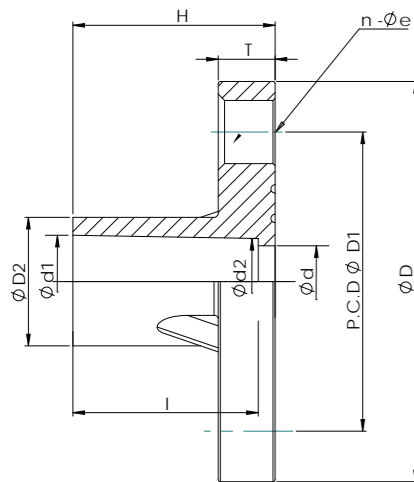
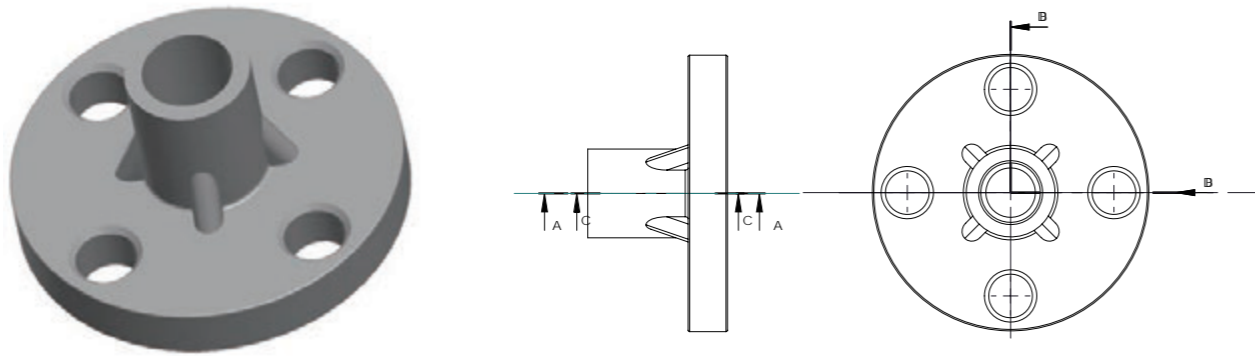
適用範圍 Application

- 法蘭片廣泛地應用於需流量控制、壓力控制、栓閉之設備。
- 適用於水製程系統以及一般民生相關之輸送排水系統 (大樓、工廠、環境工程廢水處理、工業應用、船舶設備、游泳池、農魚業灌溉等。)
- Flange is used in a wide range of applications, including flow control and shutoff.
- It is suitable for water supply to house, waste water treatment, agriculture, agricultural irrigation, multiple industrial use, etc.



Socket End

- CNS, ANSI, JIS, DIN

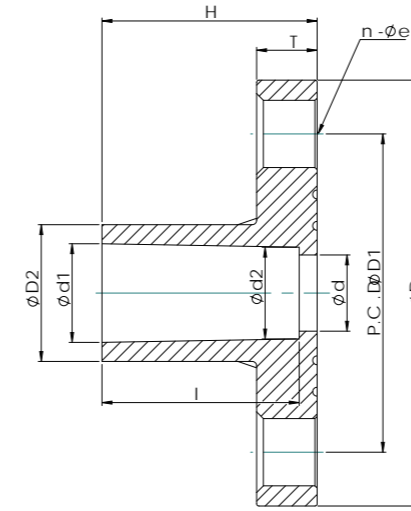


SIZE	ØD	ØD1	ØD2	ød	ød1	ød2	H	T	I	UNIT:mm n-øe
1/2" (15mm)	94.8	70.2	30.18	17.26	22.26	21.56	46.72	13.53	43.46	4-15
3/4" (20mm)	99.46	74.08	34.24	21.12	26.24	25.58	51.24	15.46	44.28	4-15
1" (25mm)	123.86	80.38	42.04	26.82	34.24	33.6	50.58	15.02	44.47	4-18
1-1/4" (32mm)	130.03	95.34	50.62	35.82	42.56	40.62	52.02	15.26	45.08	4-20
1-1/2" (40mm)	138.06	102.52	59.90	40.32	48.26	47.84	66.1	15.8	60.8	4-18
2" (50mm)	152.6	117.5	71.44	52.62	60.24	59.78	67.7	16.02	63.72	4-18
2-1/2" (65mm)	174	140.4	88.6	66.14	77.04	75.8	85	20	77.86	4-19
3" (80mm)	181	147	103	78	90	87.8	85	19	73	8-19
4" (100mm)	208	170	129	99	115	110	109	20	94	8-19
5" (125mm)	248	208	160	122	104	103	101	19	97	8-23
6" (150mm)	278	239	186	144	166	162	140	27	125	8-23
8" (200mm)	333	292	238	204	217	210	167	30	157	12-22
10" (250mm)	404	359	290	250	270	260	195	33	180	12-24
12" (300mm)	450	404	345	300	320	315	220	34	208	16-24
14" (350mm)	492	445	402	345	374	368	300	34	288	16-25

Flange

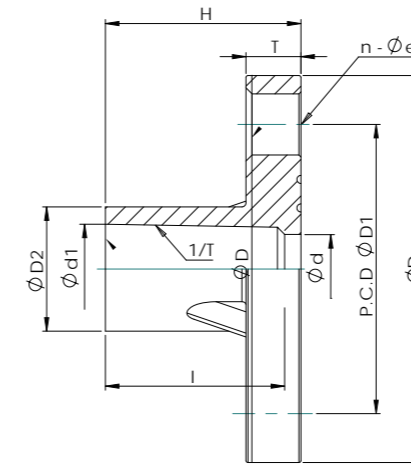
CT-40 | 法蘭片

ANSI 150PSI FLANGE (one piece)



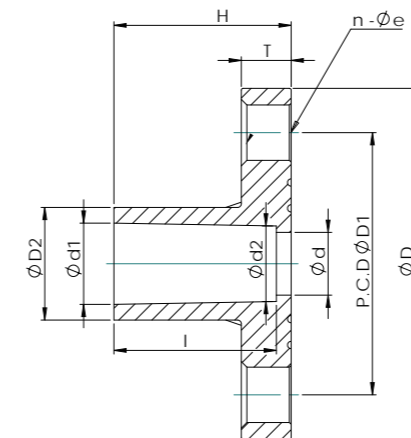
SIZE	ØD	ØD1	ØD2	ød	ød1	ød2	H	T	I	UNIT:mm n-øe
1/2" (15mm)	89	61	33	15	21.54	21.23	25	11	22.22	4-16
3/4" (20mm)	98	70	40	25	26.87	26.57	29	12	25.4	4-16
1" (25mm)	103	79	48	31	33.62	33.27	31.7	14	28.58	4-16
1-1/4" (32mm)	117	89	57	40	42.42	42.04	35	16	31.75	4-16
1-1/2" (40mm)	127	98	65	46	48.56	48.11	38	17.5	34.93	4-16
2" (50mm)	152	121	78	57.5	60.63	60.17	41.3	19	38.1	4-19
2-1/2" (65mm)	178	140	92	70	73.38	72.85	47.6	22	44.45	4-19
3" (80mm)	191	152	109	78	89.31	88.7	50.8	23.5	47.63	4-19
4" (100mm)	229	191	139	111.5	114.76	114.07	61	24	57.15	8-19
5" (125mm)	254	216	167	136	141.81	141	82.5	28.5	66.7	8-23
6" (150mm)	280	241	186	166	168.83	168	142	25.5	76.2	8-23
8" (200mm)	342	299	255	209	219.84	218.7	131	28	102	8-23
10" (250mm)	405	362	291	246	273.84	272.67	170	31	123	12-25
12" (300mm)	480	432	343	296	324.61	323.47	173	33	165	12-25

JIS 10K



SIZE	ØD	ØD1	ØD2	ød	ød1	H	T	I	1/T	UNIT:mm
1/2" (15mm)	95	70	31	18	22.4	35	14	30	1/34	
3/4" (20mm)	100	75	35	22	26.45	40	15	35	1/34	
1" (25mm)	125	90	42.5	25	32.55	46	15	40	1/34	
1-1/4" (32mm)	135	100	48.5	30	38.6	50.5	16	44	1/34	
1-1/2" (40mm)	140	105	61	41	48.7	61.5	16	55	1/37	
2" (50mm)	155	120	73	52	60.8	71	20	63	1/37	
2-1/2" (65mm)	175	140	90	67	76.6	70	22	34	1/48	
3" (80mm)	185	150	105	78	89.6	73	22	64	1/49	
4" (100mm)	210	175	132	100	114.7	93	22	84	1/56	
5" (125mm)	250	210	158	125	140.8	114	24	104	1/58	
6" (150mm)	280	240	186	146	166	142	26	132	1/63	
8" (200mm)	330	290	238	196	217.5	161	28	145	1/50	
10" (250mm)	400	355	289	247	267.7	167	30	155	1/55	
12" (300mm)	445	400	341	298	318.7	167	30	155	1/55	

DIN PN10



SIZE	ØD	ØD1	ØD2	ød	ød1	ød2	H	T	I	UNIT:mm n-øe
1/2" (15mm)	95	65	28	16	20.3	19.9	24	12.5	21	4-14
3/4" (20mm)	105	75	33	21	25.3	24.9	21.5	14	19	4-14
1" (25mm)	115	85	41	28	32.3	31.9	24.5	14	22	4-14
1-1/4" (32mm)	140	100	50	36	40.3	39.9	28	14	26	4-18
1-1/2" (40mm)	150	110	61	45	50.3	49.9	33.5	16	31	4-18
2" (50mm)	164	125	76	57	63.3	62.9	41	16	38	4-18
2-1/2" (65mm)	185	145	90	69.5	75.36	74.9	46	16	43.5	4-18
3" (80mm)	200	160	108	82	90.5	89.9	55	18	50.5	8-18
4" (100mm)	220	180	131	103	110.6	109.9	65	18	60.5	8-18
5" (125mm)	254	210	167	136	140.85	140.05	82.5	25.5	77	8-23
6" (150mm)	280	240	186	146.5	160.85	160.05	141.5	25.5	132	8-23
8" (200mm)	340	295	255	215	226.25	225.05	131	28	119	8-23
10" (250mm)	396	350	290	240	251.45	250.05	149	31	131	12-23
12" (300mm)	445	400	362	303	316.85	315.05	182	33	164	12-23

Connector

連接頭

CT-40

- Size : 1/2" to 12"
- Material : PVC
- Socket End : CNS, JIS



Blind Flange

盲法蘭

CT-41

- Size : 1/2" to 14"
- Material : SBR
- End Type: CNS, JIS
- Working Pressure : 150 PSI



Gasket

法蘭膠墊

CT-42

- Size : 3/8" to 4"
- Material : PVC, CPVC
- Connection Type : IPS



Compression Coupling

快速接頭

CT-43

- Size : 1/2" to 4"
- Material : PVC
- Socket End : CNS, JIS, BS, ANSI, DIN
- SThread End : NPT, BSPT



Union

由令

CT-44

- Size : 1/2" to 4"
- Material : PE, PVC, SE
- Connection Type : BSPT, NPT



Tank Connector

水桶接頭

CT-44

- Size : 1/2" to 4"
- Material : EPDM
- Socket End : CNS, JIS



Rubber Ring

橡膠束環

Connector

連接頭

CT-45

- Size : 3/4"x1/2" to 2"x1-1/2"
- Material : PVC
- Connection Type : BSPT



Reducing Bush

水塔卜申

CT-47

- Size : 1/2" to 1"
- Material : PVC
- Connection Type : BSPT, NPT



Extended Brass Insert For Water Tower - Intake

水塔加長套銅彎頭-進水口

CT-48

- Size : 1"x3/4" to 1-1/2"x1"
- Material : PVC
- Connection Type : BSPT, NPT



Water Tower 45° Valve Connector

水塔45度閥接頭

CT-49

- Size : 1-1/2" to 6"
- Material : PVC



Drain Check Valve

排水管逆止閥



CT-46

- Size : 1/2" to 3"
- Material : PVC, CPVC
- Socket End : ANSI, JIS, DIN

Y Type Strainer

Y型過濾器

Connector

連接頭



CT-50

- Size : 1/2" to 8"
- Material : UPVC, CPVC, PVDF, PP
- Connection Type : ANSI, JIS, DIN
- Working Pressure :
1/2"~3" 150 PSI, 4"~6" 72PSI, 8" 43 PSI@73.4°F(23°C)

Diaphragm Valve (Flanged)

法蘭式隔膜閥



CT-51

- Size : 1/2" to 2"
- Material : UPVC, CPVC, PVDF, PP
- Connection Type : ANSI, JIS, DIN, BS
- Working Pressure :
100 PSI@73.4°F(23°C)

Diaphragm Valve

由令式隔膜閥

Brass Insert

套銅



CT-62

- Size : 1/2" to 1-1/4"x1/2"
- Material : PVC
- Connection Type : BSPT x CNS, NPT x ANSI

T.E.E Brass Insert

套銅三通



CT-63

- Size : 1/2" to 2"
- Material : PVC
- Connection Type : BSPT x CNS, NPT x ANSI

Male Thread Brass Insert

套銅外牙接頭

Brass Insert 套銅



CT-60

- Size : 1/2" to 1"x3/4"
- Material : PVC
- Connection Type : BSPT x CNS, NPT x ANSI

Elbow Brass Insert

套銅彎頭



CT-61

- Size : 1/2" to 1"x3/4"
- Material : PVC
- Connection Type : BSPT x CNS, NPT x ANSI

Socket Brass Insert

套銅接頭



CT-64

- Size : 1/2" to 2"
- Material : PVC
- Connection Type : BSPT x CNS, NPT x ANSI

Male Thread Brass Insert

套銅外牙彎頭



CT-68

- Size : 1/2" to 1"
- Material : PVC
- Connection Type : BSPT x CNS, NPT x ANSI

High Pressure Elbow Brass Insert

耐壓套銅彎頭

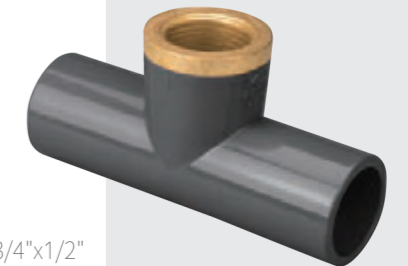


CT-68

- Size : 1/2" to 1"
- Material : PVC
- Connection Type : BSPT x CNS, NPT x ANSI

High Pressure Socket Brass Insert

耐壓套銅接頭



CT-68

- Size : 1/2" to 3/4"x1/2"
- Material : PVC
- Connection Type : BSPT x CNS, NPT x ANSI

High Pressure T.E.E Brass Insert

耐壓套銅三通

ST Brass Insert

ST 束口

產品特色 Product Features

- 加長型ST束口套銅牙龍口彎頭優點較傳統型圓體銅塑彎頭。
- 免去加內外轉接頭麻煩，避免接轉接頭所產生漏水之疑慮。
- 加長型ST束口彎頭由於SUS304不鏽鋼加強環的剛性與韌性，使得力矩超過 670 kgf.cm 都堅若磐石不會漏水!
- 加長型ST束口彎頭雖製造困難，但節省銅材料使售價低於圓體銅塑彎頭，是性價比(C/P Value)非常高的產品!

CT-65



CT-65

- Size : 1/2" to 1"
- Material : PVC
- Connection Type : BSPT x CNS, NPT x ANSI

ST Elbow Brass Insert

ST 束口彎頭

CT-66



CT-66

- Size : 1/2" to 1"
- Material : PVC
- Connection Type : BSPT x CNS, NPT x ANSI

ST Socket Brass Insert

ST 束口接頭

CT-67



CT-67

- Size : 1/2" to 3/4"x1/2"
- Material : PVC
- Connection Type : BSPT x CNS, NPT x ANSI

ST T.E.E Brass Insert

ST 束口三通

Liquid Level Control Switch

液面控制器

CT-73

久統液面控制器是性能優異的自動開關，利用一大一小兩顆水球之不同重量與浮力原理，依水面升降自動控制幫浦抽水或給水之用。

專利編號 : TW Pat.W478701

產品特色 Product Features

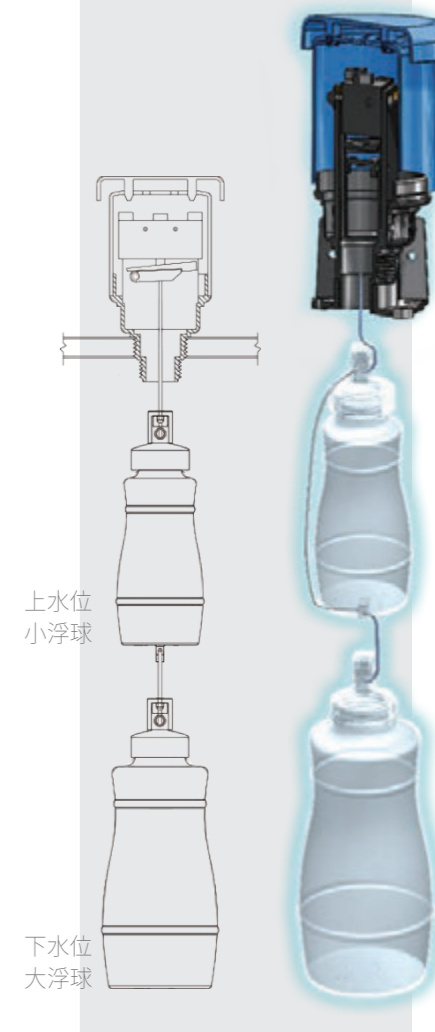
- 耐候性效果加強：添加紫外線吸收劑,光安定效果抗UV與耐熱壽命優異。
- 頂部專利透氣孔：自來水氯氣蒸發快速，有效保持開關精確性及壽命。
- 可調式彈簧繩扣：特殊設計之繩扣，方便調整水位高度。
- 低水位加重水球：於低水位時於更能啟動開關作用，保障性高。
- 食品級HDPE材質：水球材質經SGS檢驗合格無著色劑，確保水源不污染。
- 加長型ST束口彎頭符合美規ASTM D2466耐壓標準，和具有財團法人金屬中心依台灣建築法規耐壓之測試OK檢驗報告。
- Strengthen weather resistance : Add Ultraviolet Light Absorbers which bring excellently light stable and heat-resistant.
- Top patented breathable holes : Chlorine evaporate quickly, keep switch's accuracy and lifetime effectively.
- Adjusted spring buckle : Special buckle design for adjusting water level conveniently.
- Heavier water ball at low water level : asier to switch, guarantee good-using.
- Food-level HDPE material : Water balls' material get SGS approval which without coloring and make sure not to pollute water.

安裝方法 Install

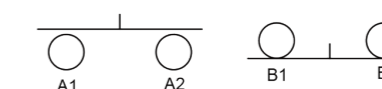
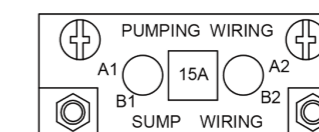
將水球經由繩扣繫緊在控制器下方。控制器之正確固定位置宜在水槽頂部中央，如欲安裝在水槽內側壁，則需注意水球位置避免碰及槽壁。
To fasten the water ball onto bottom of switch by stopper.
The correct location of switch shall be on the center of sink's top.
If want to install switch onto inside of sink's wall, please avoid waterballs not to touch the wall of sink.

規格 Specification

- 電壓 : 220V / 110V, 7.5A / 15A, 60HZ / 50HZ
- Electric Voltage : 220V/110V, 7.5A/15A, 60HZ/50HZ
- 極數 : 單極
- Pole : Unipolar
- 開關壽命 : 斷續100萬次以上
- Switch Lifespan : on/off one million times
- 電氣壽命 : 10萬次以上
- Electric Lifespan : one hundred thousand times to use
- 水面控制範圍 : 0.2 ~ 5公尺
- Control Range : 0.2 ~ 5 m
- 水槽壓力 : 同大氣壓力
- Pressure : same as atmospheric pressure
- 氣溫範圍 : 5°C ~ 80°C
- Temperature : 5°C ~ 80°C
- 適用幫浦最大馬力 : 2.0 HP
- Max.Pump By Direct control : 2.0 HP



開關器設有A .B 處.二個迴路,A端子用於給水, B端子用於抽水。



- A1,A2 無水啟動,滿水停止。
A1 A2 Start without water and Stop if full water
- B1,B2 滿水啟動,無水停止。
B1 B2 Start if full water and Stop without water
- A接點與B接點不可以連接。
A and B Not allow connecting

Fat Plug

CT-74 | 胖牙塞

產品特色 Product Features

- 專利特殊設計：
免敲牆壁，螺絲起子、夾子即可拆卸。
免繞止洩帶，省工、省時、快速、方便。
- 品質認證：
經台灣檢驗科技 SGS高水壓力測試 50kg。
- Patented special design:
No need to damage the wall, easily removed with a screwdriver and clip
No sealing tape is needed, saving time, manpower, and convenience
- Quality Certification:
Taiwan SGS high pressure test 50 kg water pressure



Fat Plug
胖牙塞

Long Plug
長牙塞



免敲牆壁
Do not knock the wall



螺絲起子、夾子即可拆卸
Screwdriver、clip can be removed



免用止洩帶
Free to stop with the tape

Drain

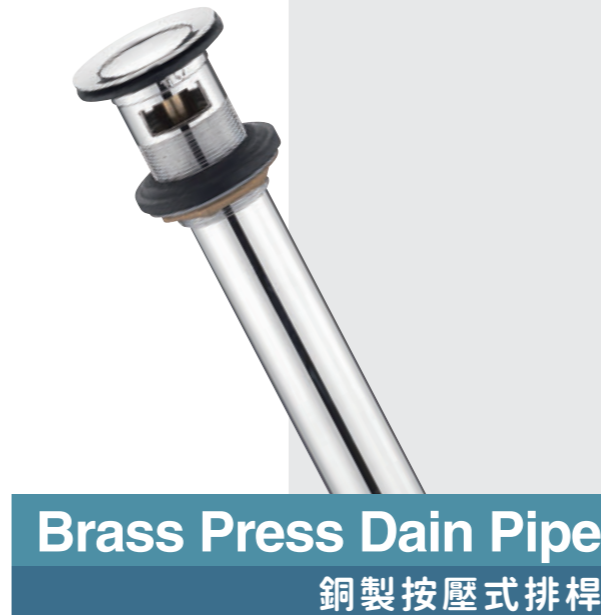
CT-71 | 落水管

產品特色 Product Features

- 專利按壓式落水頭 (有溢水口、無溢水口)
- 特殊衛浴設備專利落水頭組，整組採ABS製作結構嚴密絕不漏水、可耐高溫，免工具好安裝，特殊中空設計好清洗。可有效除臭防蟲。
- SGS品質認證：
保證按壓10萬次。
保證耐100度高溫。
保證耐10%抗酸。(市面上清潔劑 2~6%稀釋鹽酸)
- Patented pressure head (with overflow, no overflow)
- Special sanitary equipment patent falls into the first group, The whole group adopts ABS production structure and it will not leak water. Can be high temperature resistant, tool-free installation, special hollow design and good cleaning.
- It can effectively deodorize and prevent insects.
- SGS quality certification:
Guaranteed to press 100,000 times.
Guaranteed high temperature of 100 degrees.
Guaranteed to resist 10% acid.
(Cleaning agent on the market 2~6% diluted hydrochloric acid)



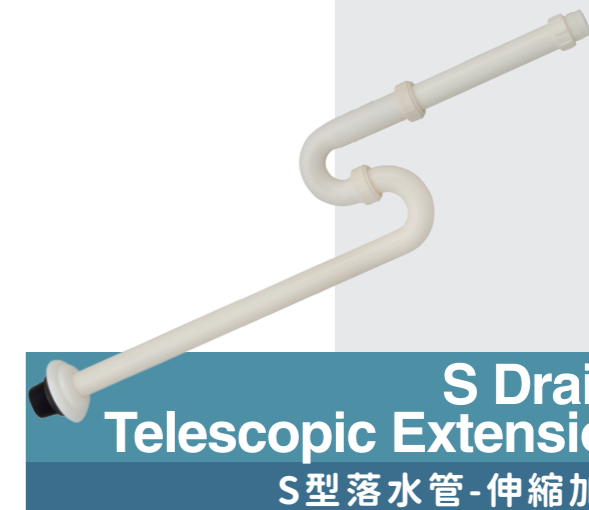
ST Press Drain Pipe
按壓式ST面蓋排桿



Brass Press Dain Pipe
銅製按壓式排桿



P Drain-Telescopic Extension
P型落水管-伸縮加長



S Drain-Telescopic Extension
S型落水管-伸縮加長



P Drain-Cleaning Mouth
P型落水管-清潔口



S Drain-Cleaning Mouth
S型落水管-清潔口



Capsule Shower Head

CT-70 Technology

一體成型出水片
膠囊過濾球

膠囊蓮蓬頭

多重
功效

健康、美肌、香氛。

快速
替換

替換式過濾球，簡單易操作。

省水
增壓

出水量集中，
有效節約家庭用水。

滋潤
保濕

凝膠球內能釋放膠原蛋白等營養素，
促進皮膚的柔嫩度，
讓秀髮柔順、有彈性。

多國專利，仿冒必究
Patented Products. Fake will be prosecuted.

33

PVC Color Hose

CT-70 | PVC彩色軟管

材質
Material
PVC

最高溫度
Max. temperature
≤80°C

水壓
Water pressure
10 - 30 Bar

最小彎曲度
Minimum
bending radius
20

霧銀Fog silver

霧金Fog gold

水藍Water blue

鈦紫Titanium violet

鎳色Nickel

Stainless Steel Hose

不銹鋼軟管

最高溫度
Max. temperature
≤95°C

工作壓力
Working pressure
10 Bar

爆破壓力
Bursting pressure
35 Bar

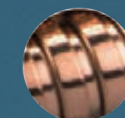
最小彎曲度
Minimum
bending radius
37



鍍金
Golden



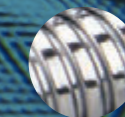
黑古銅
Black bronze



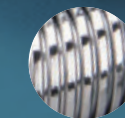
玫瑰金
Rose golden



青古銅
Green bronze



亮銀
Bright silver



亮銀(加密)
Bright silver
(Increase density)



CHIU TONG
奧茲塔
 籬笆

Ostern Fence
CT-80



▶ **Step1**

Take out the fence and according to the area you want to be fenced, arrange the shape you like.



▶ **Step2**

After set up the shape, please insert the appropriate number of bolt to the fence base center and make sure the fence is stable.



▶ **Step3**

Placing completed pictures, it show as the plug filled state.



1 Joining together

Adjust fence main parts snap together.

2 Hollow design

The hollow design make it more easy to use.

3 Cables & Pipes

Fence hollow design can make the cables and pipes random to pull out or plug in.

4 O-ring forks

Easy to insert and pull out.

透過單體元件籬笆款式，除了可以隨著使用者依照空間大小，以喜好增添數量使用之外，同時納入簡易卡件模組，提升整體組裝便利性；

另外有鑑於消費者多元化市場，外觀設計塑膠插銷型態擁有扣環式規劃，可因不同居家戶外環境可透過半客製化改善插銷款式（具不同功能）；

單體塑膠元件中間中空處，除了可以當作固定於土地用途之外，當消費者有需要澆花或使用到水管時候，即可在安裝原件時，同時在底部中空處安裝水管，讓其通過。當需要使用水管線時，可從籬笆內側讓管線從中空洞孔穿出，以便隨處使用與美觀性。

3x3 模組盆栽

Flower Pot CT-81

3x3 Module Potted提供模組多功能與便利性，使用者可選擇單組垂直陳列，彼此錯位與結構固定，避免影響植物生長，頂端處也可作為拿取的把手功能；針對單盆除了可裝飾居家空間，同時底部增加組裝機能性插銷孔，讓消費者可選擇插在土壤或接水盆器，大大改善戶外室內的美觀性。

整體規畫塑膠元件可擁有收納性；單組盆器的上方也可放置不同的功能園藝小器具，如放大鏡(兼記事本)與剪刀，可達到育教娛樂之外，也設計達到操作便利性。



Can us both indoor and outdoor

Just put the collection basin on can be used indoor and outdoor.

Vertical and horizontal stack

multiple ways to arrange in groups.



reddot award 2014 winner

40

Indoor



Outdoor



Color



泛用球閥比較表

泛用球閥比較表

產品型號	CT-01	CT-06	CT-04	CT-03	CT-03	CT-10	CT-11	CT-17	CT-14	
產品圖										
產品名(球閥)	標準型	新型	ST把手塑珠	ST把手鋼珠	ST把手鋼珠 (白鐵芯)	雙由令	法蘭式由令	灌溉	電動雙由令	
尺寸	3/8"~2"	3/8"~6"	3/8"~6"	3/8"~6"	3/8"~6"	1/2"~4"	1/2"~4"	1/2"~4"	1/2"~4"	
規格	台規CNS / 日規JIS / 美規ANSI / 德規DIN					台規CNS / 日規JIS / 美規ANSI / 德規DIN				
牙口	V	V	V	V	V	X	V	V	V	
材質	主體(Body)	UPVC/CPVC/PP	UPVC/CPVC/ABS/PP	UPVC/CPVC/ABS/PP	UPVC/CPVC/ABS/PP	UPVC/CPVC/ABS/PP	UPVC/CPVC	UPVC	UPVC	UPVC/CPVC
	O環(O-Ring)	NBR/EPDM/VITON	NBR/EPDM/VITON	NBR/EPDM/VITON	NBR/EPDM/VITON	NBR/EPDM/VITON	EPDM/FPM	EPDM	EPDM/NBR	EPDM/NBR
	把手(Handle)	UPVC/ABS	ABS	SUS304	SUS304	SUS304	ABS	UPVC	UPVC	UPVC
	芯軸(Stem)	PVC	ABS	BRASS	BRASS	BRASS/SUS304	UPVC/CPVC	UPVC	UPVC	UPVC
	球體(Ball)	UPVC/CPVC/PP	UPVC/CPVC/ABS	ABS	ABS	SUS304	UPVC/CPVC	UPVC	UPVC	UPVC
適用流體	水、空氣、油類、非腐蝕性化學液體					水、空氣、油類、非腐蝕性化學液體				
適用環境	一般民生用水 / 農業灌溉 / 純水輸送系統 / 工程管路系統 / 海水管路系統 / 迴水系統 CPVC適用工業級酸鹼化工環境 / 空調冰水 / 溫泉場所 ※銅芯軸不適用海水管路系統					一般民生用水 / 農業灌溉 純水輸送系統 / 工程管路系統 海水管路系統 / 迴水系統		溫度-10°C~60°C 濕度30%~95% 防水係數:IP67 水下一米30min		
耐壓程度	1/2"~2" PN 16bar@22°C 2-1/2"~4" PN 10bar@22°C 5"~6" PN 6bar@22°C		235psi@73°C 150psi@73°C 100psi@73°C		1/2"~2" PN 16bar@22°C 2-1/2"~4" PN 10bar@22°C 5"~6" PN 6bar@22°C		235psi@73°C 150psi@73°C 100psi@73°C			
耐用壽命 (視日曬狀況而定)	●●●○○	●●●●○	●●●○○	●●●●○	●●●●●	●●●●●	●●●●○	●●●●○	●●●●●	
成本	●●○○○	●●●○○	●●●○○	●●●●○	●●●●●	●●●●●	●●●●○	●●●●○	●●●●●	

Stainless Steel Handle Ball Valve

ST把手球閥(2.5", 3", 4")

- 塑珠
- 鋼珠

耐壓10Kgs



大尺寸



產品特色 Product Features

- 芯軸採304不鏽鋼
- 獨特密封雙O環設計
- 有效增加支撐強度及止漏密合度
- 專利M484657號
- 獨家304防鬆螺帽，用久不鬆脫
- 雙肋條結構，加強把手強度
- 外銷品管，原料採日本UPVC，耐候性及光澤度更佳
- 閥體皆經壓力測試，滲漏率最低

鋼珠

UPVC日系本體

SUS304把手

SUS304芯+SUS304球

塑珠

UPVC日系本體

SUS304把手

SUS304芯+ABS球

獨家防鬆螺帽

芯軸為SUS304

在含鹽環境或長期用於化學液體，較以往更耐用。

扭力低，容易轉動

SUS304材質耐含鹽曝曬環境，結構穩固適用於需常開關的場所。

ABS球耐化學液體，304把手適用於戶外環境。

膠刷 新革命

專利刷蓋

鑽石切面 加厚握把 好拿好旋緊
6°斜角 雙層密封 膠水不變質
新型 第M620073號

雙絞線刷桿

線徑3.5mm强度高
不易掉毛

立體球型

360°塗刷零死角
膠水不垂流



三種規格

SIZE	適用管件	
NO. 1	適用自家DIY使用(用量小)	對應不同水管尺寸
NO. 2	1/2" ~ 2"	
NO. 3	2-1/2" ~	

新型

傳統



- 雙層密封
專利6°斜角



膠蓋密封

- 單層膠蓋
無密封設計

- 雙絞線刷桿
線徑3.5mm强度高



刷桿強度

- 單鐵線刷桿
線徑1.8mm強度低

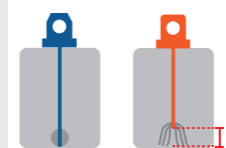
- 三種規格
對應不同水管尺寸



規格選擇

- 單一規格
需自行修剪

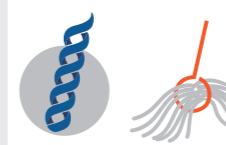
- 膠刷至底
膠水不浪費



刷桿長度

- 旋緊時
長度離罐底1.5CM

- 絞線旋緊
不易掉毛



固定刷毛

- 鐵線平壓
久易掉毛

- 立體球型
360°塗刷零死角
膠水不垂流



創新結構

- 二邊束線
僅能塗單一方向

Toilet Tank Parts

馬桶配件

- 直行鍊條設計，高抗拉不打結，符合歐盟RoHS 2.0規範
- 阿匹克加大接觸面積，穩定支撐、不易晃動
- 專業切角，安裝零死角
- 不鏽鋼件，去毛邊、安全不刮手
- 獨家專利設計，長度自由伸縮，各類水箱均適用

專業切角 安裝零死角

小地方

大不同

專利設計

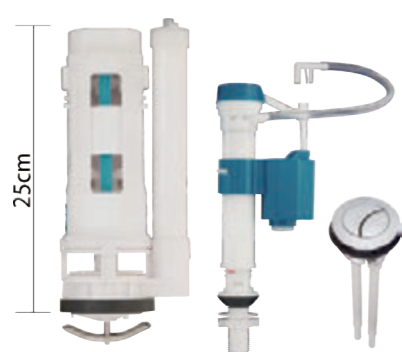
伸縮自如



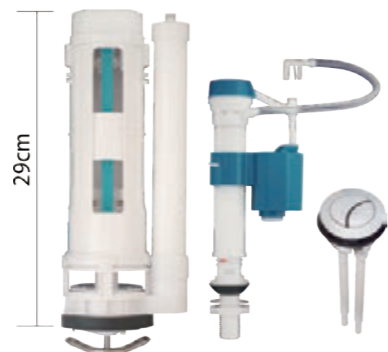
760000
分離式水箱整組配件

760100
噴射式水箱整組配件

760200
低單體水箱整組配件-新型



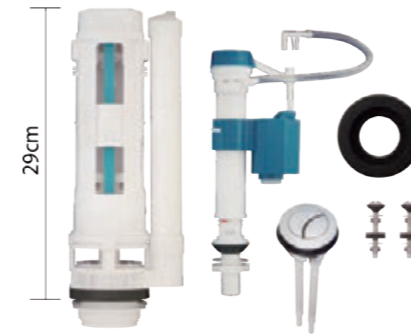
760201
上按二段省水高單體
水箱整組配件(25CM)



760202
上按二段省水高單體
水箱整組配件(29CM)



760300
上按二段省水二件式
水箱整組配件(25CM)



760301
上按二段省水二件式
水箱整組配件(29CM)



761000
虹吸式
高水箱整組配件



761100
全開式
高水箱整組配件



762001
低水箱進水器組(14.5CM)



762000
通用型-免浮球進水器



762202
前壓式電鍍把手

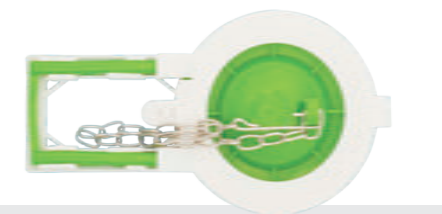


762203
前壓式無電鍍把手

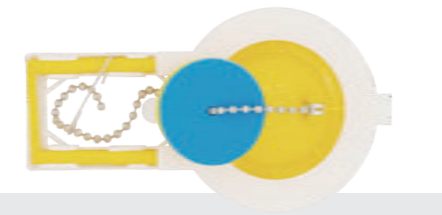
763001
高水箱進水器組(18CM) 含浮球



採高級橡膠
延長使用壽命
抗老化材質
有效省水



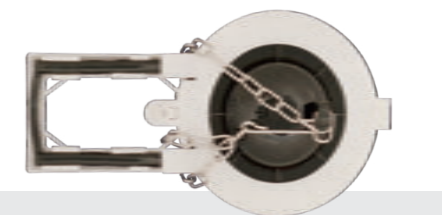
762100
無段式馬桶省水器



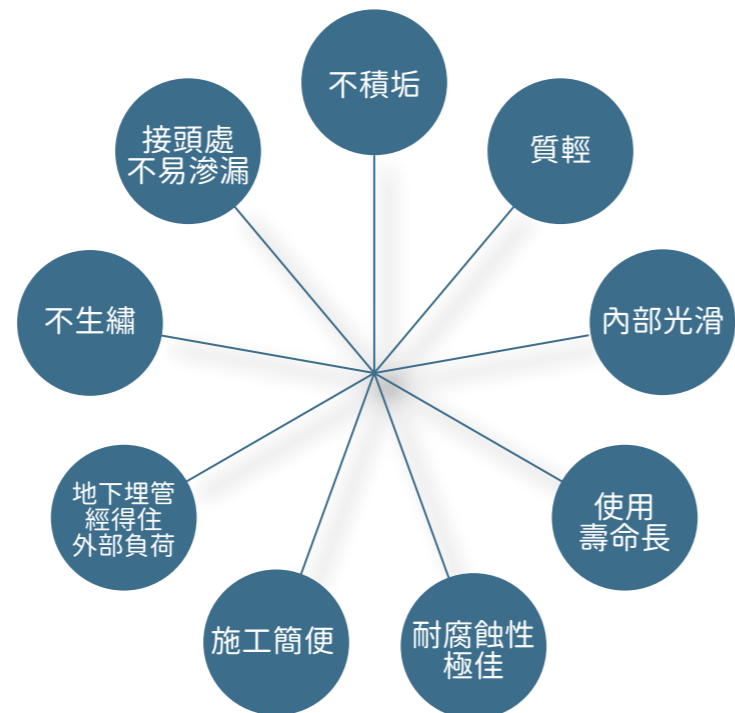
762101
分段式馬桶省水器



762401
單體馬桶止水皮-新型



762301
低水箱落水皮 13.3CM.



工程塑膠管路系統 不同于傳統金屬管路系統

- 適用於民生相關的排水輸送系統、船舶設備輸送系統、海水輸送系統、污水輸送系統、環境工程輸送系統、農魚業灌溉輸送系統。
- Engineering plastic pipe line system is differ from metal pipe line system , with light weight , interior smooth surface , no rust and without dirt accumulating , excellent anti-rot function , easy operation , no leakage with joint , durability to afford outer load while under ground , long life .
- Apply to people's livelihood water treatment system , shipping equipment transfer system , sea water transfer system , house waste water transfer system , environment engineering transfer system and agriculture irrigation transfer system .

材質	簡稱	一般化學性能	最高工作溫度 長時間	溫度 短暫
聚氯乙烯	PVC	可耐大部分的"酸、碱、鹽"由低到高濃度的腐蝕，但不耐"芳香煙"、酮、醚、"氯化碳煙類"腐蝕。	55°C	60°C
氯化聚氯乙烯 CORZAN	CPVC	耐化學腐蝕性與PVC相似，僅耐溫性比PVC好。	95°C	110°C
聚丙烯	PP	耐化學性非常好，對一般的酸的抵抗力也好，唯較不耐兩種不同酸的混合液，如：硝酸+硫酸或硫酸+氫氟酸。對一般有機溶劑。	90°C	110°C
聚二氟乙烯	PVDF	耐化性非常好，只會被"發煙硫酸、三氧化硫、強鹼胺類、酮類"等腐蝕。	140°C	150°C
聚四氟乙烯 (鐵氟龍)	PTFE	幾乎不被任何化學藥品腐蝕，只有在高溫下才會被少數化學藥品腐蝕。	250°C	300°C
氟橡膠(氟化乙稀與六氟 化丙稀的共聚物) VITON	FPM	耐侯性、耐臭氧、耐油、耐熱性、耐化學藥品性均好。是自熄性橡膠，但耐寒性不好(-45°C脆化點)。	200°C	200°C
乙烯丙烯橡膠	EPDM	耐侯性、耐臭氧、耐化學藥品性優，耐油性好，是自熄性橡膠，耐低溫性差，不耐芳香煙類。	90°C	120°C
丁二烯腈橡膠 (BUNNA-N)	NBR	主要效能是"耐油性好"，耐熱性佳，在120°C可長期使用，耐寒性差，耐水性差。	120°C	120°C

管用牙之基準尺寸

尺寸	英制 - JIS(BSPT)			美制 - ANSI(NPT)		
	牙數	外徑	有效徑	牙數	外徑	有效徑
1/16"	28			27	7.9	7.142
1/8"	28	9.728	9.147	27	10.3	9.519
1/4"	19	13.157	12.301	18	13.7	12.443
3/8"	19	16.662	15.806	18	17.1	15.926
1/2"	14	20.995	19.793	14	21.3	19.772
3/4"	14	26.441	25.279	14	26.7	25.117
1"	11	33.249	31.77	11.5	33.4	31.461
1-1/4"	11	41.91	40.431	11.5	42.2	40.218
1-1/2"	11	47.803	46.324	11.5	48.3	46.287
2"	11	59.614	58.135	11.5	60.3	58.325
2-1/2"	11	75.184	73.705	8	73	70.159
3"	11	87.884	86.405	8	88.9	86.068
3-1/2"	11	100.33	98.851	8	101.6	98.776
4"	11	113.03	111.551	8	114.3	111.433

英制管用牙	鑽頭孔徑(mm)	
	PT	PS
1/8"-28	8.2	8.5
1/4"-19	10.9	11.4
3/8"-19	14.4	14.9
1/2"-14	18	18.5
3/4"-14	23	24
1"-11	29	30
1-1/4"-11	38	39
1-1/2"-11	44	45
2"-11	55	56

美制管用牙	鑽頭孔徑(mm)	
	NPT	NPS
1/16"-27	6.25	6.35
1/8"-27	8.43	8.75
1/4"-18	11	11.13
3/8"-18	14.27	14.7
1/2"-14	17.86	18.14
3/4"-14	23	23.4
1"-11.5	29	29.4
1-1/4"-11.5	37.7	38.1
1-1/2"-11.5	44.05	44.45
2"-11.5	55	56.4

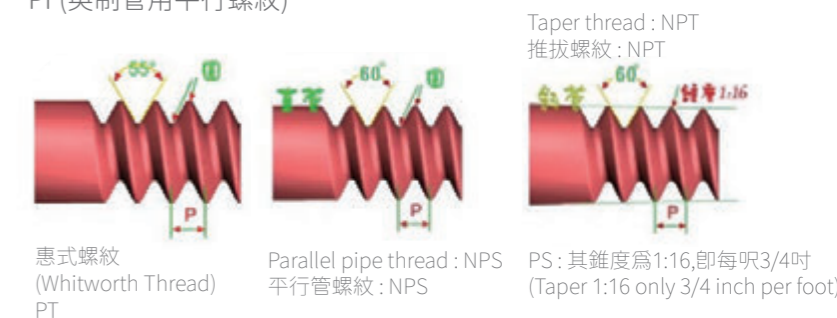
備註

SOCKET END : CNS, JIS, BS, ANSI & DIN
THREAD END : NPS(NPT), BSP(BSPT,BSPP) & PT(PS,PF)

管螺紋說明

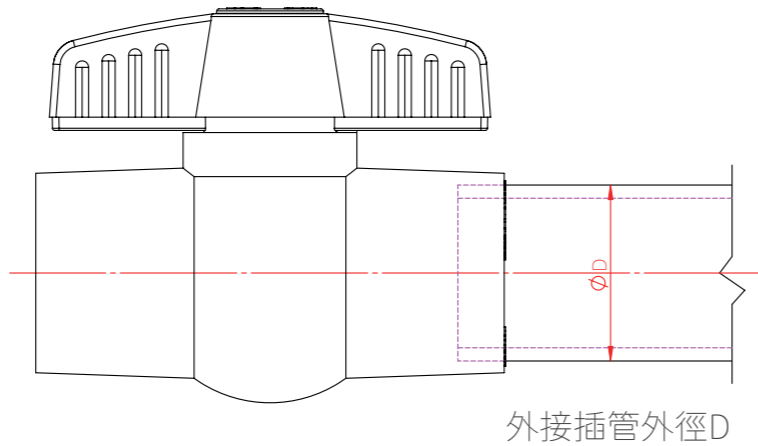
NPS(美國標準平行管牙螺紋):
制定在ANSI規格中，60度牙角平行管螺紋。
NPT(美國標準管用推拔螺紋): 制定在ANSI規格中，
60度牙角錐管螺紋，有外螺紋與內螺紋，用於北美地區。
BSP是英制管螺紋分BSPT(管用推拔螺紋)和BSPP(平行管牙螺紋)兩種
BSPT(英製管用推拔螺紋): 制定在BS規格中，55度牙角錐管螺紋。
BSPP(英製標準平行管牙螺紋):
制定在BS規格中，55度牙角平行管螺紋。

PT(Pipe Thread的縮寫): 是55度牙角密封圓錐管螺紋，
屬惠氏螺紋家族，多用於歐洲及英聯邦國家。
PS(英制管用推拔螺紋)
PF(英制管用平行螺紋)

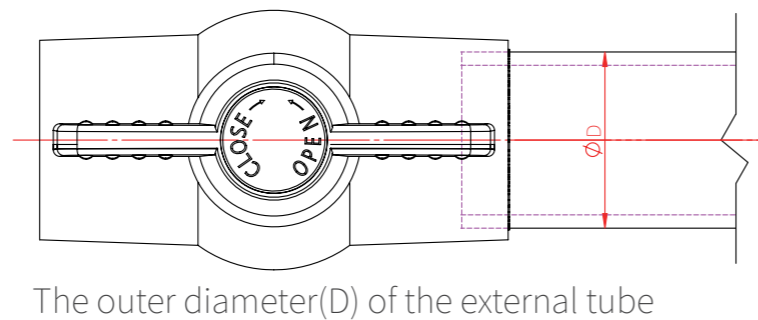


SOCKET

(插管的管外徑ØD管件規格)



SOCKET -
The outer diameter(ØD) of the external tube
SOCKET(插管的管外徑ØD管件規格) 共用



UNIT:mm

SIZE	CNS	JIS	DIN	ANSI	BS
3/8"(13mm)	18		16	17.2	-
1/2"(15mm)	22		20	21.3	
3/4"(20mm)	26		25	26.7	26.6
1" (25mm)	34		32	33.4	
1-1/4"(32mm)	42	38	40	42.16	42.2
1-1/2"(40mm)	48		50	48.26	48.2
2"(50mm)	60		63	60.3	
2-1/2"(65mm)	76		75	73	76
3"(80mm)	89		90	88.9	
3-1/2"(90mm)	100	-	-	-	-
4"(100mm)	114		110	114.3	
5"(125mm)		140		141.3	-
6"(150mm)	165		160	168.28	168.3

泛用型不鏽鋼分類

產品特性

- 硬度佳、加工困難，但材質安定、堅固耐用、耐高溫、遇熱不會釋放有毒物質、耐酸抗鹼，是廚房衛浴用品之上選材料。

泛用型不鏽鋼可分為三類

200系列：

201 / 202 (高錳含量)

含錳高
含鎳低，防鏽效果最差

微 / 無磁性

一般磁鐵無法吸附；
但使用強力磁鐵，
有時會產生微吸附
(視成份差異)。
含毒性重金屬「錳」，
不宜生產食品器具。

400系列：

最常見430

含鉻量高
含鎳低，防鏽效果差

具強磁性

使用一般磁鐵即可強力吸附可用
於電磁爐。
硬度較佳，
適合刀具等產品。

300系列：

俗稱304 (18-8)、316 (18-10)

含鎳量高
防鏽效果佳，
316比304更優越

弱磁性

一般磁鐵無法吸附；
但使用強力磁鐵會產生微吸附。
延展性良好，適合製作廚房衛用品
鍋具、茶壺、造型及高級餐具。

廠商名稱	測試結果/圖片 磁性檢測	稀硫酸液電解反應	材質判定
久統鋼珠 球閥把手	弱		電解反應：淡黃色 材質：304材質
久統塑珠 球閥把手	弱		電解反應：淡黃色 材質：304材質
它牌公司 球閥把手	微		電解反應：桃紅色 材質：201材質
它牌公司 球閥把手	強		電解反應：淡黃色 判定：430材質

PVC管與PVC球閥施工簡介

切割



使用塑膠管切割器，如電鋸或齒形完好的鐵鋸等簡單工具切割，**管件切得越方正，黏合效果越好。**

去毛邊



利用銼刀或其他去邊工具將管內外的毛邊和銼屑清除乾淨，**並施以適當倒角約30度**，使塑膠管易套入球閥接合面內。

配件準備



用乾淨抹布擦掉塑膠管及球閥接合面上的灰塵和水分，**並檢查管閥接合面的接合情形。**

塗抹清潔劑



管與球閥接合面接合時，使用適當毛刷或塗抹工具(勿用破布)將清潔劑均勻塗抹管末端外面和球閥接合內面，以確保表面的軟化效果。
(大尺寸管件接合可斟酌多增加塗抹次數及用量)

塗抹溶劑黏膠



管表面清潔劑作用完畢後，接合表面會浸透軟化，接著以適當大小的天然鬃刷，在管末端外面及球閥接合內面塗上厚層溶劑黏膠做接合。
(大尺寸管件接合可斟酌多增加塗抹次數及用量)

組合



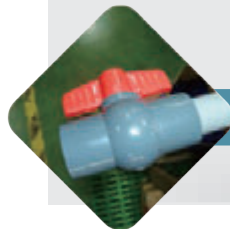
塗完黏膠後，應立刻將管插入球閥接合面並旋轉至少1/2圈，**插入球閥接合面內約1/2到3/4深度為標準，2/3深為理想值。**

確認



接合後應維持1~3分鐘固定以確保初步接合，管和球閥接合處的膠水如果過量溢出可利用破布擦去，如果接合處的膠水不溢出，有可能所塗抹的黏膠不足，建議用新球閥重新再黏膠接合。

測試驗收



管和球閥黏膠接合後，需等24小時膠合劑完全乾燥後才可加壓通水、試水及驗收。
(膠合劑完全乾燥的時間視地區的氣溫、濕度而不同)

PVC牙管與PVC球閥(牙口) 施工簡介

準備動作



互鎖的內外牙規格需相符，**螺牙不可有崩裂、缺牙、毛邊...**之情形。

準備止洩帶



在外牙上頭纏繞止洩帶，纏繞方式由第一牙開始至內順時鐘方向螺紋纏繞止洩帶，纏繞時需微用力拉緊止洩帶。

纏繞止洩帶



纏繞圈數視實際狀況而定，約6至9圈。
(以能夠達到止水功能為主)

檢查



內外牙互鎖時如止洩帶鬆脫，**無法達到止水功能需去除此止洩帶重新纏繞。**

皮帶扳手再旋緊



空手鎖緊內外牙後，再用皮帶扳手轉約1至2圈即可。
(圈數過多，則易造成牙件損壞)

安置與固化時間

- 管路接合後宜在無壓下安置一段時間，才可進行下一步裝卸組合，以確保最佳效果。
- 安裝完成，並參考下列之固化時間要求後，該系統即可進行壓力測試。
- 在進行壓力測試時，請將管路系統內注滿水，並將空氣排出。
- 請勿使用空氣或壓縮氣體進行測試。
- 溶劑黏膠的安置與固化時間主要受管尺寸、溫度、濕度及適合緊度的影響。
- 環境越乾燥，管越小，溫度越高，緊密度越大，乾燥時間就越快。
- 在極端溫度條件下應特別注意系統的組合。
- 當溫度低於攝氏4度時，應給予額外安置與固化時間。
- 當溫度高於攝氏38度時，裝配者應確定接合兩面上之黏膠仍是濕的。

安置建議時間

週邊溫度	1-1/4"以下	1-1/2"~3"	4"~8"	10"~12"
15°C以上	15分鐘	30分鐘	1小時	2小時
4°C~15°C	1小時	2小時	4小時	8小時
低於4°C	3小時	6小時	12小時	24小時

壓力測試前建議固化時間

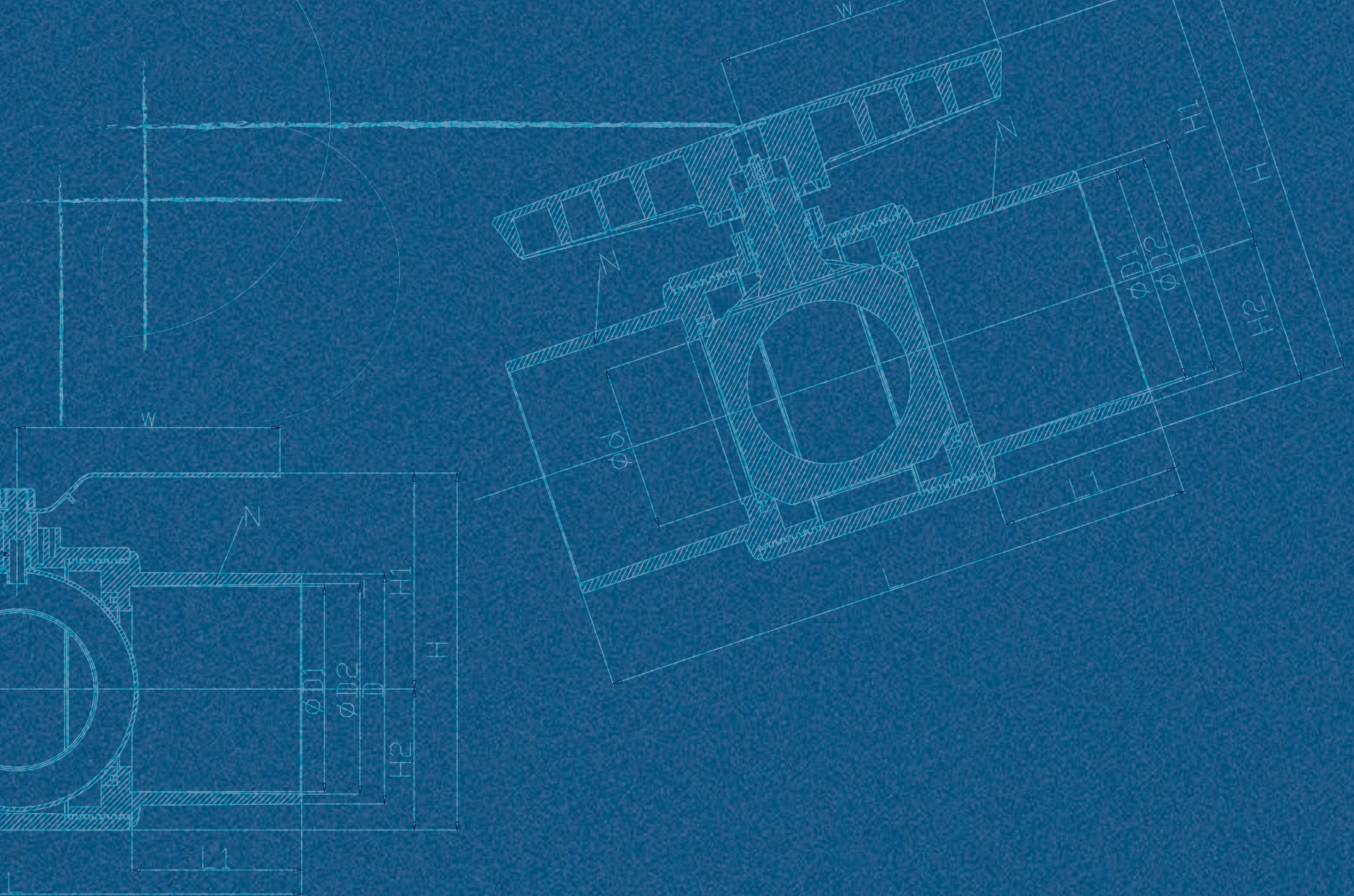
(試壓在180PSI以下；10"以上試壓在100PSI以下)

壓力測試前建議之固化時間

(試壓在180PSI以上)

週邊溫度	1-1/4"以下	1-1/2"~3"	4"~8"	10"~12"	週邊溫度	1-1/4"以下	1-1/2"~3"	4"~8"
15°C以上	1小時	2小時	6小時	24小時	15°C~43°C	6小時	6小時	24小時
4°C~15°C	2小時	4小時	12小時	40小時	4°C~15°C	12小時	24小時	48小時
低於4°C	8小時	16小時	48小時	8天	低於4°C	48小時	96小時	8天

**相對濕度如超過60%以上，固化時間建議應適度延長約50%之時間。



久統塑膠有限公司

T : 04-7616616 | F : 04-7616615

彰化縣秀水鄉雅興街178巷20號

<http://chiutong.com>

Made in Taiwan

