

- C70 M35 Y30 Ko
- C85 M55 Y35 Ko

久統塑膠有限公司

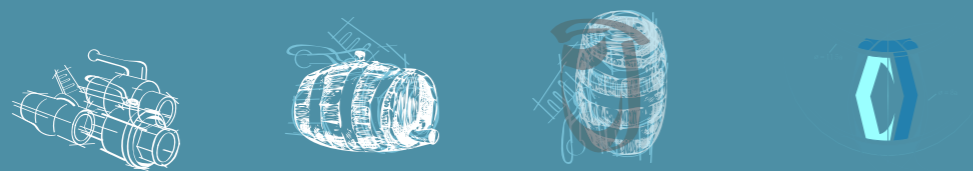
CHIUTONG

We only pursue perfection

2019



關於公司 About Us



久統塑膠有限公司創立於1978年，一路秉持穩健踏實，服務至上的精神，生產開發各式產品供應台灣本地及國外客戶之需求。

Chiu Tong found in 1978, always keep steady and service of first importance, producing all kinds of products for meeting the requirement of customers from local Taiwan and foreign countries.

我們專業生產各式塑膠閥門及相關零配件，以自有品牌行銷，深獲好評；且於2003年通過ISO認證以與國際接軌。

We specialize in manufacturing all kinds of PVC valve and fittings, selling by our brand and obtain great reputation. Also, we have granted ISO certificate in 2003 to associate with worldwide. To meet with expanding business needs,

鑑於業務擴充之需求，於2010年遷至7000平方米之新廠房；且陸續新增園藝及家居用品新產線，種類樣式達數百款且持續開發中，並配合客戶OEM及ODM生產。

We have re-located to new factory which owns 7000 Square Metres in 2010. Meanwhile, we have added another production line to manufacturing Gardening Accessories and Household items and which have reached hundreds of types. Besides, we also produce products according to customers' OEM and ODM service.

展望未來，本公司仍將加強品質控管，並以目前工業產品優勢與其他新元素結合，除了持續拓展塑膠閥門產品，亦將多角化發展新產品線與新通路。我們將以創新帶動領導的跳躍思維，不斷追求產品的改良與開發，正如久統不斷追求成長及永續經營的信念！

We will keep jumping viewpoint of creativity guides leadership, continuing to seek for improvement and development of products which is as Chiu Tong keeps pursuing growth and the faith of continuous operation.



精實訊敏
Accurate, Prompt and Acute.
 精進流程與人力，創造極大化之價值。
 Simplify process and manpower to create maximal value.

謙仁誠義
Humble, Kind, Honest and Justice.
 儒道合之企業文化，並放諸社會責任。
 Enterprise culture of Confucianists and Taoism and take upon society responsibility.

擴大視野
Enlarge Perspective.
 放大格局，探究高水準的管理與技術。
 Broaden your horizons, research high-level management and technology.

創新領導
Creative Leadership.
 創新帶動領導，染化全員の跳耀思維。
 Keep jumping viewpoint of creativity guides leadership.

沿革 History

1978
 久統塑膠有限公司創立於台灣彰化。
 Chiu Tong Plastics Co., Ltd. Found at Changhua, Taiwan.

1993
 久統塑膠獲BOI投資獎勵於泰國設立第一家塑膠球閥製造商。
 Obtain BOI investment reward and set up first plastic ball valve manufacturer in Thailand.

2003
 通過ISO-9001認證。
 Passed ISO-9001 certificate.

2008
 外銷超過30個國家。
 Selling over 30 foreign countries.

2010
 新廠落成於彰化秀水，面積達7000平方米。
 Set up new factory which with 7,000 Square Metres.

2011
 新增園藝配件&家居用品新產線。
 Added another production line to manufacturing Gardening Accessories and Household items.

2014
 3*3盆栽榮獲德國紅點設計獎。
 3*3 flower pot got Germany Red Dot Design Award.

2016
 膠囊蓮蓬頭獲政府SBIR專案補助及多國發明專利。
 Capsule shower head got government SBIR project subsidy and many countries' patent pending.



堅續管理流程的精進

Insist on refinement of management process

堅持不可妥協的品質

Insist on "no-compromise" quality.

追求卓越、行銷全球

Seek for outstanding and sell worldwide.



LINE 行銷生活圈

使用手機或平板電腦搜尋的三種方式

- (1) 在 Line 官方帳號搜尋「久統」
- (2) 搜尋 Line ID : @chiutong (前面記得要加 @)
- (3) 掃描左方 QR Code 行動條碼，也可以找到我們喔！

加入好友後，請您務必回覆一下「貴公司名稱-姓名」，才算加入成功喔！

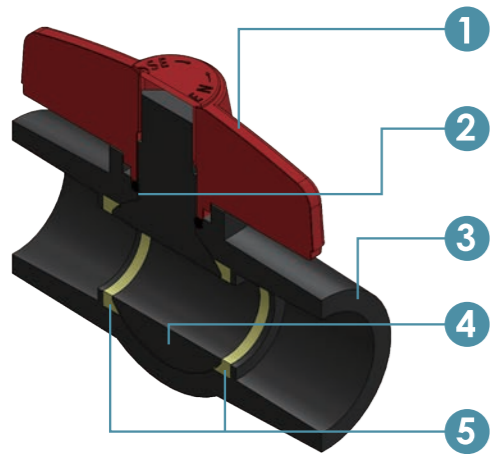


產品特色

- 埋入式一體成型射出, 密合度高。
- 結構簡單, 體積小、重量輕, 不佔空間。
- 球仔與閥體俱獨特密封座設計, 保證球閥轉動流暢、氣密良好。
- 本球閥採非鉛系安定劑之硬質 PVC 材質, 無重金屬、無毒、無味。
- 每個閥體皆經多重壓力測試, 以確保出廠高標準。

Product Features

- Very good appearance formed in one piece injection.
- The structure is simple, small volume, light weight and it is not to occupy space.
- Distinctive design of the seat where it is between on the ball and body. It guarantee that tightness is good while turn on or off ball valve.
- The element of PVC ball valve is not to add lead, no heavy metal, no poison, no taste.
- Every Standard Ball Valve pass multiple pressure test which guarantee not to leak.



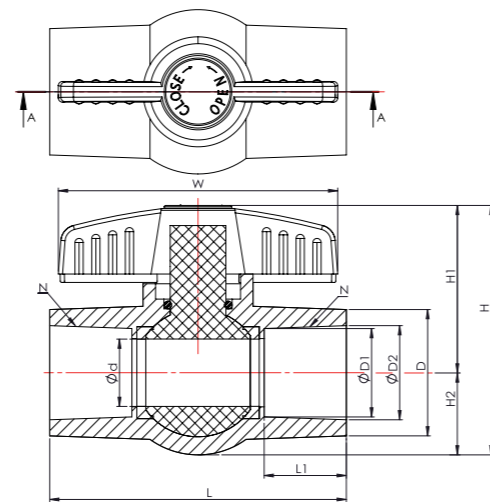
NO	Parts	Q'TY	Material
1	Handle	1	UPVC/ABS
2	O-Ring	1	NBR/EPDM/VITON
3	Body	1	UPVC/CPVC/PP
4	Ball	1	UPVC/CPVC/PP
5	Seat	2	PVC/TPR/FKM

Thread End

NPT, BSPT

Socket End

CNS, ANSI, BS, JIS, DIN



UNIT:mm

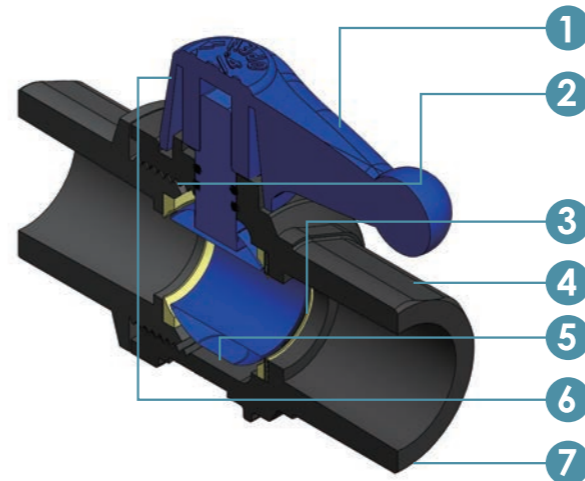
SIZE	NOM.	CNS			JIS			ANSI			BS			DIN			L	H	d	D	W	N	
		D1	D2	L1	D1	D2	L1	D1	D2	L1	D1	D2	L1	D1	D2	L1						NPT	BSPT
3/8" (13mm)		17.68	18.4	21	17.68	18.4	21	17.04	17.45	21	17.1	17.3	21	16.1	16.3	21	75.2	62	13	31.7	63.5	18	19
1/2" (15mm)		21.67	22.4	21	21.67	22.4	21	21.23	21.54	21	21.3	21.5	21	20.1	20.3	21	75.2	62	13	31.7	63	14	14
3/4" (20mm)		25.7	26.45	23	25.7	26.45	23	26.57	26.87	23	26.7	26.9	23	25.1	25.3	23	83.5	74.5	18	36.8	77.7	14	14
1" (25mm)		33.67	34.6	30	31.71	32.55	30	33.27	33.65	30	33.5	33.7	30	32.1	32.3	30	109	90	24	45.2	100.5	11.5	11
1-1/4" (32mm)		41.67	42.6	32	37.67	38.6	32	42.04	42.42	32	42.2	42.4	32	40.1	40.3	32	120	106.8	30	55.3	110	11.5	11
1-1/2" (40mm)		47.76	48.7	39	47.76	48.7	39	48.11	48.56	39	48.2	48.4	39	50.1	50.3	39	141.6	117.2	36	63.1	119.8	11.5	11
2" (50mm)		59.77	60.8	42	59.77	60.8	42	60.17	60.63	42	60.3	60.5	42	63.1	63.3	42	159	143	48	76	120	11.5	11

產品特色

- 球仔與閥體俱獨特密封座設計, 保證球閥轉動流暢、氣密良好。
- 本球閥採非鉛系安定劑之硬質 PVC 材質, 無重金屬、無毒、無味。
- 把手、芯軸、塑膠球皆採 ABS 材質, 耐候性佳, 耐用性長。
- 芯軸採雙層 O 環設計, 氣密性更佳。
- 每個閥體皆經多重壓力測試, 以確保出廠高標準。
- 低轉矩扭力。

Product Features

- Distinctive design of the seat where it is between on the ball and body. It guarantee that tightness is good while turn on or off ball valve.
- The element of PVC ball valve is not to add lead, no heavy metal, no poison, no smell.
- Handle, axis and ball use plastic (ABS) which is durable and not to get rusty.
- Axis use double o-ring which get better airtight.
- Every Assembled Ball Valve pass multiple pressure test which guarantee not to leak.
- Low torque torque.



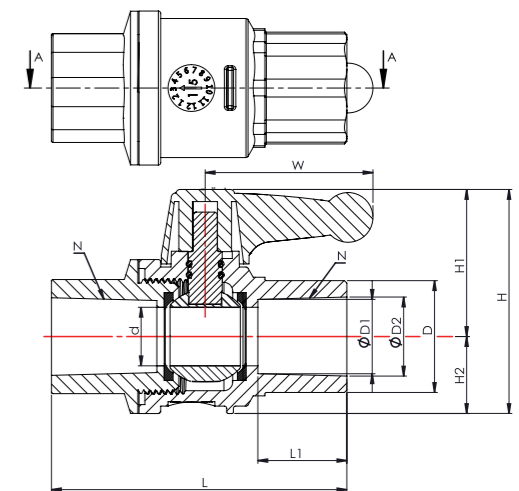
NO	Parts	Q'TY	Material
1	Handle	1	UPVC/ABS
2	O-Ring	2	NBR/EPDM/VITON
3	Seat	2	TPR/FKM
4	Body	1	UPVC/CPVC/ABS/PP
5	Ball	1	UPVC/CPVC/ABS
6	Stem	1	UPVC/CPVC/ABS
7	Cap	1	UPVC/CPVC/ABS/PP

Thread End

NPT, BSPT

Socket End

CNS, ANSI, BS, JIS, DIN



UNIT:mm

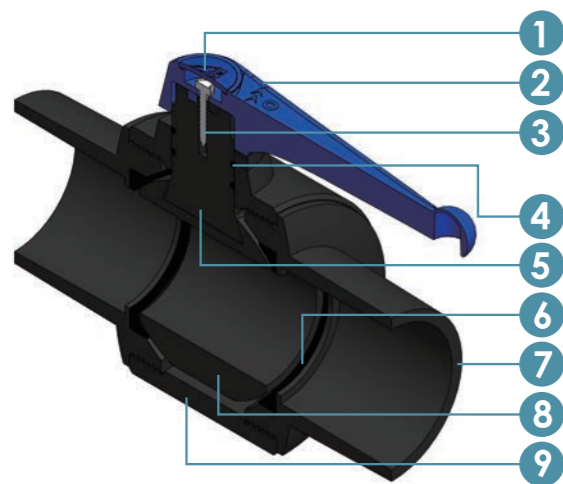
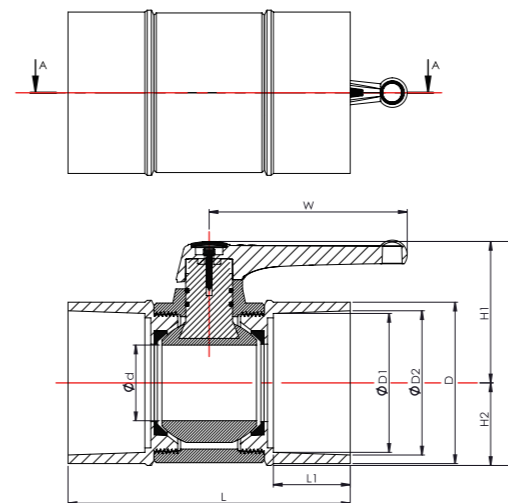
SIZE	NOM.	CNS			JIS			ANSI			BS			DIN			L	H	d	D	W	N	
		D1	D2	L1	D1	D2	L1	D1	D2	L1	D1	D2	L1	D1	D2	L1						NPT	BSPT
1/2" (15mm)		21.72	22.16	26.4	21.72	22.16	26.4	20.98	21.48	26.6	20.98	21.48	26.6	19.98	20.48	26.5	84.9	64.7	14.9	32.7	53	18	19
3/4" (20mm)		25.62	26.36	30.4	25.62	26.36	30.4	26.22	27.04	30.6	26.22	27.04	30.6	24.22	25.04	30.5	103.1	77.4	19.9	37.7	57	14	14
1" (25mm)		32.82	34.12	33.3	30.82	32.12	33.2	33.08	34.14	33.1	33.08	34.14	33.1	31.08	32.14	33.2	113.8	87.8	24.9	47.3	70	14	14
1-1/4" (32mm)		40.72	42.28	34.9	36.72	38.28	34.8	40.72	42.28	34.9	40.72	42.28	34.9	38.72	40.28	34.8	127.5	107.9	31.9	55.8	78	11.5	11
1-1/2" (40mm)		47.66	48.32	44.9	47.66	48.32	44.9	47.66	48.32	44.9	47.66	48.32	44.9	49.66	50.32	44.8	153.6	114.1	37.8	65.5	88	11.5	11
2" (50mm)		58.56	60.21	48.4	58.56	60.21	48.4	58.56	60.21	48.4	58.56	60.21	48.4	61.56	63.21	48.5	171.5	136.6	49.8	76.7	99	11.5	11

產品特色

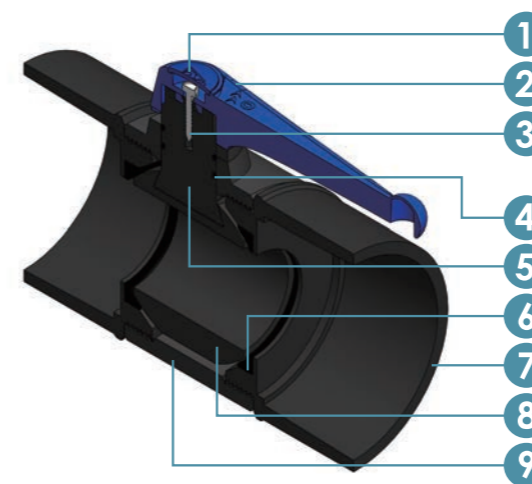
- 球仔與閥體俱獨特密封座設計，保證球閥轉動流暢、氣密良好。
- 本球閥採非鉛系安定劑之硬質PVC材質，無重金屬、無毒、無味。
- 把手、芯軸、塑膠球皆採ABS材質，耐候性佳，耐用性長。
- 芯軸採雙層O環設計，氣密性更佳。
- 每顆球閥皆經多重壓力測試，以確保出廠高標準。

Product Features

- Distinctive design of the seat where it is between on the ball and body.
- It guarantee that tightness is good while turn on or off ball valve.
- The element of PVC ball valve is not to add lead, no heavy metal, no poison, no smell.
- Handle, axis and ball use plastic (ABS) which is durable and not to get rusty.
- Axis use double o-ring which get better airtight.
- Every Assembled Ball Valve pass multiple pressure test which guarantee not to leak.



NO	Parts	Q'TY	Material
1	Label	1	ABS
2	Handle	1	UPVC/ABS
3	Screw	1	IRON
4	O-Ring	2	NBR/EPDM/VITON
5	Stem	1	UPVC/CPVC/ABS
6	Seat	2	RUBBER/TPR/FKM
7	Cap	2	UPVC/CPVC/PP
8	Ball	1	UPVC/CPVC/ABS
9	Body	1	UPVC/CPVC/ABS/PP



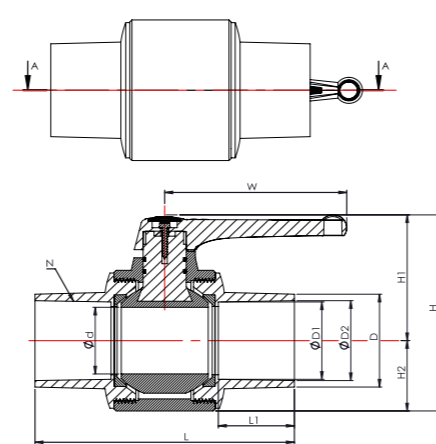
NO	Parts	Q'TY	Material
1	Label	1	ABS
2	Handle	1	UPVC/ABS
3	Screw	1	IRON
4	O-Ring	2	NBR/EPDM/VITON
5	Stem	1	UPVC/CPVC/ABS
6	Seat	2	RUBBER/TPR/FKM
7	Cap	2	UPVC/CPVC/PP
8	Ball	1	UPVC/CPVC/ABS
9	Body	1	UPVC/CPVC/ABS/PP

Thread End

NPT, BSPT

Socket End

CNS, ANSI, BS, JIS, DIN



Thread End

NPT, BSPT

Socket End

CNS, ANSI, BS, JIS, DIN



UNIT:mm

SIZE	NOM.	CNS			JIS			ANSI			BS			DIN			L	H	d	D	W	N	
		D1	D2	L1	D1	D2	L1	D1	D2	L1	D1	D2	L1	D1	D2	L1						NPT	BSPT
2-1/2" (65mm)	75.4	77	70	75.4	77	70	73.5	75.9	70	75.4	77	70	74.5	75.9	70	240	198	65.2	90	165	8	11	
3" (80mm)	88.4	89.6	72	88.4	89.6	72	88.4	89.6	72	88.4	89.6	72	89.4	90.6	72	250	200	80	104	165	8	11	
3-1/2" (90mm)	98.6	100.6	70	-	-	-	-	-	-	-	-	-	-	-	-	250	200	80	114	165	8	11	

UNIT:mm

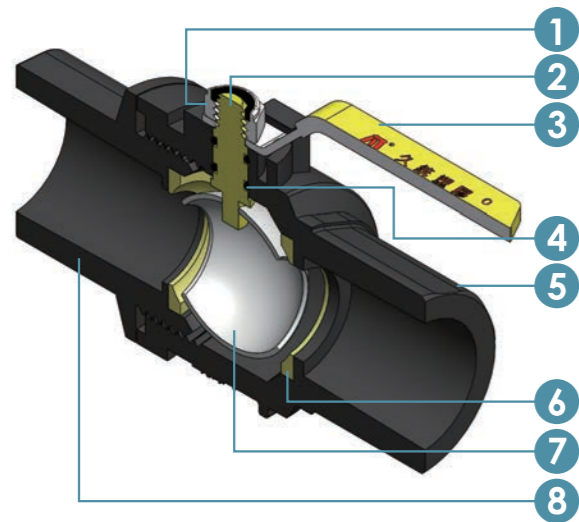
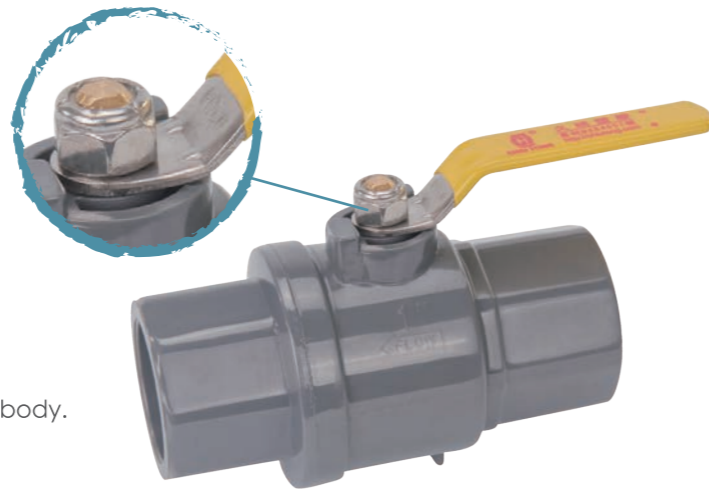
SIZE	NOM.	CNS			JIS			ANSI			BS			DIN			L	H	d	D	W	N	
		D1	D2	L1	D1	D2	L1	D1	D2	L1	D1	D2	L1	D1	D2	L1						NPT	BSPT
4" (100mm) (Full Flow)	113.7	114.5	77.5	113.7	114.5	77.5	113.7	114.5	77.5	113.7	114.5	77.5	109.7	110.5	77.5	325	250	100	131	190	8	11	
4" (100mm) (Low Flow)	113.7	114.5	77.5	113.7	114.5	77.5	113.7	114.5	77.5	113.7	114.5	77.5	109.7	110.5	77.5	275	200	80	131	165	8	11	
5" (125mm)	139.3	140.5	110	139.3	140.5	110	139.3	140.5	110	-	-	-	139.3	140.5	110	365	250	100	160	190	-	-	
6" (150mm) (Low Flow)	164.6	167	110	164.6	167	110	167.4	168.5	110	167.4	168.5	110	159.4	160.5	110	375	258	100	187	190	-	-	

產品特色

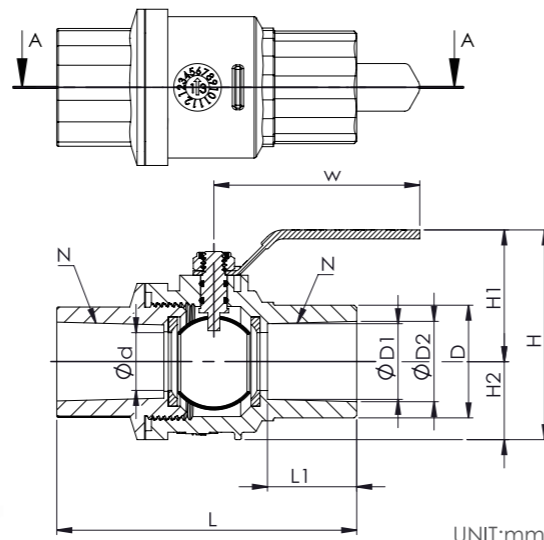
- 球仔與閥體俱獨特密封座設計, 保證球閥轉動流暢、氣密良好。
- 本球閥採非鉛系安定劑之硬質PVC材質, 無重金屬、無毒、無味。
- 把手、球體皆採SUS 304材質, 不易生鏽。
- 芯軸採雙層O環設計, 氣密性更佳。
- 每個閥體皆經多重壓力測試, 以確保出廠高標準。
- 使用防鬆螺帽, 增加耐振性及耐磨性, 且把手不易鬆脫。

Product Features

- Distinctive design of the seat where it is between on the ball and body. It guarantee that tightness is good while turn on or off ball valve.
- The element of PVC ball valve is not to add lead, no heavy metal, no poison, no smell.
- Both handle and ball use stainless material (SUS 304) which is durable and not to get rusty.
- Axis use double o-ring which get better airtight.
- Every ST Handle ST Ball Valve pass multiple pressure test which guarantee not to leak.
- Use anti-loose nut to increase vibration resistance and wear resistance, and the handle is not easy to loosen.



NO	Parts	Q'TY	Material
1	Nut	1	SUS 304
2	Stem	1	BRASS
3	Handle	1	SUS 304
4	O-Ring	2	NBR/EPDM/VITON
5	Body	1	UPVC/CPVC/ABS/PP
6	Seat	2	TPR/FKM
7	Ball	1	SUS 304
8	Cap	1	UPVC/CPVC/ABS/PP



Thread End

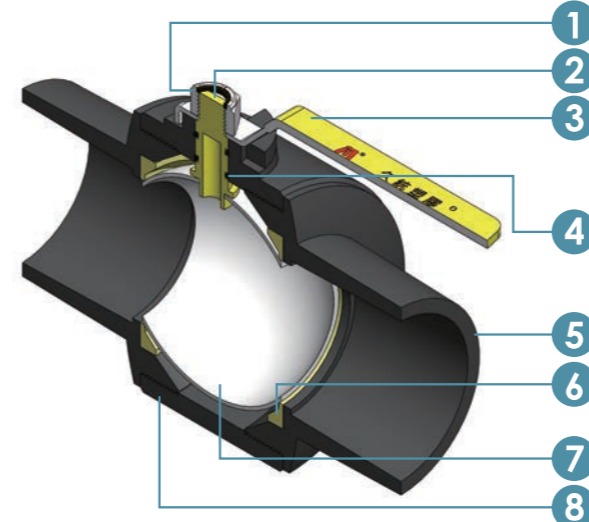
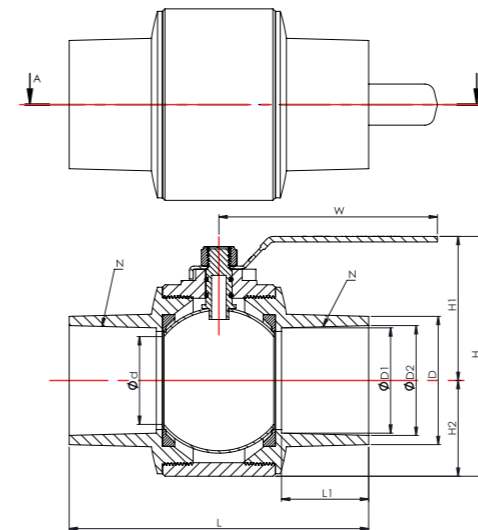
NPT, BSPT

Socket End

CNS, ANSI, BS, JIS, DIN



SIZE	NOM.	CNS			JIS			ANSI			BS			DIN			L	H	d	D	W	N	
		D1	D2	L1	D1	D2	L1	D1	D2	L1	D1	D2	L1	D1	D2	L1						NPT	BSPT
1/2" (15mm)	21.72	22.16	26.4	21.72	22.16	26.4	20.98	21.48	26.6	20.98	21.48	26.6	19.98	20.48	26.5	84.9	61	14.9	32.7	70	18	19	
3/4" (20mm)	25.62	26.36	30.4	25.62	26.36	30.4	26.22	27.04	30.6	26.22	27.04	30.6	24.22	25.04	30.5	103.1	72	19.9	37.7	83	14	14	
1" (25mm)	32.82	34.12	33.3	30.82	32.12	33.2	33.08	34.14	33.1	33.08	34.14	33.1	31.08	32.14	33.2	113.8	79	24.9	47.3	83	14	14	
1-1/4" (32mm)	40.72	42.28	34.9	36.72	38.28	34.8	40.72	42.28	34.9	40.72	42.28	34.9	38.72	40.28	34.8	127.5	108	31.9	55.8	121	11.5	11	
1-1/2" (40mm)	47.66	48.32	44.9	47.66	48.32	44.9	47.66	48.32	44.9	47.66	48.32	44.9	49.66	50.32	44.8	153.6	118	37.8	65.5	121	11.5	11	
2" (50mm)	58.56	60.21	48.4	58.56	60.21	48.4	58.56	60.21	48.4	58.56	60.21	48.4	61.56	63.21	48.5	171.5	139	49.8	76.7	125	11.5	11	



NO	Parts	Q'TY	Material
1	Nut	1	SUS 304
2	Stem	1	BRASS
3	Handle	1	SUS 304
4	O-Ring	2	NBR/EPDM/VITON
5	Cap	2	UPVC/CPVC/PP
6	Seat	2	RUBBER/TPR/FKM
7	Ball	1	SUS 304
8	Body	1	UPVC/CPVC/ABS/PP

Thread End

NPT, BSPT

Socket End

CNS, ANSI, BS, JIS, DIN



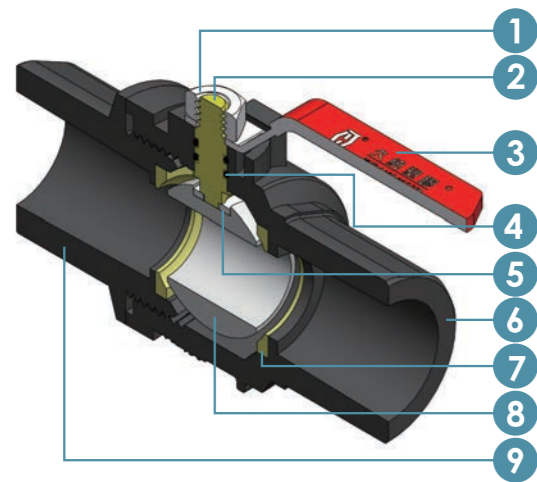
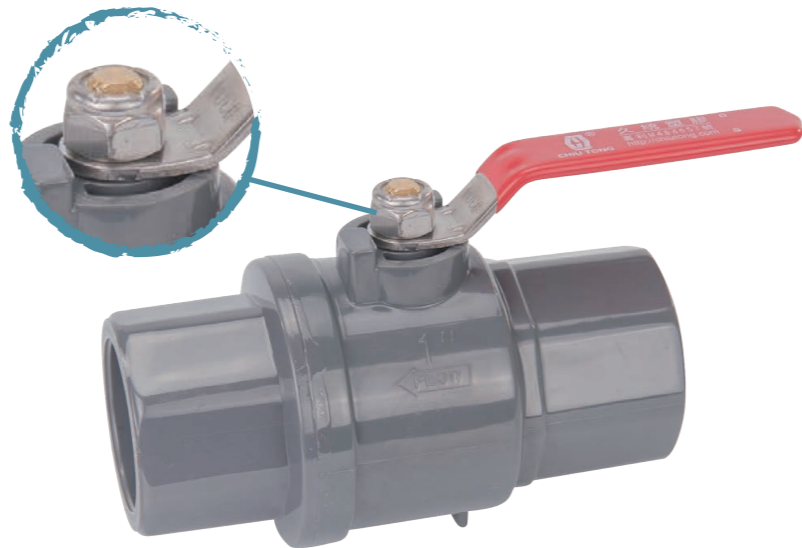
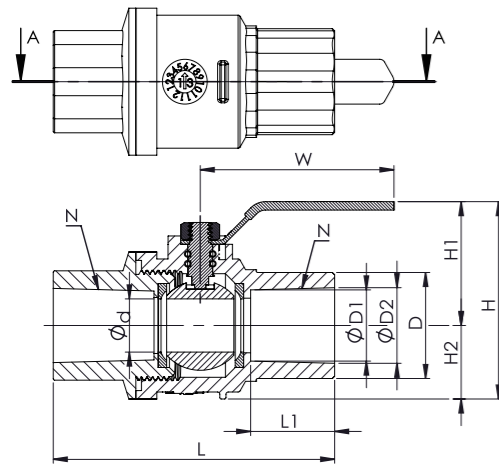
SIZE	NOM.	CNS			JIS			ANSI			BS			DIN			L	H	d	D	W	N	
		D1	D2	L1	D1	D2	L1	D1	D2	L1	D1	D2	L1	D1	D2	L1						NPT	BSPT
2-1/2" (65mm)	75.4	77	70	75.4	77	70	73.5	75.9	70	75.4	77	70	74.5	75.9	70	240	173	65.2	90	182	8	11	
3" (80mm)	88.4	89.6	72	88.4	89.6	72	88.4	89.6	72	88.4	89.6	72	89.4	90.6	72	250	196	80	104	182	8	11	
3-1/2" (90mm)	98.6	100.6	70	-	-	-	-	-	-	-	-	-	-	-	-	250	196	80	114	182	8	11	
4" (100mm) (Low Flow)	113.7	114.5	77.5	113.7	114.5	77.5	113.7	114.5	77.5	113.7	114.5	77.5	109.7	110.5	77.5	275	196	80	131	182	8	11	
4" (100mm) (Full Flow)	113.7	114.5	77.5	113.7	114.5	77.5	113.7	114.5	77.5	113.7	114.5	77.5	109.7	110.5	77.5	325	215	100	131	213	8	11	
5" (125mm)	139.3	140.5	110	139.3	140.5	110	139.3	140.5	110	-	-	-	139.3	140.5	110	365	215	100	160	213	-	-	
6" (150mm) (Low Flow)	164.6	167	110	164.6	167	110	167.4	168.5	110	167.4	168.5	110	159.4	160.5	110	375	230	100	187	213	-	-	

UNIT:mm

ST Handle ABS Ball Valve

CT-04(1/2"~6")

ST把手塑膠球閥



NO	Parts	Q'TY	Material
1	Nut	1	SUS 304
2	Stem	1	BRASS
3	Handle	1	SUS 304
4	O-Ring	2	NBR/EPDM/VITON
5	Iron Chromed	1	SUS 304
6	Body	1	UPVC/CPVC/ABS/PP
7	Seat	2	TPR/FKM
8	Ball	1	UPVC/CPVC/ABS
9	Cap	1	UPVC/CPVC/ABS/PP

Thread End

NPT, BSPT

Socket End

CNS, ANSI, BS, JIS, DIN



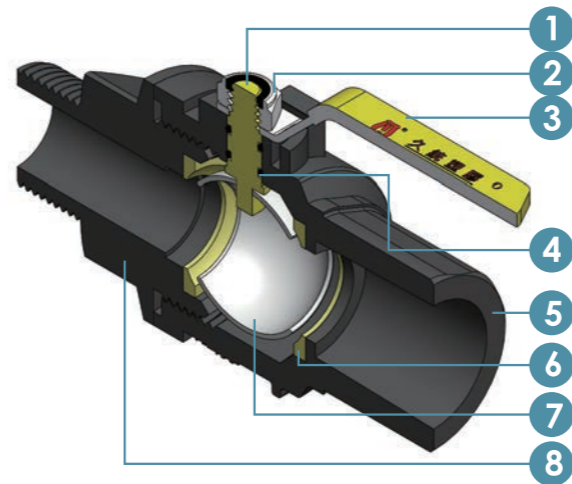
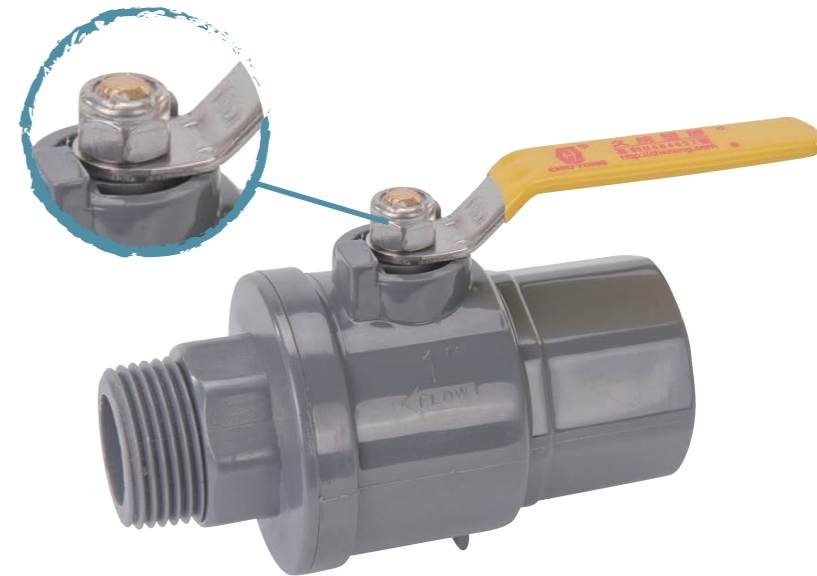
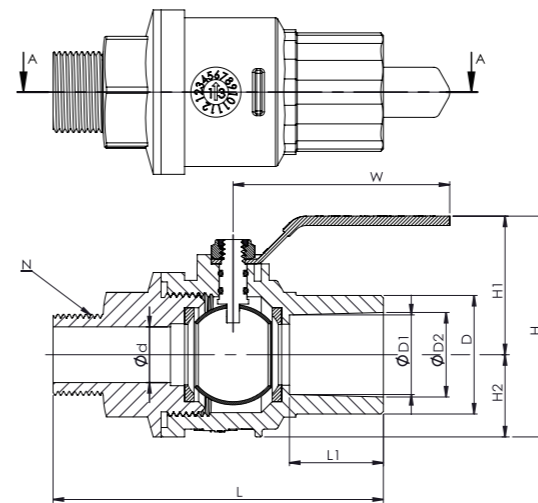
UNIT:mm

SIZE	NOM.	CNS			JIS			ANSI			BS			DIN			L	H	d	D	W	N	
		D1	D2	L1	D1	D2	L1	D1	D2	L1	D1	D2	L1	D1	D2	L1						NPT	BSPT
1/2" (15mm)		21.72	22.16	26.4	21.72	22.16	26.4	20.98	21.48	26.6	20.98	21.48	26.6	19.98	20.48	26.5	84.9	61	14.9	32.7	70	18	19
3/4" (20mm)		25.62	26.36	30.4	25.62	26.36	30.4	26.22	27.04	30.6	26.22	27.04	30.6	24.22	25.04	30.5	103.1	72	19.9	37.7	83	14	14
1" (25mm)		32.82	34.12	33.3	30.82	32.12	33.2	33.08	34.14	33.1	33.08	34.14	33.1	31.08	32.14	33.2	113.8	79	24.9	47.3	83	14	14
1-1/4" (32mm)		40.72	42.28	34.9	36.72	38.28	34.8	40.72	42.28	34.9	40.72	42.28	34.9	38.72	40.28	34.8	127.5	108	31.9	55.8	121	11.5	11
1-1/2" (40mm)		47.66	48.32	44.9	47.66	48.32	44.9	47.66	48.32	44.9	47.66	48.32	44.9	49.66	50.32	44.8	153.6	118	37.8	65.5	121	11.5	11
2" (50mm)		58.56	60.21	48.4	58.56	60.21	48.4	58.56	60.21	48.4	58.56	60.21	48.4	61.56	63.21	48.5	171.5	139	49.8	76.7	125	11.5	11
2-1/2" (65mm)		75.4	77	70	75.4	77	70	73.5	75.9	70	75.4	77	70	74.5	75.9	70	240	173	65.2	90	182	8	11
3" (80mm)		88.4	89.6	72	88.4	89.6	72	88.4	89.6	72	88.4	89.6	72	89.4	90.6	72	250	196	80	104	182	8	11
3-1/2" (90mm)		98.6	100.6	70	-	-	-	-	-	-	-	-	-	-	-	-	250	196	80	114	182	8	11
4" (100mm)		113.7	114.5	77.5	113.7	114.5	77.5	113.7	114.5	77.5	113.7	114.5	77.5	109.7	110.5	77.5	325	215	100	131	213	8	11
5" (125mm)		139.3	140.5	110	139.3	140.5	110	-	-	-	-	-	-	139.3	140.5	110	365	215	100	160	213	-	-
6" (150mm) (Low Flow)		164.6	167	110	164.4	167	110	167.4	168.5	110	167.4	168.5	110	159.4	160.5	110	375	230	100	187	213	-	-

CT-05(1/2"~2")

外牙鋼珠球閥

Male ST Ball Valve



NO	Parts	Q'TY	Material
1	Stem	1	BRASS
2	Nut	1	SUS 304
3	Handle	1	SUS 304
4	O-Ring	2	NBR/EPDM/VITON
5	Body	1	UPVC/CPVC/ABS/PP
6	Seat	2	TPR/FKM
7	Ball	1	SUS 304
8	Cap	1	UPVC/CPVC/ABS/PP

Thread End

NPT, BSPT

Socket End

CNS, JIS, ANSI, BS, DIN



UNIT:mm

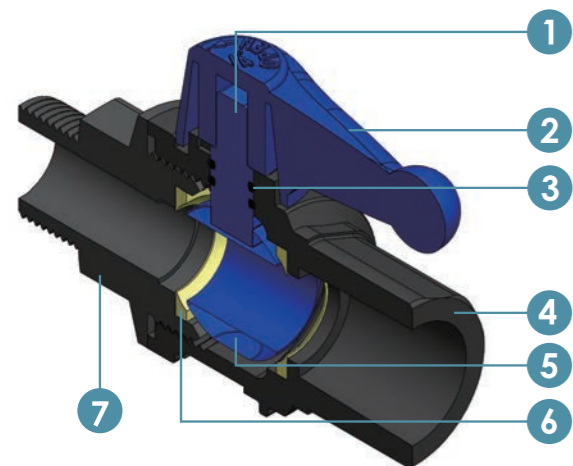
SIZE	NOM.	CNS			JIS			ANSI			BS			DIN			L	H	d	D	W	N	
		D1	D2	L1	D1	D2	L1	D1	D2	L1	D1	D2	L1	D1	D2	L1						NPT	BSPT
1/2" (15mm)		21.72	22.16	26.4	21.72	22.16	26.4	20.98	21.48	26.6	20.98	21.48	26.6	19.98	20.48	26.5	89	61	14.9	32.7	83	14	14
3/4" (20mm)		25.62	26.36	30.4	25.62	26.36	30.4	26.22	27.04	30.6	26.22	27.04	30.6	24.22	25.04	30.5	105	72	19.9	37.7	83	14	14
1" (25mm)		32.82	34.12	33.3	30.82	32.12	33.2	33.08	34.14	33.1	33.08	34.14	33.1	31.08	32.14	33.2	112	79	24.9	47.3	83	11.5	11
1-1/2" (40mm)		40.72	42.28	34.9	36.72	38.28	34.8	40.72	42.28	34.9	40.72	42.28	34.9	38.72	40.28	34.8	152	117	31.9	55.8	121	11.5	11
2" (50mm)		47.66	48.32	44.9	47.66	48.32	44.9	47.66	48.32	44.9	47.66	48.32	44.9	49.66	50.32	44.8	168	140	37.8	65.5	125	8	11
1" x 3/4" (25mm)		25.62	26.36	30.4	25.62	26.36	30.4	26.22	27.04	30.6	26.22	27.04	30.6	24.22	25.04	30.5	105	72	19.9	37.7	83	11.5	11
1-1/2"x1" (40mm)		32.82	34.12	33.3	30.82	32.12	33.2	33.08	34.14	33.1	33.08	34.14	33.1	31.08	32.14	33.2	120	79	24.9	47.3	83	11.5	11
2"x1-1/2" (50mm)		40.72	42.28	34.9	36.72	38.28	34.8	40.72	42.28	34.9	40.72	42.28	34.9	38.72	40.28	34.8	154	117	31.9	55.8	121	8	11

產品特色

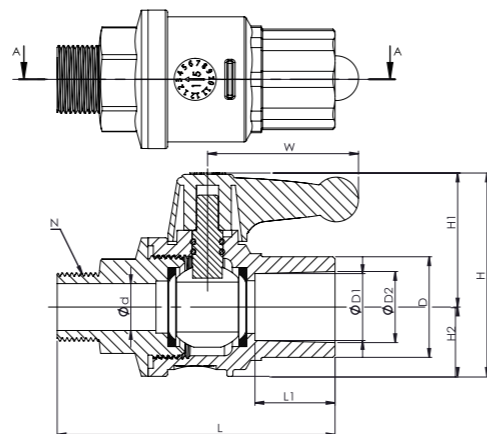
- 球仔與閥體俱獨特密封座設計，保證球閥轉動流暢、氣密良好。
- 本球閥採非鉛系安定劑之硬質PVC材質，無重金屬、無毒、無味。
- 把手、芯軸、塑膠球皆採ABS材質，耐候性佳、耐用性長。
- 芯軸採雙層O環設計，氣密性更佳。
- 每個閥體皆經多重壓力測試，以確保出廠高標準。

Product Features

- Distinctive design of the seat where it is between on the ball and body. It guarantee that tightness is good while turn on or off ball valve.
- The element of PVC ball valve is not to add lead, no heavy metal, no poison, no smell.
- Both handle and ball use stainless material (SUS 304) which is durable and not to get rusty.
- Axis use double o-ring which get better airtight.
- Every ABS Handle ABS Ball Valve pass multiple pressure test which guarantee not to leak.



NO	Parts	Q'TY	Material
1	Stem	1	UPVC/CPVC/ABS
2	Handle	1	ABS
3	O-Ring	2	NBR/EPDM/VITON
4	Body	1	UPVC/CPVC/ABS/PP
5	Ball	1	UPVC/CPVC/ABS
6	Seat	2	TPR/FKM
7	Cap	1	UPVC/CPVC/ABS/PP



Thread End

NPT, BSPT

Socket End

CNS, ANSI, BS, JIS, DIN



SIZE	NOM.	CNS			JIS			ANSI			BS			DIN			L	H	d	D	W	N	
		D1	D2	L1	D1	D2	L1	D1	D2	L1	D1	D2	L1	D1	D2	L1						NPT	BSPT
1/2" (15mm)	21.72	22.16	26.4	21.72	22.16	26.4	20.98	21.48	26.6	20.98	21.48	26.6	19.98	20.48	26.5	89	64.7	14.9	32.7	53	14	14	
3/4" (20mm)	25.62	26.36	30.4	25.62	26.36	30.4	26.22	27.04	30.6	26.22	27.04	30.6	24.22	25.04	30.5	105	77.4	19.9	37.7	57	14	14	
1" (25mm)	32.82	34.12	33.3	20.82	32.12	33.2	33.08	34.14	33.1	33.08	34.14	33.1	31.08	32.14	33.2	112	87.8	24.9	47.3	70	11.5	14	
1-1/2" (40mm)	40.72	42.28	34.9	36.72	38.28	34.8	40.72	42.28	34.9	40.72	42.28	34.9	38.72	40.28	34.8	152	114.1	31.9	55.8	88	11.5	11	
2" (50mm)	47.66	48.32	44.9	47.66	48.32	44.9	47.66	48.32	44.9	47.66	48.32	44.9	49.66	50.32	44.8	168	136.6	37.8	65.5	99	8	11	
1" x 3/4" (25mm)	25.62	26.36	30.4	25.62	26.36	30.4	26.22	27.04	30.6	26.22	27.04	30.6	24.22	25.04	30.5	105	77.4	19.9	37.7	57	11.5	11	
1-1/2" x 1" (40mm)	32.82	34.12	33.3	30.82	32.12	33.2	33.08	34.14	33.1	33.08	34.14	33.1	31.08	32.14	33.2	120	87.8	24.9	47.3	70	11.5	11	
2" x 1-1/2" (50mm)	40.72	42.28	34.9	36.72	38.28	34.8	40.72	42.28	34.9	40.72	42.28	34.9	38.72	40.28	34.8	154	114.1	31.9	55.8	88	8	11	

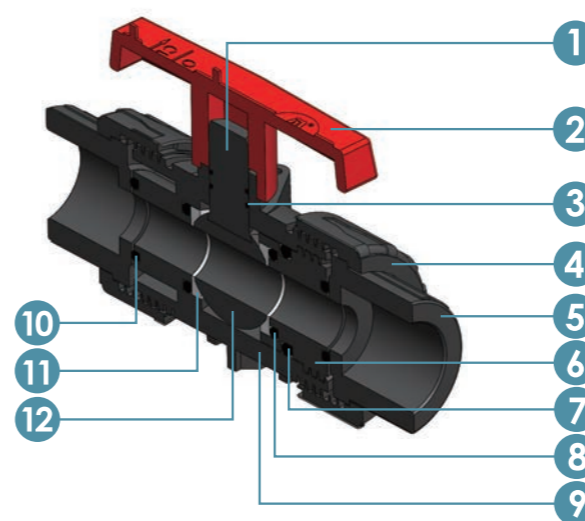
UNIT:mm

產品特色

- 安裝容易，快速維修更換。
- 可同時當由令及閥門使用。
- 可安裝電動及氣壓缸 (ISO 5211)。
- 具有耐酸鹼特性。

Product Features

- Easy to install, quick repair and replacement.
- Can be used at the same time as the valve and valve.
- Electric and pneumatic cylinders (ISO 5211) can be installed.
- With acid and alkali characteristics.



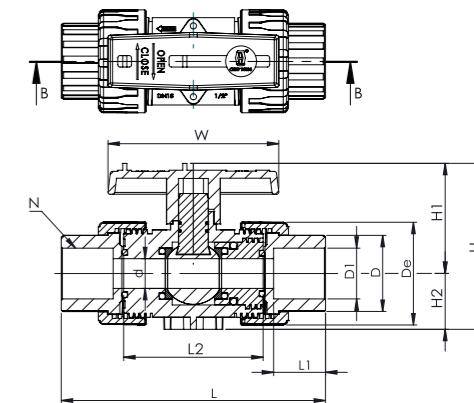
NO	Parts	Q'TY	Material
1	Stem	1	UPVC/CPVC
2	Handle	1	ABS
3	Stem O-Ring	2	EPDM/FPM
4	Union Nut	2	UPVC/CPVC
5	End Connector	2	UPVC/CPVC
6	Seal Carrier	1	UPVC/CPVC
7	Carrier O-Ring	1	EPDM/FPM
8	Seat O-Ring	2	EPDM/FPM
9	Body	1	UPVC/CPVC
10	Union O-Ring	2	EPDM/FPM
11	Seat Seal	2	PTFE
12	Ball	1	UPVC/CPVC

Thread End

NPT, BSPT

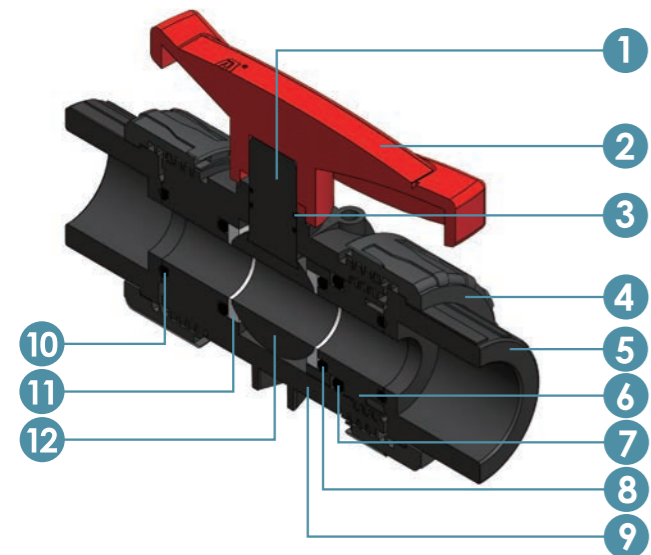
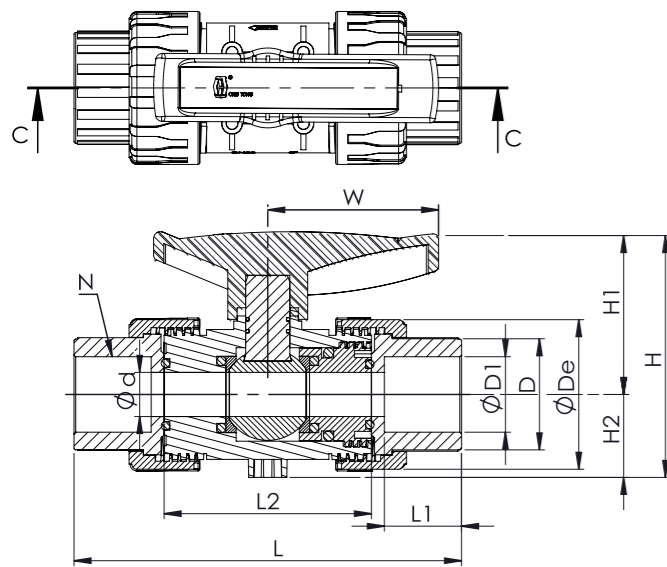
Socket End

CNS, ANSI, BS, JIS, DIN



SIZE	NOM.	CNS		JIS		ANSI		DIN		L	L2	H1	H2	d	D	De	W	N		
		D1	L1	D1	L1	D1	L1	D1	L1									NPT	BSPT	BSPF
1/2" (15mm)	22	22.5	22	22.5	21.34	22.5	20	20	116	62	49	23.5	13	32	46	74	14	14	14	
3/4" (20mm)	26	25.7	26	25.7	26.67	25.7	25	23	133	72	60	29	19	38	56	87	14	14	14	
1" (25mm)	34	28.9	32	28.9	33.4	28.9	32	26	150	80	68	35	25	45	66	100	11.5	11	11	
1-1/4" (32mm)	42	33.8	38	33.8	42.16	33.8	40	31	168	87	76	42.5	31	55	82	110	11.5	11	11	
1-1/2" (40mm)	48	35	48	35	48.26	35	50	34	173	94	89	50.5	40	67	98	121	11.5	11	11	
2" (50mm)	60	38.5	60	38.5	60.32	38.5	63	38.5	206	112	107	61	50	81	120	147	11.5	11	11	

UNIT:mm



NO	Parts	QTY	Material
1	Stem	1	UPVC/CPVC
2	Handle	1	ABS
3	Stem O-Ring	2	EPDM/FPM
4	Union Nut	2	UPVC/CPVC
5	End Connector	2	UPVC/CPVC
6	Seal Carrier	1	UPVC/CPVC
7	Carrier O-Ring	1	EPDM/FPM
8	Seat O-Ring	2	EPDM/FPM
9	Body	1	UPVC/CPVC
10	Union O-Ring	2	EPDM/FPM
11	Seat Seal	2	PTFE
12	Ball	1	UPVC/CPVC

Thread End

NPT, BSPT

Socket End

CNS, ANSI, BS, JIS, DIN



SIZE	NOM.	CNS		JIS		ANSI		DIN		L	L2	H1	H2	d	D	De	W	N		
		D1	L1	D1	L1	D1	L1	D1	L1									NPT	BSPT	BSPF
2-1/2" (65mm)		76	45	76	45	73.02	45	75	45	254	147	140	82	75	92	162	118	8	11	11
3" (80mm)		89	51	89	51	88.9	48	90	51	262	147	140	82	75	108	162	118	8	11	11
4" (100mm)		114	61	114	61	114.3	57.5	110	61	311	177	185	111	100	134	220	140	8	11	11

UNIT:mm



Pressure Loss Calculation Formula

$$\Delta P = (Q/Cv)^2$$

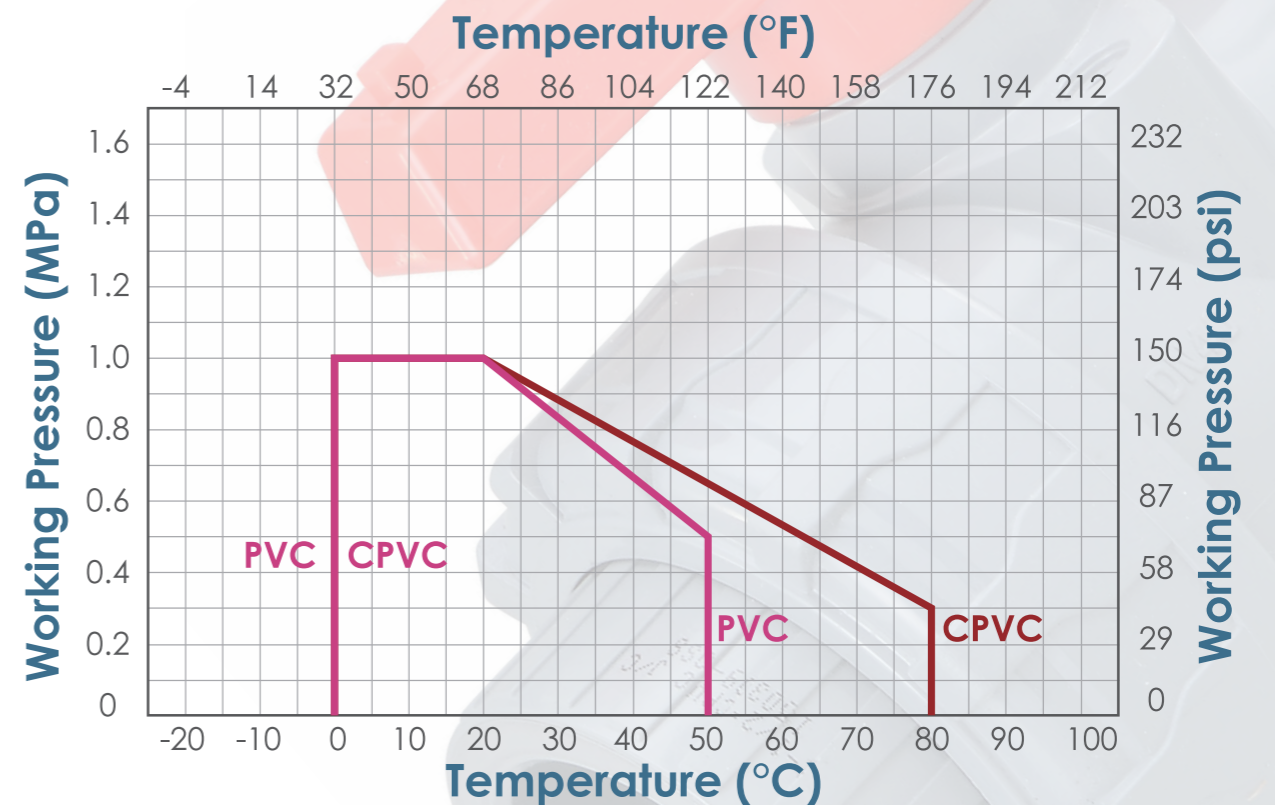
ΔP : Pressure Drop Q : Flow in GPM
 Cv : Flow Coefficient

產品特色

- CPVC採日本系統原料，可耐高溫近攝氏100°C及優異抗腐蝕性，屬工業級材質。
- 化學穩定性高，有極佳的耐候性，使用壽命長。
- O-Ring使用Viton材質，Seat使用PTFE材質，兩者均耐溫攝氏200°C-250°C。

Product Features

- CPVC adopts Japanese system raw materials, can withstand high temperature up to 100°C and excellent corrosion resistance, and is an industrial grade material.
- High chemical stability, excellent weather resistance and long service life.
- O-Ring uses Viton material, Seat uses PTFE material, both are temperature resistant to 200 °C -250 °C

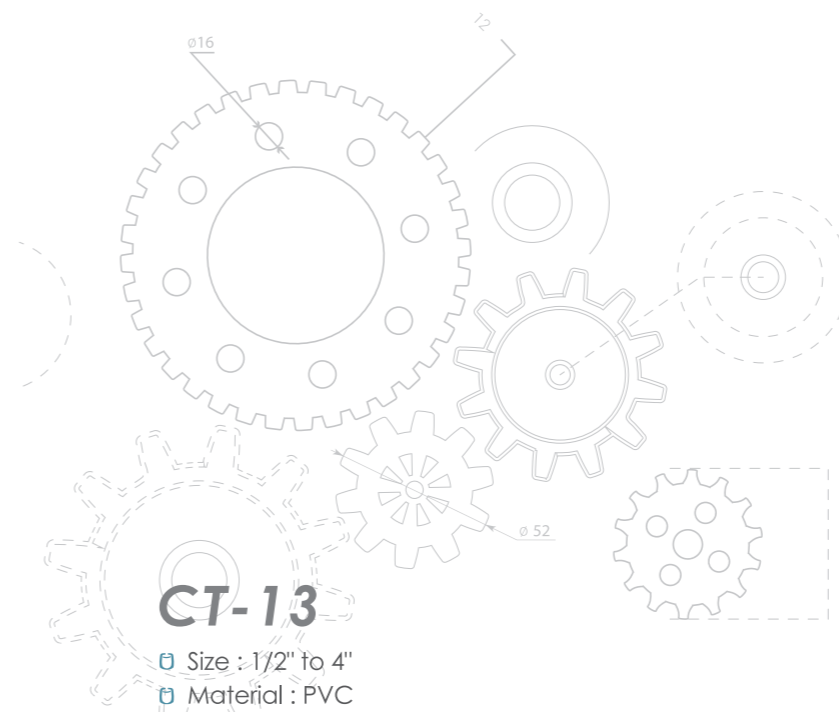
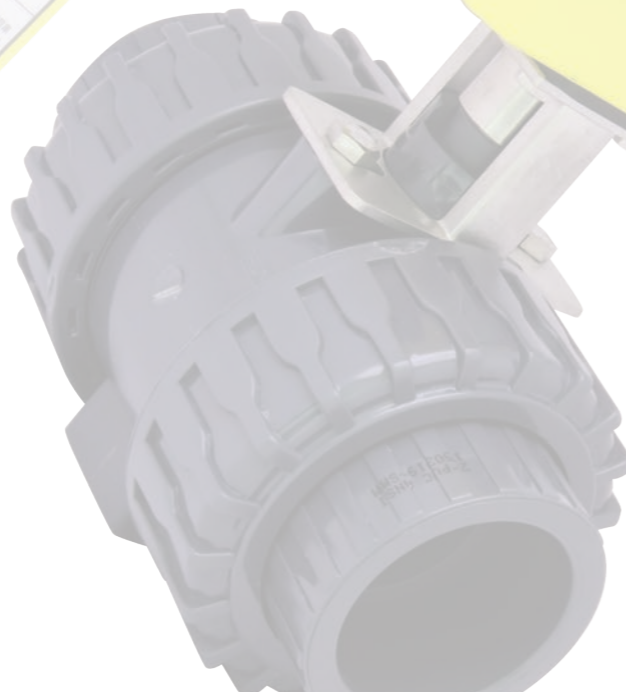


產品特色

- ❑ 外殼：防水級數IP67 (水下一米，30分鐘)，可適用戶外各種環境。殼罩部份使用耐高溫、耐撞擊等特性之鋁合金。耐酸鹼部份可做3-5道漆塗層或 EPOXY 1道塗層 (選購)。
- ❑ 馬達：體積小、低耗電、大扭力。全系列馬達絕緣等級為F級。AC馬達內部標準均配有過熱保護裝置，有效避免馬達過熱故障。
- ❑ 開度指示：全系列電動驅動器產品均在頂部配有機械式指針開度指示器。也可經由配線至控制箱，由指示燈顯示開度位置。
- ❑ 手動裝置：全系列電動驅動器均配有手動裝置，提供停電時操作，可使用扳手或是手輪操作 (依型號有所不同)。
- ❑ 閥體銜接座：直接鎖入組合需符合 ISO 5211 規範。不符合 ISO 5211 規範或使用蒸汽、高溫流體時，需採用托架式連接組合。
- ❑ 工作條件：環境溫度 -10°C ~ 60°C
濕度 30% ~ 95%
- ❑ 特殊電壓：例：三相 220V / 380V / 440V 等，可依客戶需求訂製 (JH-150起)。

Product Features

- ❑ Enclosure : IP67 rated waterproof and dustproof enclosure. The enclosure is made of Aluminum enclosure which can resist against heat and alkali. For resist against acid, can do plating 3-5 layers or epoxy 1 layer is optional.
- ❑ Motor : It is small, low consumption, and has large torque. The insulation class of all models is F class. There is overheating protection device in the motor, which can protect the motor from overheating.
- ❑ Position Indicator : All models have a constant mechanical position indicator on the top of the actuator cover to indicate the position of the valve. It can also be wired to the control box, and it will show the opening position via indicator signal.
- ❑ Manual Override Device : There are manual override device in the electric actuator, which is used when the power supply is cut. You can use wrench or hand wheel to adjust.
- ❑ Flange / Mounting Type (ISO 5211) : JH-10 to JH-3500 provides direct mounting on ISO 5211 valves. If the valve doesn't apply with ISO 5211, the fluid is steam or other high temperature fluid, it needs to use the mounting kit to mount the electric actuator and valve.
- ❑ Working condition : Ambient temperature -10°C - 60°C
The Humidity 30% - 95%
- ❑ Special Voltage : For example : three-phase voltage 220V / 380V / 440V is available. (Start from JH-150.)



CT-13

- ❑ Size : 1/2" to 4"
- ❑ Material : PVC
- ❑ Socket End : CNS,ANSI,BS,JIS,DIN
- ❑ Thread End : NPT,BSPT

齒輪式雙由令球閥

Gear Type Double Ball Valve



AIR TORQUE 氣缸

- ❑ 鋁合金擠製一體成型的本體，外型簡潔。
- ❑ 本體內、外部均做陽極防鏽處理。
- ❑ 雙排齒、齒輪式緊密的設計結構。
- ❑ 缸體各具有獨立的角度行程調整螺絲，可在0°和90°間有±15°的調整範圍。

工作條件：

- 操作供應的氣源為：4-8Bar。
- 適合作業環境溫度：-20°C~+80°C。

CT-15

- ❑ Size : 1/2" to 4"
- ❑ Material : PVC
- ❑ Socket End : CNS,ANSI,BS,JIS,DIN
- ❑ Thread End : NPT,BSPT

單(雙)動氣動雙由令球閥

Single(Double)-Acting Pneumatic Actuator Double Union Ball Valve



產品特色

- ☐ 接口有平口或牙口。
- ☐ 安裝簡易、操作方便。
- ☐ 耐熱、耐高壓、使用壽命長。
- ☐ 每個閥體皆經壓力測試後出廠，滲漏率最低。

Product Features

- ☐ Easy to install and operate.
- ☐ Heat-resistant, pressure-resistant, long life span.
- ☐ Connector have SOCKET or THREAD types.
- ☐ Each valve pass pressure test, lowest leaking rate.

CT-20

- ☐ Size : 3/4" to 2"
- ☐ Material : PVC
- ☐ Socket End : CNS, JIS, BS, ANSI, DIN



重力式逆止閥

Gravity Check Valve

CT-21

- ☐ Size : 2-1/2" to 6"
- ☐ Material : PVC
- ☐ Socket End : CNS, JIS, BS, ANSI
- ☐ Thread End : NPT, BSPT



擺動式逆止閥

Swing Check Valve

CT-22

- ☐ Size : 1/2" to 4"
- ☐ Material : PVC
- ☐ Socket End : CNS, JIS, BS, ANSI, DIN
- ☐ Thread End : NPT, BSPT



彈簧式逆止閥

Spring Check Valve

CT-23

- ☐ Size : 1/2" to 3"
- ☐ Material : PVC
- ☐ Socket End : CNS, JIS, BS, ANSI, DIN
- ☐ Thread End : NPT, BSPT



由令式逆止閥

Union Check Valve



CT-24

- ☐ Size : 1/2" to 4"
- ☐ Material : UPVC
- ☐ Socket End : CNS, JIS, BS, ANSI, DIN
- ☐ Thread End : NPT, BSPT



雙由令球型逆止閥

Two Union Ball Check Valve

CT-25

- ☐ Size : 2-1/2" to 6"
- ☐ Material : PVC
- ☐ Socket End : CNS, JIS



法蘭口逆止閥

Flange Check Valve

CT-26

- ☐ Size : 1/2" to 8"
- ☐ Material : CPVC
- ☐ Socket End : ANSI, JIS, DIN



CPVC擺動式逆止閥(法蘭口)

CPVC Swing Check Valve (Flange)

CT-27

- ☐ Size : 3/4" to 2"
- ☐ Material : PVC
- ☐ Socket End : CNS, JIS



雙截式逆止閥

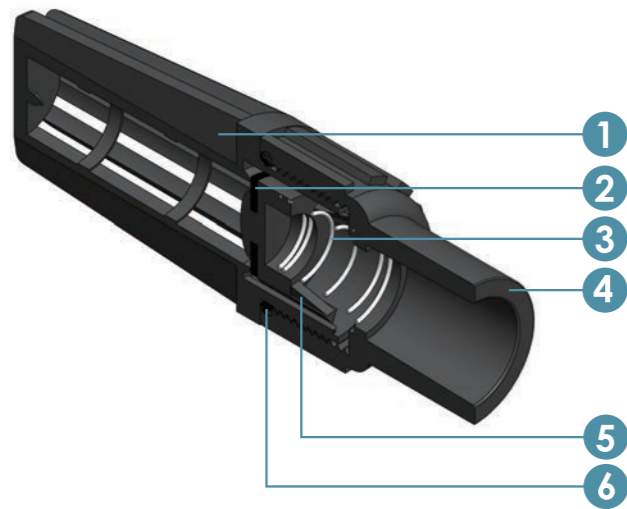
Two Pieces Type Check Valve

產品特色

- ☐ 接口有平口或牙口。
- ☐ 安裝簡易、操作方便。
- ☐ 耐熱、耐高壓、使用壽命長。
- ☐ 每個閥體皆經壓力測試後出廠，滲漏率最低。

Product Features

- ☐ Easy to install and operate.
- ☐ Heat-resistant, pressure-resistant, long life span.
- ☐ Connector have SOCKET or THREAD types.
- ☐ Each valve pass pressure test, lowest leaking rate.



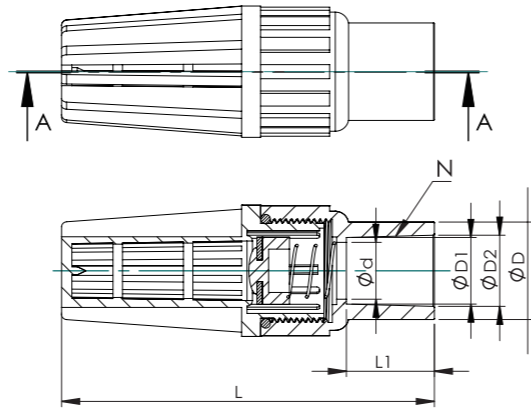
NO	Parts	Q'TY	Material
1	Seat	1	UPVC/CPVC/PP
2	Washer	1	NBR/EPDM/VITON
3	Spring	1	SUS 304
4	Cap	1	UPVC/CPVC/PP
5	Plugs	1	UPVC/CPVC/PP
6	O-Ring	1	NBR/EPDM/VITON

Thread End

NPT, BSPT

Socket End

CNS, JIS, ANSI, BS, DIN



UNIT:mm

SIZE	NOM.	CNS			JIS			ANSI			BS			DIN			L	d	D	N	
		D1	D2	L1	D1	D2	L1	D1	D2	L1	D1	D2	L1	D1	D2	L1				NPT	BSPT
3/4"	(20mm)	25.34	26.48	32.5	25.34	26.48	32.5	26.02	26.92	32.8	26.02	26.92	32.8	24.45	25.58	31.1	140.1	19.88	35.6	14	14
1"	(25mm)	33.36	34.38	39.4	31.62	32.66	38.3	33.12	33.62	39.6	33.12	33.62	39.6	31.62	32.66	38.3	154.6	25.52	42.2	11.5	11
1-1/4"	(32mm)	41.36	42.64	39.7	37.37	38.64	39.5	41.36	42.64	39.7	41.36	42.64	39.7	39.36	40.64	39.6	154.8	25.62	50.4	11.5	11
1-1/2"	(40mm)	47.72	48.42	53.2	47.72	48.42	53.2	47.72	48.42	53.2	47.72	48.42	53.2	49.58	50.82	53.6	205.6	39.98	62.4	11.5	11
2"	(50mm)	59.52	60.16	59.9	59.52	60.16	59.9	59.52	60.16	59.9	59.52	60.16	59.9	62.64	63.82	60.2	211.8	50.88	72.9	11.5	11
3"	(80mm)	88.58	89.92	74.4	88.58	89.92	74.4	88.58	89.92	74.4	88.58	89.92	74.4	89.58	90.92	74.6	301.1	77.62	103.4	8	11

CT-33

- ☐ Size : 1/2" to 2"
- ☐ Material : PVC
- ☐ Socket End : CNS, JIS, BS, ANSI, DIN
- ☐ Thread End : NPT, BSPT



雙由令球型底閥

Double Union Ball Foot Valve

CT-31

- ☐ Size : 2-1/2" to 6"
- ☐ Material : PVC
- ☐ Socket End : CNS, JIS, BS, ANSI
- ☐ Thread End : NPT, BSPT



擺動式底閥

Swing Foot Valve

CT-34

- ☐ Size : 1 1/4" to 4"
- ☐ Material : PVC



進水管底閥

Hose End Foot Valve

CT-32

- ☐ Size : 2-1/2" to 6"
- ☐ Material : PVC
- ☐ Socket End : CNS, JIS



法蘭口底閥

Flange Foot Valve

CT-35

- ☐ Size : 1/2" to 4"
- ☐ Material : PVC
- ☐ Socket End : ANSI, JIS, DIN
- ☐ Thread End : NPT, BSPT



福特球型凡而(直式)

Foot Ball Valve (Vertical)

產品特色

- ☐ 精準流量控制。
- ☐ 較低操作力矩。
- ☐ 可安裝電動或氣壓缸(ISO 5211)。
- ☐ 把手可安裝鎖，可控制開關。
- ☐ 適合ASTM、DIN及JIS系統通用的螺栓孔。

Product Features

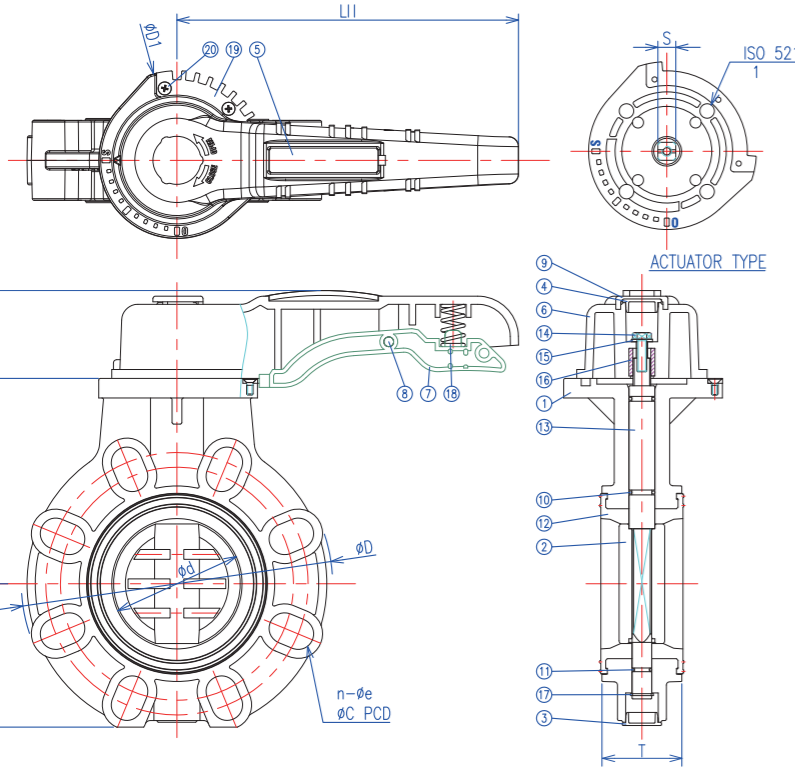
- ☐ Universal bolt holes suitable for ASTM、DIN and JIS systems.
- ☐ Precision flow control.
- ☐ Lower operation torque.
- ☐ For installing electric or Pneumatic cylinder (ISO 5211)
- ☐ Handle can install lock which can control switch



Socket End

CNS, ANSI, BS, JIS, DIN

NO	Parts	Q'TY	Material
1	Body	1	UPVC/CPVC
2	Disc	1	UPVC/CPVC
3	Body Cap	1	ABS
4	Handle Cap	1	ABS
5	Handle Cap	1	ABS
6	Handle	1	ABS
7	Small Handle	1	PPG
8	PIN	1	PPG
9	Clear Cap	1	AS
10	Stem O-Ring	2	EPDM/FPM
11	Stem O-Ring	1	EPDM/FPM
12	Seat	1	EPDM/FPM
13	Stem	1	SUS 410
14	Bolt	1	SUS 304
15	Washer	1	SUS 304
16	Insert	1	SUS 304
17	C-Ring	1	SUS 304
18	Spring	1	SUS 304
19	Gear	1	SUS 304
20	Bolt	3	SUS 304



CT-37

- ☐ Size: 2" to 14"
- ☐ Material: PVC, CPVC
- ☐ Socket End: ANSI, JIS, DIN

產品特色

- ☐ 齒輪式手動開關，流量控制可微調，操作省力簡單。
- ☐ 具耐酸鹼特性。

Product Features

- ☐ Gear type manual switch, flow control can be fine-tuned, easy to operate and easy.
- ☐ With acid and alkali resistance



齒輪式蝶閥

Gear Type Butterfly Valve

CT-38

- ☐ Size : 2" to 8"
- ☐ Material : PVC
- ☐ Socket End : CNS, JIS, BS, ANSI, DIN

電動蝶閥

Electric Actuator Butterfly Valve



CT-38

- ☐ Size : 2" to 8"
- ☐ Material : PVC
- ☐ Socket End : CNS, JIS, BS, ANSI, DIN

單(雙)動氣動蝶閥

Single(Double)- Acting Pneumatic Actuator Butterfly Valve



SIZE	NOM.	D	T	LH	H1	H2	H3	d	ANSI		DIN		JIS		D1	S	ISO5211
									øC	n-øe	øC	n-øe	øC	n-øe			
2" (50mm)		156	43	210	103	72	158	57	120.7	4-19	125	4-18	120	4-19	110	11	F05/F07
2-1/2" (65mm)		177	46	210	114	80	168	68	139.5	4-19	145	4-18	140	4-19	110	11	F05/F07
3" (75mm)		191	49	210	126	88	180	78	152.4	4-19	160	8-18	150	8-19	110	11	F05/F07
4" (100mm)		223	56	210	143	103	198	98	190.5	8-19	180	8-18	175	8-19	110	14	F07
5" (125mm)		253	64	280	170	117	234	122	215.9	8-19	210	8-18	210	8-23	156	17	F07/F10
6" (150mm)		279	10	280	181	129	245	145	241.5	8-23	240	8-23	240	8-23	156	17	F07/F10
8" (200mm)		337	71	330	218	162	287	195	298.5	8-23	295	8-23	290	12-23	156	22	F10

UNIT:mm

產品特色

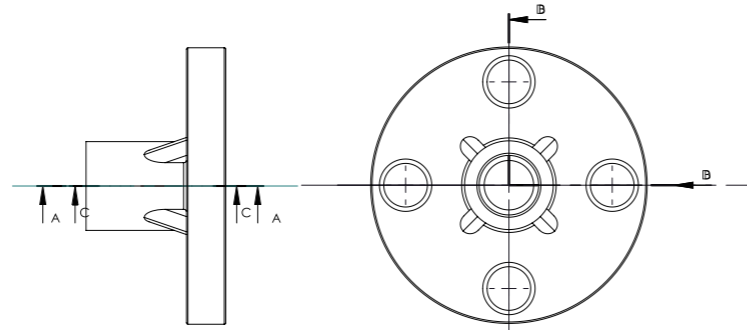
本球閥採非鉛系安定劑之硬質PVC材質，無重金屬、無毒、無味。

Product Features

The element of PVC ball valve is not to add lead, no heavy metal, no poison, no taste.

Socket End

CNS, ANSI, JIS, DIN

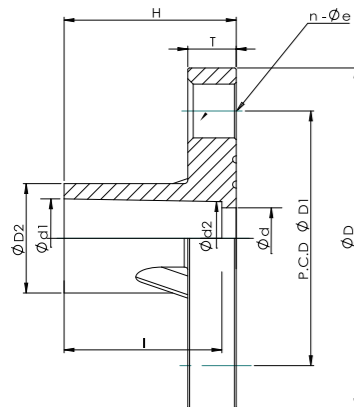


適用範圍

- 法蘭片廣泛地應用於需流量控制、壓力控制、栓閉之設備。
- 適用於水製程系統以及一般民生相關之輸送、排水系統
(大樓、工廠、環境工程廢水處理、工業應用、船舶設備、游泳池、農魚業灌溉等。)

Application

- Flange is used in a wide range of applications, including flow control and shutoff.
- It is suitable for water supply to house, waste water treatment, agriculture, agricultural irrigation, multiple industrial use, etc.



CNS

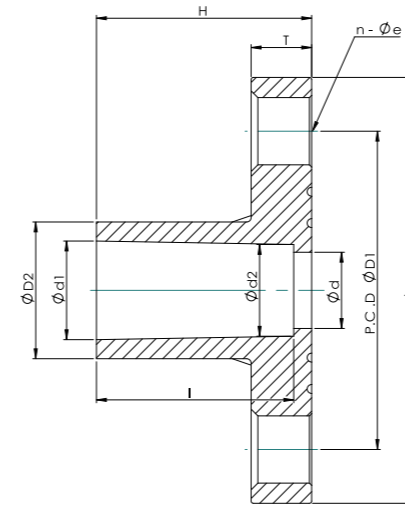
UNIT:mm

SIZE	Item	ØD	ØD1	ØD2	Ød	Ød1	Ød2	H	T	I	n-Øe
3/8" (13mm)	-	-	-	-	-	-	-	-	-	-	-
1/2" (15mm)	94.8	70.2	30.18	17.26	22.26	21.56	46.72	13.53	43.46	4-15	
3/4" (20mm)	99.46	74.08	34.24	21.12	26.24	25.58	51.24	15.46	44.28	4-15	
1" (25mm)	123.86	80.38	42.04	26.82	34.24	33.6	50.58	15.02	44.74	4-18	
1-1/4" (32mm)	130.03	95.34	50.62	35.82	42.56	40.62	52.02	15.26	45.08	4-20	
1-1/2" (40mm)	138.06	102.52	59.90	40.32	48.26	47.84	66.1	15.8	60.8	4-18	
2" (50mm)	152.6	117.5	71.44	52.62	60.24	59.78	67.7	16.02	63.72	4-18	
2-1/2" (65mm)	174	140.4	88.6	66.14	77.04	75.8	85	20	77.86	4-19	
3" (80mm)	181	147	103	78	90	87.8	85	19	73	8-19	
4" (100mm)	208	170	129	99	115	110	109	20	94	8-19	
5" (125mm)	248	208	160	122	104	103	101	19	97	8-23	
6" (150mm)	278	239	186	144	166	162	140	27	125	8-23	
8" (200mm)	333	292	238	204	217	210	167	30	157	12-22	
10" (250mm)	404	359	290	250	270	260	195	33	180	12-24	
12" (300mm)	450	404	345	300	320	315	220	34	208	16-24	
14" (350mm)	492	445	402	345	374	368	300	34	288	16-25	

ANSI 150PSI FLANGE (one piece)

UNIT:mm

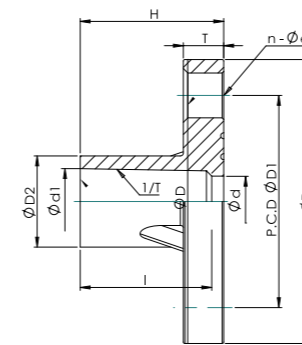
SIZE	Item	ØD	ØD1	ØD2	Ød	Ød1	Ød2	H	T	I	n-Øe
3/8" (13mm)	-	-	-	-	-	-	-	-	-	-	-
1/2" (15mm)	89	61	33	15	21.54	21.23	25	11	22.22	4-16	
3/4" (20mm)	98	70	40	25	26.87	26.57	29	12	25.4	4-16	
1" (25mm)	103	79	48	31	33.62	33.27	31.7	14	28.58	4-16	
1-1/4" (32mm)	117	89	57	40	42.42	42.04	35	16	31.75	4-16	
1-1/2" (40mm)	127	98	65	46	48.56	48.11	38	17.5	34.93	4-16	
2" (50mm)	152	121	78	57.5	60.63	60.17	41.3	19	38.1	4-19	
2-1/2" (65mm)	178	140	92	70	73.38	72.85	47.6	22	44.45	4-19	
3" (80mm)	191	152	109	78	89.31	88.7	50.8	23.5	47.63	4-19	
4" (100mm)	229	191	139	111.5	114.76	114.07	61	24	57.15	8-19	
5" (125mm)	254	216	167	136	141.81	141	82.5	28.5	66.7	8-23	
6" (150mm)	280	241	186	166	168.83	168	142	25.5	76.2	8-23	
8" (200mm)	342	299	255	209	219.84	218.7	131	28	102	8-23	
10" (250mm)	405	362	291	246	273.81	272.67	170	31	123	12-25	
12" (300mm)	480	432	343	296	324.61	323.47	173	33	165	12-25	



JIS 10K

UNIT:mm

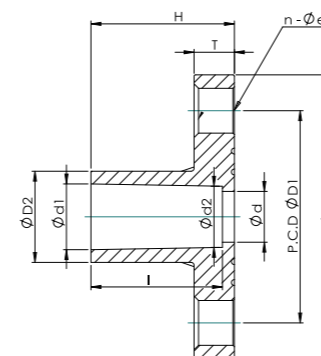
SIZE	Item	ØD	ØD1	ØD2	Ød	Ød1	H	T	I	n-Øe	1/T
3/8" (13mm)	-	-	-	-	-	-	-	-	-	-	-
1/2" (15mm)	95	70	31	18	22.4	35	14	30	4-15	1/34	
3/4" (20mm)	100	75	35	22	26.45	40	15	35	4-15	1/34	
1" (25mm)	125	90	42.5	25	32.55	46	15	40	4-19	1/34	
1-1/4" (32mm)	135	100	48.5	30	38.6	50.5	16	44	4-19	1/34	
1-1/2" (40mm)	140	105	61	41	48.7	61.5	16	55	4-19	1/37	
2" (50mm)	155	120	73	52	60.8	71	20	63	4-19	1/37	
2-1/2" (65mm)	175	140	90	67	76.6	70	22	61	4-19	1/48	
3" (80mm)	185	150	105	78	89.6	73	22	64	8-19	1/49	
4" (100mm)	210	175	132	100	114.7	93	22	84	8-19	1/56	
5" (125mm)	250	210	158	125	140.8	114	24	104	8-23	1/58	
6" (150mm)	280	240	186	146	166	142	26	132	8-23	1/63	
8" (200mm)	330	290	238	196	217.5	161	28	145	12-23	1/50	
10" (250mm)	400	355	289	247	267.7	167	30	155	12-25	1/55	
12" (300mm)	445	400	341	298	318.7	167	30	155	16-25	1/55	



DIN PN10

UNIT:mm

SIZE	Item	ØD	ØD1	ØD2	Ød	Ød1	Ød2	H	T	I	n-Øe
3/8" (13mm)	-	-	-	-	-	-	-	-	-	-	-
1/2" (15mm)	95	65	28	16	20.3	19.9	24	12.5	21	4-14	
3/4" (20mm)	105	75	33	21	25.3	24.9	21.5	14	19	4-14	
1" (25mm)	115	85	41	28	32.3	31.9	24.5	14	22	4-14	
1-1/4" (32mm)	140	100	50	36	40.3	39.9	28	14	26	4-18	
1-1/2" (40mm)	150	110	61	45	50.3	49.9	33.5	16	31	4-18	
2" (50mm)	164	125	76	57	63.3	62.9	41	16	38	4-18	
2-1/2" (65mm)	185	145	90	69.5	75.36	74.9	46	16	43.5	4-18	
3" (80mm)	200	160	108	82	90.5	89.9	55	18	50.5	8-18	
4" (100mm)	220	180	131	103	110.6	109.9	65	18	60.5	8-18	
5" (125mm)	254	210	167	136	140.85	140.05	82.5	28.5	77	8-23	
6" (150mm)	280	240	186	146.5	160.85	160.05	141.5	25.5	132	8-23	
8" (200mm)	340	295	255	215	226.25	225.05	131	28	119	8-23	
10" (250mm)	396	350	290	240	251.45	250.05	149	31	131	12-23	
12" (300mm)	445	400	362	303	316.85	315.05	182	33	164	12-23	





CT-40

- Size : 1/2" to 10"
- Material : PVC
- Socket End : CNS, JIS

盲法蘭

Blind Flange

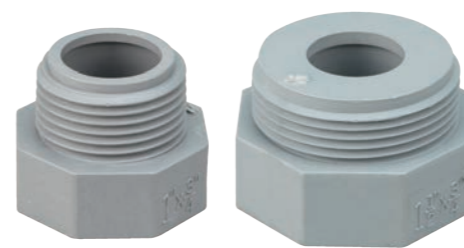


CT-41

- Size : 1/2" to 14"
- Material : SBR
- End Type: CNS, JIS
- Working Pressure : 150 PSI

法蘭片膠墊

Gasket



CT-45

- Size : 3/4"x1/2" to 2"x1-1/2"
- Material : PVC
- Connection Type : BSPT

水塔卜申

Reducing Bush



CT-46

- Size : 1/2" to 3"
- Material : PVC, CPVC
- Socket End : ANSI, JIS, DIN

Y 型過濾器

Y Type Strainer

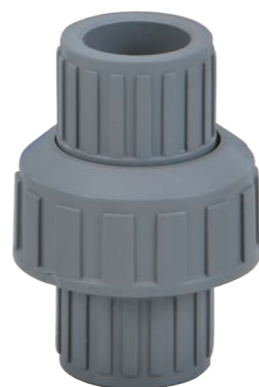


CT-42

- Size : 3/8" to 4"
- Material : PVC, CPVC
- Connection Type : IPS

快速接頭

Compression Coupling

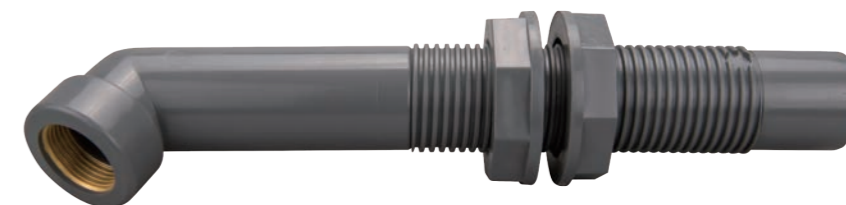


CT-43

- Size : 1/2" to 4"
- Material : PVC
- Socket End : CNS, JIS, BS, ANSI, DIN
- Thread End : NPT, BSPT

由令

Union

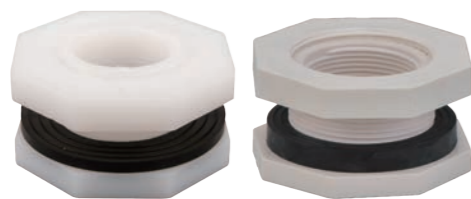


CT-47

- Size : 1/2" to 3/4"
- Material : PVC
- Connection Type : BSPT, NPT

水塔加長套銅彎頭-進水口

Extended Brass Insert For Water Tower - Intake



CT-44

- Size : 1/2" to 4"
- Material : PE, PVC, SE
- Connection Type : BSPT, NPT

水桶接頭

Tank Connector



CT-44

- Size : 1/2" to 4"
- Material : EPDM
- Socket End : CNS, JIS

橡膠束環

Rubber Ring



CT-48

- Size : 1"x3/4" to 1-1/2"x1"
- Material : PVC
- Connection Type : BSPT, NPT

水塔 45 度閘接頭

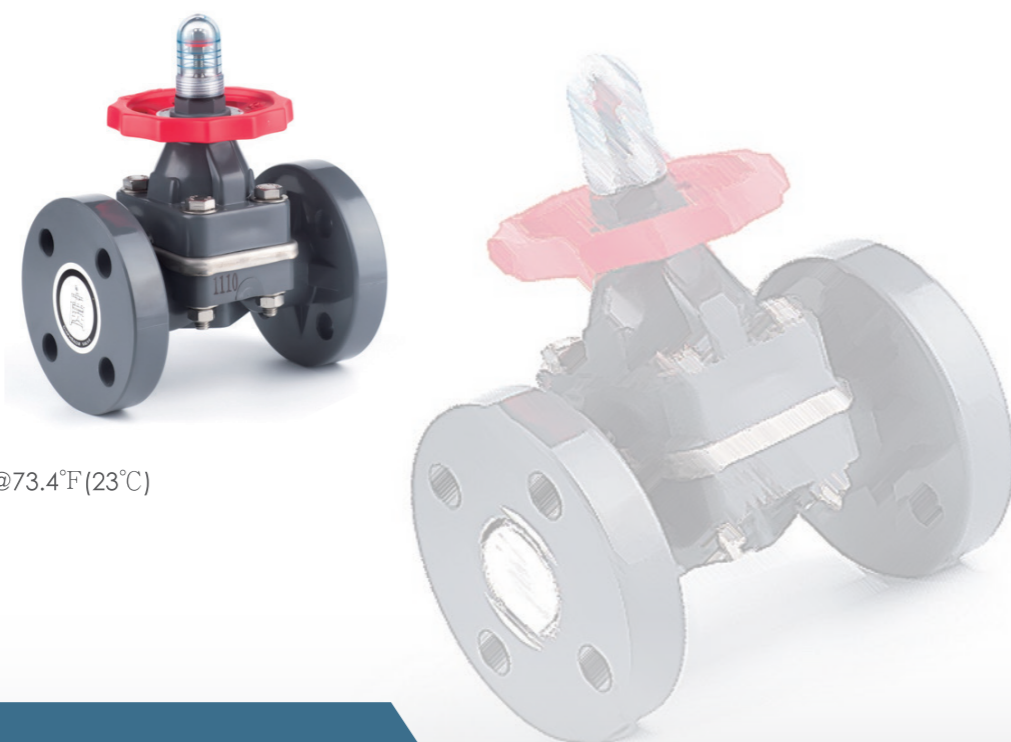
Water Tower 45°
Valve Connector

CT-49

- Size : 1-1/2" to 5"
- Material : PVC

防臭排水接頭

Deodorizing Drain
Connector

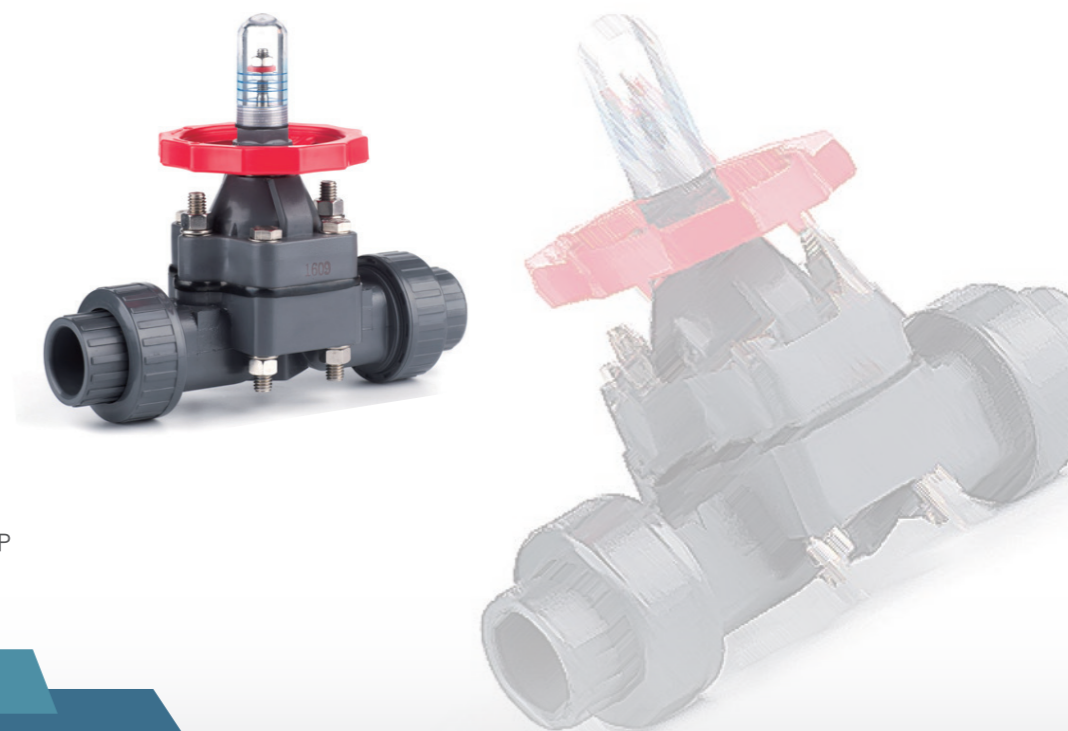


CT-50

- 工作壓力：
1/2"~3" 150 PSI, 4"~6" 72PSI, 8" 43 PSI@73.4°F(23°C)
- Size : 1/2" to 8"
 - Material : UPVC, CPVC, PVDF, PP
 - Connection Type :
ANSI, JIS, DIN

法蘭式隔膜閥

Diaphragm Valve (Flanged)



CT-51

- 工作壓力：100 PSI@73.4°F(23°C)
- Size : 1/2" to 2"
 - Material : UPVC, CPVC, PVDF, PP
 - Connection Type :
ANSI, JIS, DIN, BS

由令式隔膜閥

Diaphragm Valve

套銅

Brass Insert

CT-60

套銅彎頭

Elbow Brass Insert



- Size : 1/2" to 1"x3/4"
- Material : PVC
- Connection Type :
BSPT x CNS, NPT x ANSI

CT-61

套銅接頭

Socket Brass Insert



- Size : 1/2" to 1"x3/4"
- Material : PVC
- Connection Type :
BSPT x CNS, NPT x ANSI

CT-68

- Material : PVC
- Connection Type : BSPT x CNS, NPT x ANSI



重型套銅彎頭

Size : 1/2" to 1"

Heavy Elbow Brass Insert

CT-62

套銅三通

T.E.E Brass Insert



- Size : 1/2" to 1"x3/4"
- Material : PVC
- Connection Type :
BSPT x CNS, NPT x ANSI

CT-63

套銅外牙接頭

Male Thread Brass Insert



- Size : 1/2" to 2"
- Material : PVC
- Connection Type :
BSPT x CNS, NPT x ANSI

CT-64

套銅外牙彎頭

Male Thread Brass Insert



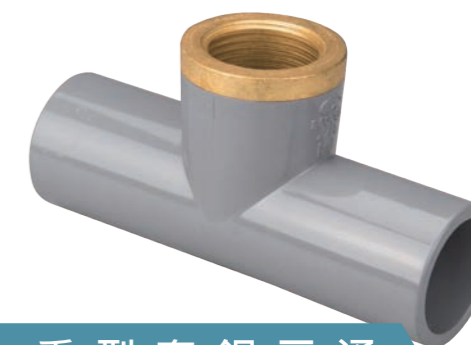
- Size : 1/2" to 1"
- Material : PVC
- Connection Type :
BSPT x CNS, NPT x ANSI



重型套銅接頭

Size : 1/2" to 1"

Heavy Socket Brass Insert



重型套銅三通

Size : 1/2" to 3/4"x1/2"

Heavy T.E.E Brass Insert

專利編號: TW Pat.W478701

久統液面控制器是性能優異的自動開關，利用一大一小兩顆水球之不同重量與浮力原理，依水面升降自動控制幫浦抽水或給水之用。



優點

加長型ST束口套銅牙龍口彎頭
較傳統型圓體銅塑彎頭

- ☐ 免去加內外轉接頭麻煩，避免接轉接頭所產生漏水之疑慮。
- ☐ 加長型ST束口彎頭由於SUS304不鏽鋼加強環的剛性與韌性，使得力矩超過 670 kgf.cm 都堅若磐石不會漏水！
- ☐ 加長型ST束口彎頭雖製造困難，但節省銅材料使售價低於圓體銅塑彎頭，是性價比(C/P Value)非常高的產品！

ST 束口彎頭 CT-65

ST Elbow Brass Insert

- ☐ Size : 1/2" to 1"
- ☐ Material : PVC
- ☐ Connection Type : BSPT x CNS, NPT x ANSI



ST 束口接頭 CT-66

ST Socket Brass Insert

- ☐ Size : 1/2" to 1"
- ☐ Material : PVC
- ☐ Connection Type : BSPT x CNS, NPT x ANSI



ST 束口三通 CT-67

ST T.E.E Brass Insert

- ☐ Size : 1/2" to 3/4"
- ☐ Material : PVC
- ☐ Connection Type : BSPT x CNS, NPT x ANSI



產品特色

- ☐ 耐候性效果加強：添加紫外線吸收劑，光安定效果抗UV與耐熱壽命優異。
- ☐ 頂部專利透氣孔：自來水氯氣蒸發快速，有效保持開關精確性及壽命。
- ☐ 可調式彈簧繩扣：特殊設計之繩扣，方便調整水位高度。
- ☐ 低水位加重水球：於低水位時於更能啟動開關作用，保障性高。
- ☐ 食品級HDPE材質：水球材質經SGS檢驗合格無著色劑，確保水源不污染。

規格

- ☐ 電壓：220V / 110V, 7.5A / 15A, 60HZ / 50HZ
- ☐ 極數：單極
- ☐ 開關壽命：斷續100萬次以上
- ☐ 電氣壽命：10萬次以上
- ☐ 水面控制範圍：0.2 ~ 5公尺
- ☐ 水槽壓力：同大氣壓力
- ☐ 氣溫範圍：5°C ~ 80°C
- ☐ 適用幫浦最大馬力：2.0 HP

安裝方法

將水球經由繩扣繫緊在控制器下方。控制器之正確固定位置宜在水槽頂部中央，如欲安裝在水槽內側壁，則需注意水球位置避免碰及槽壁。

Install

To fasten the water ball onto bottom of switch by stopper. The correct location of switch shall be on the center of sink's top. If want to install switch onto inside of sink's wall, please avoid waterballs not to touch the wall of sink.



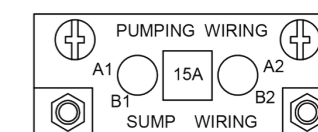
Product Features

- ☐ Strengthen weather resistance : Add Ultraviolet Light Absorbers which bring excellently light stable and heat-resistant.
- ☐ Top patented breathable holes : Chlorine evaporate quickly, keep switch's accuracy and lifetime effectively.
- ☐ Adjusted spring buckle : Special buckle design for adjusting water level conveniently.
- ☐ Heavier water ball at low water level : Easier to switch, guarantee good-using.
- ☐ Food-level HDPE material : Water balls' material get SGS approval which without coloring and make sure not to pollute water.

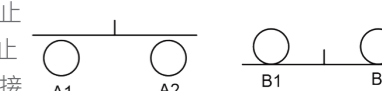
Specification

- ☐ Electric Voltage : 220V/110V, 7.5A/15A, 60HZ/50HZ
- ☐ Pole : Unipolar
- ☐ Switch Lifespan : on/off one million times
- ☐ Electric Lifespan : one hundred thousand times to use
- ☐ Control Range : 0.2 ~ 5 m
- ☐ Pressure : same as atmospheric pressure
- ☐ Temperature : 5°C ~ 80°C
- ☐ Max.Pump By Direct control : 2.0 HP

開關器設有A、B處二個迴路
A端子用於給水
B端子用於抽水



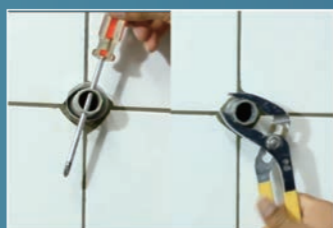
A1, A2 無水啟動，滿水停止
B1, B2 滿水啟動，無水停止
A接點與B接點，不可以連接



**加長型ST束口彎頭符合美規ASTM D2466耐壓標準，和具有財團法人金屬中心依台灣建築法規耐壓之測試OK檢驗報告。



免敲牆壁
Do not knock the wall



螺絲起子、夾子即可拆卸
Screwdriver、clip
can be removed



免用止洩帶
Free to stop with the tape

產品特色

- 專利特殊設計
免敲牆壁，螺絲起子、夾子即可拆卸。
免繞止洩帶，省工、省時、快速、方便。
- 品質認證：
經台灣檢驗科技 SGS 高水壓力測試 50kg。

Product Features

- Patented special design:**
No need to damage the wall, easily removed with a screwdriver and clip
No sealing tape is needed, saving time, manpower, and convenience
- Quality Certification:**
Taiwan SGS high pressure test 50 kg water pressure

胖牙塞
Fat Plug



長牙塞
Long Plug



P型落水管-清潔口
P Drain-Cleaning Mouth



S型落水管-清潔口
S Drain-Cleaning Mouth



P型落水管-伸縮加長
P Drain-Telescopic Extension



S型落水管-伸縮加長
S Drain-Telescopic Extension



按壓式 S T 面蓋排桿
ST Press Drain Pipe



產品特色

- 專利按壓式落水頭 (有溢水口、無溢水口)
特殊衛浴設備專利落水頭組，整組採ABS製作結構嚴密絕不漏水、可耐高溫，免工具好安裝，特殊中空設計好清洗。可有效除臭防蟲。
- SGS品質認證：
保證按壓10萬次。
保證耐100度高溫。
保證耐10%抗酸。(市面上清潔劑 2~6%稀釋鹽酸)

Product Features

- Patented pressure head (with overflow, no overflow)
Special sanitary equipment patent falls into the first group,
The whole group adopts ABS production structure and it will not leak water.
Can be high temperature resistant, tool-free installation, special hollow design and good cleaning.
- It can effectively deodorize and prevent insects.**
SGS quality certification:
Guaranteed to press 100,000 times.
Guaranteed high temperature of 100 degrees.
Guaranteed to resist 10% acid. (Cleaning agent on the market 2~6% diluted hydrochloric acid)



Capsule Shower Head

CT-70

Technology

一體成型出水片
膠囊過濾球

膠囊蓮蓬頭

多重功效

健康、美肌、香氛。

快速替換

替換式過濾球，簡單易操作。

省水增壓

出水量集中，
有效節約家庭用水。

滋潤保濕

凝膠球內能釋放膠原蛋白等營養素，
促進皮膚的柔嫩度，
讓秀髮柔順、有彈性。

多國專利，仿冒必究
Patented Products. Fake will be prosecuted.



SANITATION

五段蓮蓬頭



- 大面積出水面板
Large area water outlet panel.
- 五段式出水，享受SPA淋浴
Five-stage effluent, enjoy SPA shower.
- 矽膠出水孔，易於清理
Silicone water outlet, easy to clean.
- 輕巧華麗，淑女愛用
Light and gorgeous, ladies love to use.

PVC Color Hose

CT-70

PVC 彩色軟管

不銹鋼軟管

Stainless Steel Hose



最高溫度 Max. temperature	≤95°C
工作壓力 Working pressure	10 Bar
爆破壓力 Bursting pressure	35 Bar
最小彎曲度 Minimum bending radius	37



材質 Material	PVC
最高溫度 Max. temperature	≤80°C
水壓 Water pressure	10 - 30 Bar
最小彎曲度 Minimum bending radius	20





CHIU TONG

奧茲塔

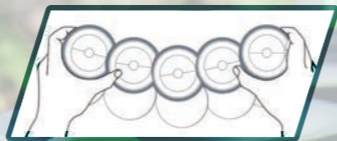
籬笆

Ostern Fence
CT-80



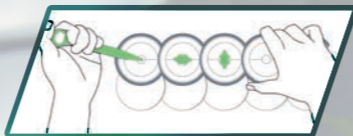
Step 1

Take out the fence and according to the area you want to be fenced, arrange the shape you like.



Step 2

After set up the shape, please insert the appropriate number of bolt to the fence base center and make sure the fence is stable.



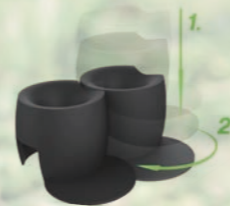
Step 3

Placing completed pictures, it show as the plug filled state.



1 Joining together

Adjust fence main parts snap together.



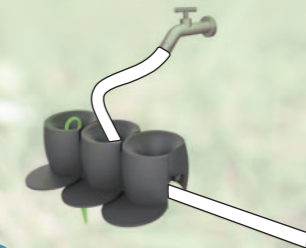
2 Hollow design

The hollow design make it more easy to use.



3 Cables & Pipes

Fence hollow design can make the cables and pipes random to pull out or plug in.



4 O_ring forks

Easy to insert and pull out.



透過單體元件籬笆款式，除了可以隨著使用者依照空間大小，以喜好增添數量使用之外，同時納入簡易卡件模組，提升整體組裝便利性；

另外有鑑於消費者多元化市場，外觀設計塑膠插銷型態擁有扣環式規劃，可因不同居家戶外環境可透過半客製化改善插銷款式（具不同功能）；

單體塑膠元件中間簍空處，除了可以當作 固定於土地用途之外，當消費者有需要澆花或使用到水管時候，即可在安裝原件時，同時在底部中空處安裝水管，讓其通過。當需要使用水管線時，可從籬笆內側讓管線從簍空洞孔穿出，以便隨處使用與美觀性。

3x3 模組盆栽

Flower Pot CT-81

3x3 Module Potted提供模組多功能與便利性，使用者可選擇單組垂直陳列，彼此錯位與結構固定，避免影響植物生長，頂端處也可作為拿取的把手功能；針對單盆除了可裝飾居家空間，同時底部增加組裝機能性插銷孔，讓消費者可選擇插在土壤或接水盆器，大大改善戶外室內的美觀性。

整體規畫塑膠元件可擁有收納性；單組盆器的上方也可放置不同的功能園藝小器具，如放大鏡（兼記事本）與剪刀，可達到育教娛樂之外，也設計達到操作便利性。

Can us both indoor and outdoor

Just put the collection basin on can be used indoor and outdoor.

Vertical and horizontal stack

multiple ways to arrange in groups.



CHIU TONG
久統塑膠有限公司



reddot award 2014
winner

40

▶ Indoor



▶ Outdoor



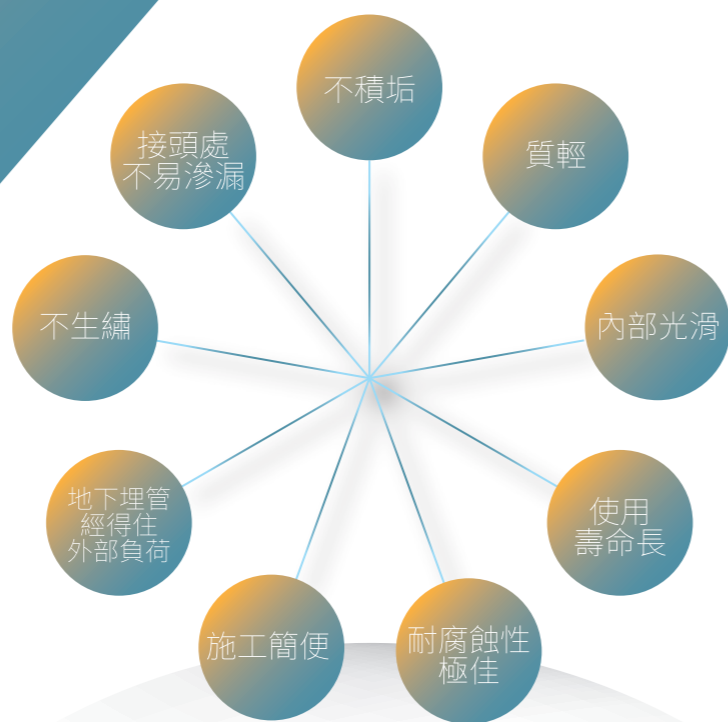
▶ Color



名稱 Name	標準型球閥 Standard Ball Valve	組合式球閥 Assembled Ball Valve	ST把手鋼珠球閥 ST Handle ST Ball Valve	ST把手塑球球閥 ST Handle ABS Ball Valve	雙由令球閥 Double Union Ball Valve
圖示					
把手耐用壽命	材質：PVC 戶外壽命： 普通，3年以上。 室內壽命：極佳，8年以上。 (視日曬狀況而定)	材質：ABS 戶外壽命： 好，5年以上。 室內壽命：極佳，8年以上。 (視日曬狀況而定)	材質：SUS 304 戶外壽命： 最好，7年以上	材質：SUS 304 戶外壽命： 最好，7年以上。	材質：ABS 戶外壽命： 好，5年以上。 室內壽命： 極佳，8年以上。
球心軸耐用壽命	材質：PVC 耐用壽命： 最好，8年以上。 (視使用水質而定)	材質：ABS 耐用壽命： 好，5年以上。 (視使用水質而定)	材質：304白鐵球+銅芯 耐用壽命： 普通，一般3~5年會開始出現晃動。 (視使用水質而定)	材質：ABS球+銅芯 耐用壽命： 短，一般2~3年會開始出現晃動。 (視使用水質而定)	材質：PVC 耐用壽命： 最好，8年以上。 (視使用水質而定)
開關轉動扭力	扭力高，不好轉動。 轉動指數：★★	扭力低，容易轉動 轉動指數：★★★★	扭力低，容易轉動 轉動指數：★★★	扭力低，容易轉動 轉動指數：★★★	扭力低，容易轉動 轉動指數：★★★★
耐壓程度	可長期耐水壓6公斤 耐壓指數：★★★★	可短期耐水壓6公斤。 耐壓指數：★★★	可短期耐水壓6公斤。 耐壓指數：★★★	可短期耐水壓6公斤。 耐壓指數：★★★	可長期耐高水壓6公斤 耐壓指數：★★★★
註釋	價格最低 / CP值最高。 日本發明至今40年以上歷史， 國外仍大量使用，台灣市場已 漸式微市占率低。	價格低 / CP值高。 理論上是好產品，價格便宜， 好轉動；台灣市場成長緩慢， 國外市場接受度逐漸加快。	價格最高 / CP值中等。 台灣市場市占率每年穩定成 長，未來仍然看好，價格過 高原因，國外市場接受度仍 不高。	價格高 / CP值低。 理論上不算好產品，價格不 便宜、使用壽命較短外， ABS電鍍珠不環保也不健康 ，但台灣市占率最高。	價格最高 / CP值高。 市場穩定成長，適用範圍 廣，民生及工業用管路皆 可，維修容易壽命長， 推薦度最高。

UPVC CPVC PP PTFE

耐化性介紹



工程塑膠管路系統

不同于傳統金屬管路系統

適用於民生相關的排水輸送系統、船舶設備輸送系統、海水輸送系統、污水輸送系統、環境工程輸送系統、農魚業灌溉輸送系統。

Engineering plastic pipe line system is differ from metal pipe line system · with light weight · interior smooth surface · no rust and without dirt accumulating · excellent anti-rot function · easy operation · no leakage with joint · durability to afford outer load while under ground · long life ·

Apply to people' s livelihood water treatment system · shipping equipment transfer system · sea water transfer system · house waste water transfer system · environment engineering transfer system and agriculture irrigation transfer system ·

材質	簡稱	一般化學性能	最高工作溫度	
			長時間	短暫
聚氯乙烯	PVC	可耐大部分的“酸、堿、鹽”由低到高濃度的腐蝕，但不耐“芳香烴”、酮、醚、“氯化碳烴類”腐蝕。	55°C	60°C
氯化聚氯乙烯 CORZAN	CPVC	耐化學腐蝕性與PVC相似，僅耐溫性比PVC好。	95°C	110°C
聚丙烯	PP	耐化學性非常好，對一般的酸的抵抗力也好，唯較不耐兩種不同酸的混合液，如：硝酸+硫酸或硫酸+氯氟酸。對一般有機溶劑。	90°C	110°C
聚二氟乙烯	PVDF	耐化性非常好，只會被“發煙硫酸、三氧化硫、強鹼胺類、酮類”等腐蝕。	140°C	150°C
聚四氟乙烯 (鐵氟龍)	PTFE	幾乎不被任何化學藥品腐蝕，只有在高溫下才會被少數化學藥品腐蝕。	250°C	300°C
氟橡膠(氟化乙烯與六氟化丙烯的共聚物) VITON	FPM	耐侯性、耐臭氧、耐油、耐熱性、耐化學藥品性均好。是自熄性橡膠，但耐寒性不好(-45°C脆化點)。	200°C	200°C
乙烯丙烯橡膠	EPDM	耐侯性、耐臭氧、耐化學藥品性優，耐油性好，是自熄性橡膠，耐低溫性差，不耐芳香烴類。	90°C	120°C
丁二烯腈橡膠 (BUNNA-N)	NBR	主要效能是“耐油性好”，耐熱性佳，在120°C可長期使用，耐寒性差，耐水性差。	120°C	120°C

管用牙之基準尺寸

尺寸	牙數	英制- JIS(BSPT)		美制 - ANSI(NPT)		
		外徑	有效徑	牙數	外徑	有效徑
1/16"	28			27	7.9	7.142
1/8"	28	9.728	9.147	27	10.3	9.519
1/4"	19	13.157	12.301	18	13.7	12.443
3/8"	19	16.662	15.806	18	17.1	15.926
1/2"	14	20.995	19.793	14	21.3	19.772
3/4"	14	26.441	25.279	14	26.7	25.117
1"	11	33.249	31.77	11.5	33.4	31.461
1-1/4"	11	41.91	40.431	11.5	42.2	40.218
1-1/2"	11	47.803	46.324	11.5	48.3	46.287
2"	11	59.614	58.135	11.5	60.3	58.325
2-1/2"	11	75.184	73.705	8	73	70.159
3"	11	87.884	86.405	8	88.9	86.068
3-1/2"	11	100.33	98.851	8	101.6	98.776
4"	11	113.03	111.551	8	114.3	111.433

英制管用牙	鑽頭孔徑(mm)	
	PT	PS
1/8"-28	8.2	8.5
1/4"-19	10.9	11.4
3/8"-19	14.4	14.9
1/2"-14	18	18.5
3/4"-14	23	24
1"-11	29	30
1-1/4"-11	38	39
1-1/2"-11	44	45
2"-11	55	56

美制管用牙	鑽頭孔徑(mm)	
	NPT	NPS
1/16"-27	6.25	6.35
1/8"-27	8.43	8.75
1/4"-18	11	11.13
3/8"-18	14.27	14.7
1/2"-14	17.86	18.14
3/4"-14	23	23.4
1"-11.5	29	29.4
1-1/4"-11.5	37.7	38.1
1-1/2"-11.5	44.05	44.45
2"-11.5	55	56.4

備註

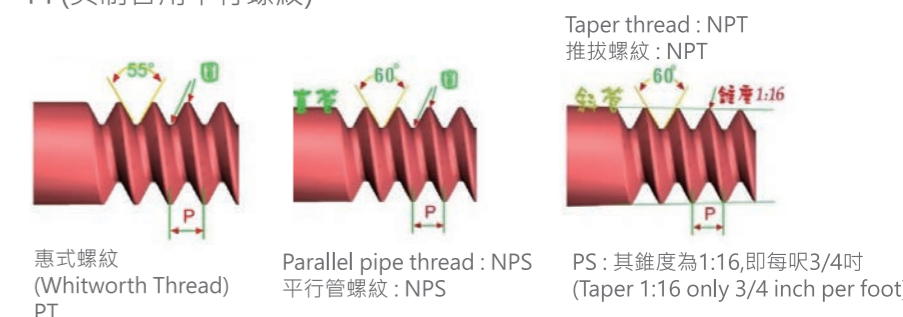
SOCKET END : CNS, JIS, BS, ANSI & DIN
 THREAD END : NPS(NPT), BSP(BSPT,BSPP) & PT(PS,PF)

管螺紋說明:

NPS(美國標準平行管牙螺紋):
 制定在ANSI規格中，60度牙角平行管螺紋。
 NPT(美國標準管用推拔螺紋):制定在ANSI規格中，
 60度牙角錐管螺紋，有外螺紋與內螺紋，用於北美地區。

BSP是英制管螺紋分BSPT(管用推拔螺紋)和BSPP(平行管牙螺紋)兩種
 BSPT(英製管用推拔螺紋):制定在BS規格中，55度牙角錐管螺紋。
 BSPP(英製標準平行管牙螺紋):
 制定在BS規格中，55度牙角平行管螺紋。

PT(Pipe Thread的縮寫):是55度牙角密封圓錐管螺紋，
 屬惠氏螺紋家族，多用於歐洲及英聯邦國家。
 PS(英制管用推拔螺紋)
 PF(英制管用平行螺紋)

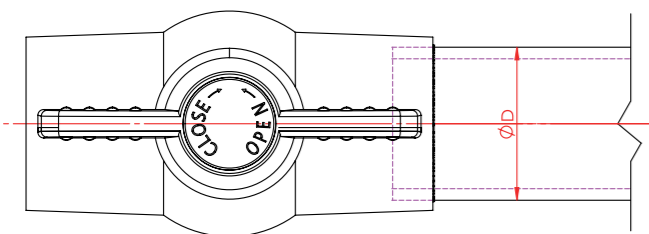




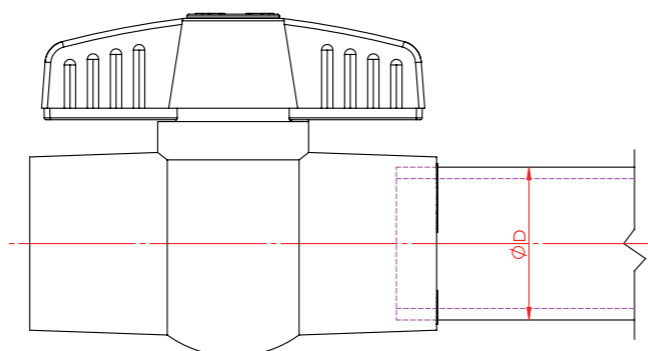
泛用型 不鏽鋼分類

SOCKET

(插管的管外徑ØD管件規格)



The outer diameter(D) of the external tube



外接插管外徑D

SOCKET - The outer diameter(ØD) of the external tube

SOCKET(插管的管外徑ØD管件規格) 共用

Unit : mm

SIZE	CNS	JIS	DIN	ANSI	BS
3/8"(13mm)		18	16	17.2	-
1/2"(15mm)		22	20	21.3	
3/4"(20mm)		26	25	26.7	26.6
1" (25mm)	34		32	33.4	
1-1/4"(32mm)	42	38	40	42.16	42.2
1-1/2"(40mm)		48	50	48.26	48.2
2"(50mm)		60	63	60.3	
2-1/2"(65mm)		76	75	73	76
3"(80mm)		89	90	88.9	
3-1/2"(90mm)	100	-	-	-	-
4"(100mm)		114	110	114.3	
5"(125mm)		140		141.3	-
6"(150mm)		165	160	168.28	168.3

特性：

硬度佳、加工困難，但材質安定、堅固耐用、耐高溫、遇熱不會釋放有毒物質、耐酸抗鹼，是廚房衛浴用品之上選材料。

泛用型不鏽鋼可分為三類：

200系列：
201 / 202 (高錳含量)

含錳高
含鎳低，防鏽效果最差
微 / 無磁性：
一般磁鐵無法吸附；
但使用強力磁鐵，
有時會產生微吸附
(視成份差異)。
含毒性重金屬「錳」，
不宜生產食品器具。

400系列：
最常見430

含鉻量高
含鎳低，防鏽效果差
具強磁性
使用一般磁鐵即可強力
吸附可用於電磁爐。
硬度較佳，
適合刀具等產品。

300系列：
俗稱304 (18-8)、316 (18-10)

含鎳量高
防鏽效果佳，
316比304更優越
弱磁性
一般磁鐵無法吸附；
但使用強力磁鐵會產生微吸附。
延展性良好，適合製作廚房衛用品
鍋具、茶壺、造型及高級餐具。

廠商名稱	測試結果/圖片		材質判定
	磁性檢測	稀硫酸液電解反應	
久統鋼珠球閥把手	弱		電解反應：淡黃色 材質：304材質
久統塑球球閥把手	弱		電解反應：淡黃色 材質：304材質
它牌公司球閥把手	微		電解反應：桃紅色 材質：201材質
它牌公司球閥把手	強		電解反應：淡黃色 判定：430材質

切割



使用塑膠管切割器，如電鋸或齒形完好的鐵鋸等簡單工具切割，**管件切得越方正，黏合效果越好。**

去毛邊



利用銼刀或其他去邊工具將管內外的毛邊和銼屑清除乾淨，**並施以適當倒角約30度**，使塑膠管易套入球閥接合面內。

配件準備



用乾淨抹布擦掉塑膠管及球閥接合面上的灰塵和水分，**並檢查管閥接合面的接合情形。**

塗抹清潔劑



管與球閥接合面接合時，使用適當毛刷或塗抹工具（勿用破布）將清潔劑均勻塗抹管末端外面和球閥接合內面，以確保表面的軟化效果。
(大尺寸管件接合可斟酌多增加塗抹次數及用量)

塗抹溶劑黏膠



管表面清潔劑作用完畢後，接合表面會浸透軟化，接著以適當大小的天然鬃刷，在管末端外面及球閥接合內面塗上厚層溶劑黏膠做接合。
(大尺寸管件接合可斟酌多增加塗抹次數及用量)

組合



塗完黏膠後，應立刻將管插入球閥接合面並旋轉至少1/2圈，**插入球閥接合面內約1/2到3/4深度為標準，2/3深為理想值。**

確認



接合後應維持1~3分鐘固定以確保初步接合，管和球閥接合處的膠水如果過量溢出可利用破布擦去，如果接合處的膠水不溢出，有可能所塗抹的黏膠不足，建議用新球閥重新再黏膠接合。

測試驗收



管和球閥黏膠接合後，需等24小時膠合劑完全乾燥後才可加壓通水、試水及驗收。
(膠合劑完全乾燥的時間視地區的氣溫、濕度而不同)

準備動作



互鎖的內外牙規格需相符，**螺牙不可有崩裂、缺牙、毛邊...**之情形。

準備止洩帶



在外牙上頭纏繞止洩帶，纏繞方式由第一牙開始至內順時鐘方向螺紋纏繞止洩帶，纏繞時需微用力拉緊止洩帶。

纏繞止洩帶



纏繞圈數視實際狀況而定，約6至9圈。
(以能夠達到止水功能為主)

檢查



內外牙互鎖時如止洩帶鬆脫，**無法達到止水功能需去除止洩帶重新纏繞。**

皮帶扳手再旋緊



空手鎖緊內外牙後，再用皮帶扳手轉約1至2圈即可。
(圈數過多，則易造成牙件損壞)

安置與固化時間

- 管路接合後宜在無壓下安置一段時間，才可進行下一步裝卸組合，以確保最佳效果。
- 安裝完成，並參考下列之固化時間要求後，該系統即可進行壓力測試。
- 在進行壓力測試時，請將管路系統內注滿水，並將空氣排出。
- 請勿使用空氣或壓縮氣體進行測試。**
- 溶劑黏膠的安置與固化時間主要受管尺寸、溫度、濕度及適合緊度的影響。
- 環境越乾燥，管越小，溫度越高，緊密度越大，乾燥時間就越快。
- 在極端溫度條件下應特別注意系統的組合。
- 當溫度低於攝氏4度時，應給予額外安置與固化時間。
- 當溫度高於攝氏38度時，裝配者應確定接合兩面上之黏膠仍是濕的。

安置建議時間

週邊溫度	1-1/4"以下	1-1/2"~3"	4"~8"	10"~12"
15°C以上	15分鐘	30分鐘	1小時	2小時
4°C~15°C	1小時	2小時	4小時	8小時
低於4°C	3小時	6小時	12小時	24小時

壓力測試前建議之固化時間

(試壓在180PSI以下;10"以上試壓在100PSI以下)

週邊溫度	1-1/4"以下	1-1/2"~3"	4"~8"	10"~12"
15°C以上	1小時	2小時	6小時	24小時
4°C~15°C	2小時	4小時	12小時	40小時
低於4°C	8小時	16小時	48小時	8天

壓力測試前建議之固化時間

(試壓在180PSI以上)

週邊溫度	1-1/4"以下	1-1/2"~3"	4"~8"
15°C~43°C	6小時	6小時	24小時
4°C~15°C	12小時	24小時	48小時
低於4°C	48小時	96小時	8天

**相對濕度如超過60%以上，固化時間建議應適度延長約50%之時間。

參考圖	品編	品名	盒 / 箱	牌價	折數
	010300	標準型球閥 3/8"	65 390	80	
	010400	標準型球閥 1/2"	65 390	60	
	010600	標準型球閥 3/4"	40 240	80	
	011000	標準型球閥 1"	20 120	120	
	011200	標準型球閥 1 1/4"	12 72	180	
	011400	標準型球閥 1 1/2"	8 48	230	
	012000	標準型球閥 2"	5 30	320	
	020300	組合式球閥 3/8"	40 240	48	
	020400	組合式球閥 1/2"	40 240	48	
	020600	組合式球閥 3/4"	25 150	68	
	021000	組合式球閥 1"	16 96	90	
	021200	組合式球閥 1 1/4"	10 60	135	
	021400	組合式球閥 1 1/2"	6 36	200	
	022000	組合式球閥 2"	4 24	270	
	022400	組合式球閥 2 1/2"	1 16	750	
	023000	組合式球閥 3"	1 12	820	
	023900	組合式球閥 3" 小流量	1 16	800	
	023400	組合式球閥 3 1/2"	1 12	1300	
	024000	組合式球閥 4"	1 6	1600	
	024900	組合式球閥 4" 小流量	1 12	1300	
	025900	組合式球閥 5"	1 6	1700	
	026000	組合式球閥 6"	1 3	5300	
	026900	組合式球閥 6" 小流量	1 4	2600	
		030400	ST把手鋼珠球閥 1/2"	40 240	100
030600		ST把手鋼珠球閥 3/4"	25 150	130	
031000		ST把手鋼珠球閥 1"	16 96	160	
031200		ST把手鋼珠球閥 1 1/4"	10 60	330	
031400		ST把手鋼珠球閥 1 1/2"	6 36	450	
032000		ST把手鋼珠球閥 2"	4 24	580	
032400		ST把手鋼珠球閥 2 1/2"	1 8	1400	
033000		ST把手鋼珠球閥 3"	1 6	2000	
033900		ST把手鋼珠球閥 3" 小流量	1 8	1800	
033400		ST把手鋼珠球閥 3 1/2"	1 6	2500	
034000		ST把手鋼珠球閥 4"	1 6	3000	
034900		ST把手鋼珠球閥 4" 小流量	1 6	2600	
	035900	ST把手鋼珠球閥 5"	1 6	3100	
	036000	ST把手鋼珠球閥 6"	1 3	11000	
	036900	ST把手鋼珠球閥 6" 小流量	1 4	4600	
	040400	ST把手塑膠珠球閥 1/2"	40 240	100	
	040600	ST把手塑膠珠球閥 3/4"	25 150	120	
	041000	ST把手塑膠珠球閥 1"	16 96	150	
	041200	ST把手塑膠珠球閥 1 1/4"	10 60	310	
	041400	ST把手塑膠珠球閥 1 1/2"	6 36	380	
	042000	ST把手塑膠珠球閥 2"	4 24	480	
	042400	ST把手塑膠珠球閥 2 1/2"	1 8	1200	
	043000	ST把手塑膠珠球閥 3"	1 6	1800	
	043900	ST把手塑膠珠球閥 3" 小流量	1 8	1500	
043400	ST把手塑膠珠球閥 3 1/2"	1 6	2100		
044000	ST把手塑膠珠球閥 4"	1 6	2400		
044900	ST把手塑膠珠球閥 4" 小流量	1 6	2200		
045900	ST把手塑膠珠球閥 5"	1 6	2500		
046000	ST把手塑膠珠球閥 6"	1 3	7700		
046900	ST把手塑膠珠球閥 6" 小流量	1 4	4600		

參考圖	品編	品名	盒 / 箱	牌價	折數
	050400	外牙鋼珠球閥 1/2"	40 240	120	
	050600	外牙鋼珠球閥 3/4"	25 150	130	
	051000	外牙鋼珠球閥 1"	16 96	160	
	051400	外牙鋼珠球閥 1 1/2"	6 36	450	
	052000	外牙鋼珠球閥 2"	4 24	580	
	051006	外牙鋼珠球閥 1" 牙× 3/4"	25 150	150	
	051410	外牙鋼珠球閥 1 1/2" 牙× 1"	16 96	180	
	052014	外牙鋼珠球閥 2" 牙× 1 1/2"	6 36	550	
	060300	新型球閥 3/8"		55	
	060400	新型球閥 1/2"		55	
	060600	新型球閥 3/4"		75	
	061000	新型球閥 1"		95	
	061200	新型球閥 1 1/4"		150	
	061400	新型球閥 1 1/2"		220	
	062000	新型球閥 2"		290	
	070400	外牙組合式球閥 1/2"	40 240	60	
	070600	外牙組合式球閥 3/4"	25 150	80	
	071000	外牙組合式球閥 1"	16 96	100	
	071400	外牙組合式球閥 1 1/2"	6 36	210	
	072000	外牙組合式球閥 2"	4 24	300	
	071006	外牙組合式球閥 1" 牙× 3/4"	25 150	85	
	071410	外牙組合式球閥 1 1/2" 牙× 1"	16 96	135	
	072014	外牙組合式球閥 2" 牙× 1 1/2"	6 36	240	
		090400	CPVC球閥 1/2"	65 390	
090600		CPVC球閥 3/4"	40 240		
091000		CPVC球閥 1"	20 120		
091200		CPVC球閥 1 1/4"	12 72		
091400		CPVC球閥 1 1/2"	8 48		
092000		CPVC球閥 2"	5 30		
	100400	雙由令球閥 1/2"	1 120	130	
	100600	雙由令球閥 3/4"	1 80	175	
	101000	雙由令球閥 1"	1 60	275	
	101200	雙由令球閥 1 1/4"	1 50	390	
	101400	雙由令球閥 1 1/2"	1 36	500	
	102000	雙由令球閥 2"	1 30	740	
	102400	雙由令球閥 2 1/2"	1 6	1480	
	102900	雙由令球閥 2 1/2" 小流量	1 8	1230	
	103000	雙由令球閥 3"	1 6	2810	
	104000	雙由令球閥 4"	1 4	5230	
	101080	外牙雙由令球閥 1"	60	180	
	101480	外牙雙由令球閥 1 1/2"	24	390	
	102080	外牙雙由令球閥 2"	13	620	
	110400	單由令球閥 1/2"	160	62	
	110600	單由令球閥 3/4"	112	90	
	111000	單由令球閥 1"	60	135	
	111200	單由令球閥 1 1/4"	48	200	
	111400	單由令球閥 1 1/2"	27	310	
	112000	單由令球閥 2"	16	490	
	112400	單由令球閥 2 1/2"	8	850	
	113000	單由令球閥 3"	4	1600	
	114000	單由令球閥 4"	2	2850	






參考圖	品編	品名	盒 / 箱	牌價	折數
	110670	單由令球閥 3/4" 內牙*外牙 (F*M)	130	53	
	111070	單由令球閥 1" 內牙*外牙 (F*M)	80	80	
	111270	單由令球閥 1 1/4" 內牙*外牙 (F*M)	56	120	
	111470	單由令球閥 1 1/2" 內牙*外牙 (F*M)	36	180	
	112070	單由令球閥 2" 內牙*外牙 (F*M)	20	305	
	113070	單由令球閥 3" 內牙*外牙 (F*M)	5	970	
	114070	單由令球閥 4" 內牙*外牙 (F*M)	2	2020	
	111461	外牙單由令球閥 1-1/2" 外牙*內管 (M*S)	24	290	
	112061	外牙單由令球閥 2" 外牙*內管 (M*S)	13	480	
	111471	外牙單由令球閥 1-1/2" 外牙*內牙 (M*F)	24	290	
	112071	外牙單由令球閥 2" 外牙*內牙 (M*F)	13	480	
	110662	水箱閥門 3/4" 內管*外牙 (S*M)	90	90	
	111062	水箱閥門 1" 內管*外牙 (S*M)	60	210	
	110672	水箱閥門 3/4" 內牙*外牙 (F*M)	90	90	
	111072	水箱閥門 1" 內牙*外牙 (F*M)	60	210	
	120400	CPVC雙由令球閥 1/2"	1 120	280	
	120600	CPVC雙由令球閥 3/4"	1 80	380	
	121000	CPVC雙由令球閥 1"	1 60	580	
	121200	CPVC雙由令球閥 1 1/4"	1 50	900	
	121400	CPVC雙由令球閥 1 1/2"	1 36	1220	
	122000	CPVC雙由令球閥 2"	1 30	1645	
	122400	CPVC雙由令球閥 2 1/2"	1 6	3070	
	122490	CPVC雙由令球閥 2 1/2" 小流量	1 8	2800	
	123000	CPVC雙由令球閥 3"	1 6	5270	
	124000	CPVC雙由令球閥 4"	1 4	9580	
	130400	齒輪式雙由令球閥 1/2"			
	130600	齒輪式雙由令球閥 3/4"			
	131000	齒輪式雙由令球閥 1"			
	131200	齒輪式雙由令球閥 1 1/4"			
	131400	齒輪式雙由令球閥 1 1/2"			
	132000	齒輪式雙由令球閥 2"			
	132400	齒輪式雙由令球閥 2 1/2"			
	133000	齒輪式雙由令球閥 3"			
	140400	電動雙由令球閥 1/2" 無手動裝置			
	140600	電動雙由令球閥 3/4" 手動裝置			
	141000	電動雙由令球閥 1" 手動裝置			
	141200	電動雙由令球閥 1 1/4" 手動裝置			
	141400	電動雙由令球閥 1 1/2" 手動裝置			
	142000	電動雙由令球閥 2" 手輪裝置			
	142400	電動雙由令球閥 2 1/2" 手輪裝置			
	143000	電動雙由令球閥 3" 手輪裝置			
	144000	電動雙由令球閥 4" 手輪裝置			
		150400	單動氣動雙由令球閥 1/2"		
150600		單動氣動雙由令球閥 3/4"			
151000		單動氣動雙由令球閥 1"			
151200		單動氣動雙由令球閥 1 1/4"			
151400		單動氣動雙由令球閥 1 1/2"			
152000		單動氣動雙由令球閥 2"			

參考圖	品編	品名	盒 / 箱	牌價	折數
	152400	單動氣動雙由令球閥 2 1/2"			
	153000	單動氣動雙由令球閥 3"			
	154000	單動氣動雙由令球閥 4"			
	160400	雙動氣動雙由令球閥 1/2"			
	160600	雙動氣動雙由令球閥 3/4"			
	161000	雙動氣動雙由令球閥 1"			
	161200	雙動氣動雙由令球閥 1 1/4"			
	161400	雙動氣動雙由令球閥 1 1/2"			
	162000	雙動氣動雙由令球閥 2"			
	162400	雙動氣動雙由令球閥 2 1/2"			
	163000	雙動氣動雙由令球閥 3"			
	164000	雙動氣動雙由令球閥 4"			
	170400	法蘭式雙由令球閥 1/2"			
	170600	法蘭式雙由令球閥 3/4"			
	171000	法蘭式雙由令球閥 1"			
	171200	法蘭式雙由令球閥 1 1/4"			
	171400	法蘭式雙由令球閥 1 1/2"			
	172000	法蘭式雙由令球閥 2"			
	173000	法蘭式雙由令球閥 3"			
	174000	法蘭式雙由令球閥 4"			
	180400	三通球閥 1/2"			
	180600	三通球閥 3/4"			
	181000	三通球閥 1"			
	181200	三通球閥 1 1/4"			
	181400	三通球閥 1 1/2"			
	182000	三通球閥 2"			
	190660	灌溉閥門 3/4" 內管*外牙 (S*M)	130	54	
	191060	灌溉閥門 1" 內管*外牙 (S*M)	80	82	
	191460	灌溉閥門 1 1/2" 內管*外牙 (S*M)	36	185	
	192060	灌溉閥門 2" 內管*外牙 (S*M)	20	330	
	190670	灌溉閥門 3/4" 內牙*外牙 (F*M)	130	48	
	191070	灌溉閥門 1" 內牙*外牙 (F*M)	80	72	
	191470	灌溉閥門 1 1/2" 內牙*外牙 (F*M)	36	170	
	192070	灌溉閥門 2" 內牙*外牙 (F*M)	20	300	
	191090	灌溉閥門 1" 內牙*內牙 (F*F)	80	72	
	191490	灌溉閥門 1 1/2" 內牙*內牙 (F*F)	36	160	
	192090	灌溉閥門 2" 內牙*內牙 (F*F)	20	270	
	193090	灌溉閥門 3" 內牙*內牙 (F*F)	5	700	
	194090	灌溉閥門 4" 內牙*內牙 (F*F)	2	1400	
	200600	重力式逆止閥 3/4"	100	75	
	201000	重力式逆止閥 1"	80	80	
	201200	重力式逆止閥 1 1/4"	40	110	
	201400	重力式逆止閥 1 1/2"	40	130	
	202000	重力式逆止閥 2"	32	170	






中間凡而、水夾仔

參考圖	品編	品名	盒 / 箱	牌價	折數
 中間凡而、水央仔	212400	擺動式逆止閥-鍍鋅 2 1/2"	1 24	420	
	213000	擺動式逆止閥-鍍鋅 3"	1 12	620	
	213001	擺動式逆止閥-白鐵 3"	1 12	830	
	214000	擺動式逆止閥-鍍鋅 4"	1 12	820	
	214001	擺動式逆止閥-白鐵 4"	1 12	1050	
	215001	擺動式逆止閥-白鐵 5"	1 4	實價	
 橫式逆止	216001	擺動式逆止閥-白鐵 6"	1 4	5300	
	220400	彈簧式逆止閥 1/2"	1 120	56	
	220600	彈簧式逆止閥 3/4"	1 100	60	
	221000	彈簧式逆止閥 1"	1 60	74	
	221200	彈簧式逆止閥 1 1/4"	1 40	110	
	221400	彈簧式逆止閥 1 1/2"	1 40	150	
	222000	彈簧式逆止閥 2"	1 40	200	
	222400	彈簧式逆止閥 2 1/2"	1 24	400	
 同彈簧式逆止(無彈簧)	223000	彈簧式逆止閥 3"	1 18	540	
	224000	彈簧式逆止閥 4"	1 8	900	
	230400	由令式逆止閥 1/2"	120	50	
	230600	由令式逆止閥 3/4"	100	55	
	231000	由令式逆止閥 1"	60	70	
	231200	由令式逆止閥 1 1/4"	40	100	
	231400	由令式逆止閥 1 1/2"	40	140	
 雙由令球型逆止閥	232000	由令式逆止閥 2"	40	190	
	232400	由令式逆止閥 2 1/2"	24	360	
	233000	由令式逆止閥 3"	18	500	
	240400	雙由令球型逆止閥 1/2"		320	
	240600	雙由令球型逆止閥 3/4"		355	
	241000	雙由令球型逆止閥 1"		475	
	241200	雙由令球型逆止閥 1 1/4"		720	
	241400	雙由令球型逆止閥 1 1/2"		760	
 法蘭口逆止閥	242000	雙由令球型逆止閥 2"		990	
	242400	雙由令球型逆止閥 2 1/2"		1640	
	243000	雙由令球型逆止閥 3"		2650	
	244000	雙由令球型逆止閥 4"		5450	
	252400	法蘭口逆止閥-鍍鋅 2 1/2"	12	945	
	253000	法蘭口逆止閥-鍍鋅 3"	12	1300	
	253001	法蘭口逆止閥-白鐵 3"	12	1480	
	254000	法蘭口逆止閥-鍍鋅 4"	12	1800	
 CPVC擺動逆止閥(法蘭口)	254001	法蘭口逆止閥-白鐵 4"	12	1980	
	255001	法蘭口逆止閥-白鐵 5"	4	實價	
	256001	法蘭口逆止閥-白鐵 6"	4	7560	
	260400	CPVC擺動逆止閥(法蘭口) 1/2"			
	260600	CPVC擺動逆止閥(法蘭口) 3/4"			
	261000	CPVC擺動逆止閥(法蘭口) 1"			
	261400	CPVC擺動逆止閥(法蘭口) 1 1/2"			
	262000	CPVC擺動逆止閥(法蘭口) 2"			
	262400	CPVC擺動逆止閥(法蘭口) 2 1/2"			
	263000	CPVC擺動逆止閥(法蘭口) 3"			
264000	CPVC擺動逆止閥(法蘭口) 4"				
266000	CPVC擺動逆止閥(法蘭口) 6"				
268000	CPVC擺動逆止閥(法蘭口) 8"				

參考圖	品編	品名	盒 / 箱	牌價	折數
 直行中間	270600	雙截式逆止閥 3/4"			
	271000	雙截式逆止閥 1"			
	271400	雙截式逆止閥 1 1/2"			
	272000	雙截式逆止閥 2"			
	281400	雙由令逆止閥 1 1/2"	28	410	
	282000	雙由令逆止閥 2"	15	730	
	291400	單由令逆止閥 1 1/2"	32	305	
	292000	單由令逆止閥 2"	16	510	
	290409	法蘭式單由令逆止閥 1/2"			
	290609	法蘭式單由令逆止閥 3/4"			
	291009	法蘭式單由令逆止閥 1"			
	291209	法蘭式單由令逆止閥 1 1/4"			
	291409	法蘭式單由令逆止閥 1 1/2"			
	292009	法蘭式單由令逆止閥 2"			
	293009	法蘭式單由令逆止閥 3"			
294009	法蘭式單由令逆止閥 4"				
296009	法蘭式單由令逆止閥 6"				
 花藍	300600	套管底閥 3/4"	1 120	54	
	301000	套管底閥 1"	1 100	70	
	301200	套管底閥 1 1/4"	1 100	110	
	301400	套管底閥 1 1/2"	1 40	140	
	302000	套管底閥 2"	1 40	170	
	303000	套管底閥 3"	1 24	540	
 花藍	312400	擺動式底閥-鍍鋅 2 1/2"	1 12	420	
	313000	擺動式底閥-鍍鋅 3"	1 12	620	
	313001	擺動式底閥-白鐵 3"	1 12	800	
	314000	擺動式底閥-鍍鋅 4"	1 12	820	
	314001	擺動式底閥-白鐵 4"	1 12	1050	
	315001	擺動式底閥-白鐵 5"	1 4	實價	
	316001	擺動式底閥-白鐵 6"	1 4	5900	
	322400	法蘭口底閥-鍍鋅 2 1/2"	12	980	
	323000	法蘭口底閥-鍍鋅 3"	12	1060	
	323001	法蘭口底閥-白鐵 3"	12	1225	
	324000	法蘭口底閥-鍍鋅 4"	12	1560	
	324001	法蘭口底閥-白鐵 4"	12	1780	
	325001	法蘭口底閥-白鐵 5"	4	實價	
	326001	法蘭口底閥-白鐵 6"	4	7800	
	330400	雙由令球型底閥 1/2"		590	
	330600	雙由令球型底閥 3/4"		680	
	331000	雙由令球型底閥 1"		915	
	331200	雙由令球型底閥 1 1/4"		1240	
	331400	雙由令球型底閥 1 1/2"		1330	
	332000	雙由令球型底閥 2"		1700	
	341200	進水管底閥 1 1/4"			
	341400	進水管底閥 1 1/2"	48		
	342000	進水管底閥 2"	50		
	342400	進水管底閥 2 1/2"	12		
	343000	進水管底閥 3"	12		
	344000	進水管底閥 4"	12		













參考圖	品編	品名	盒 / 箱	牌價	折數	
	350400	福特球型凡而(直式) 1/2"	100			
	350600	福特球型凡而(直式) 3/4"	50			
	351000	福特球型凡而(直式) 1"	24			
	351200	福特球型凡而(直式) 1 1/4"	24			
	351400	福特球型凡而(直式) 1 1/2"	24			
	352000	福特球型凡而(直式) 2"	12			
	352400	福特球型凡而(直式) 2 1/2"	8			
	353000	福特球型凡而(直式) 3"	8			
	354000	福特球型凡而(直式) 4"	4			
	A type  久統品牌 台灣製	362000	把手式蝶閥 2" A款	5	2100	
362010		把手式蝶閥 2" B款	14	1200		
362400		把手式蝶閥 2 1/2" A款	5	2200		
362410		把手式蝶閥 2 1/2" B款	14	1530		
363000		把手式蝶閥 3" A款	4	2550		
363010		把手式蝶閥 3" B款	12	2050		
364000		把手式蝶閥 4" A款	4	3400		
364010		把手式蝶閥 4" B款	10	2600		
365000		把手式蝶閥 5" A款	2	5850		
365010		把手式蝶閥 5" B款	5	3500		
B type  大陸製	366000	把手式蝶閥 6" A款	2	6700		
	366010	把手式蝶閥 6" B款	4	4600		
	368000	把手式蝶閥 8" A款	1	10300		
	368010	把手式蝶閥 8" B款	3	6200		
		372000	齒輪式蝶閥 2"			
		372400	齒輪式蝶閥 2 1/2"			
		373000	齒輪式蝶閥 3"			
		374000	齒輪式蝶閥 4"			
		375000	齒輪式蝶閥 5"			
		376000	齒輪式蝶閥 6"			
378000		齒輪式蝶閥 8"				
379000		齒輪式蝶閥 10"				
379200		齒輪式蝶閥 12"				
379400		齒輪式蝶閥 14"				
	382000	電動蝶閥 2" 手輪裝置				
	382400	電動蝶閥 2 1/2" 手輪裝置				
	383000	電動蝶閥 3" 手輪裝置				
	384000	電動蝶閥 4" 手輪裝置				
	385000	電動蝶閥 5" 手輪裝置				
	386000	電動蝶閥 6" 手輪裝置				
	388000	電動蝶閥 8" 手輪裝置				
	382080	單動氣動蝶閥 2"				
	382480	單動氣動蝶閥 2 1/2"				
	383080	單動氣動蝶閥 3"				
384080	單動氣動蝶閥 4"					
385080	單動氣動蝶閥 5"					
386080	單動氣動蝶閥 6"					
388080	單動氣動蝶閥 8"					
382090	雙動氣動蝶閥 2"					
382490	雙動氣動蝶閥 2 1/2"					
383090	雙動氣動蝶閥 3"					
384090	雙動氣動蝶閥 4"					
385090	雙動氣動蝶閥 5"					
386090	雙動氣動蝶閥 6"					
388090	雙動氣動蝶閥 8"					








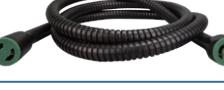








參考圖	品編	品名	盒 / 箱	牌價	折數
	390000	取樣閥組合 1/4" 雙內牙 (附配件)	100	260	
	390001	取樣閥組合 1/4" 內外牙 (附配件)	100	260	
	390400	排氣閥 1/2" A款	400	100	
	390600	排氣閥 3/4" A款	350	110	
	391000	排氣閥 1" A款	300	115	
	391400	排氣閥 1 1/2" A款	50	340	
	392000	排氣閥 2" A款	50	345	
	391001	排氣閥 1" B款	165	255	
	392001	排氣閥 2" B款	50	1280	
	391002	排氣閥 1" C款-小	120	480	
	391003	排氣閥 1" C款-大	50	1150	
	392002	排氣閥 2" C款	40	2250	
	400400	法蘭片-一體式 1/2" 10K	200	40	
	400600	法蘭片-一體式 3/4" 10K	100	48	
	401000	法蘭片-一體式 1" 10K	120	64	
	401200	法蘭片-一體式 1 1/4" 10K	80	95	
	401400	法蘭片-一體式 1 1/2" 10K	80	96	
	402000	法蘭片-一體式 2" 10K	60	106	
	402400	法蘭片-一體式 2 1/2" 10K	45	130	
	403000	法蘭片-一體式 3" 10K	40	160	
	404000	法蘭片-一體式 4" 10K	24	220	
	405000	法蘭片-一體式 5" 10K	18	340	
	406000	法蘭片-一體式 6" 10K	12	500	
	408000	法蘭片-一體式 8" 10K	8		
	409000	法蘭片-一體式 10" 10K	4		
	409200	法蘭片-一體式 12" 10K	2		
	409400	法蘭片-一體式 14" 10K	1		

參考圖	品編	品名	盒 / 箱	牌價	折數
	400409	盲法蘭 1/2" 10K		65	
	400609	盲法蘭 3/4" 10K		75	
	401009	盲法蘭 1" 10K		100	
	401209	盲法蘭 1 1/4" 10K		130	
	401409	盲法蘭 1 1/2" 10K		150	
	402009	盲法蘭 2" 10K		165	
	402409	盲法蘭 2 1/2" 10K		205	
	403009	盲法蘭 3" 10K		220	
	404009	盲法蘭 4" 10K		310	
	405009	盲法蘭 5" 10K		440	
	406009	盲法蘭 6" 10K		660	
	408009	盲法蘭 8" 10K		940	
	409009	盲法蘭 10" 10K		4350	
	410400	法蘭膠墊-一體式 1/2" 10K		13	
	410600	法蘭膠墊-一體式 3/4" 10K		16	
	411000	法蘭膠墊-一體式 1" 10K		22	
	411200	法蘭膠墊-一體式 1 1/4" 10K		24	
	411400	法蘭膠墊-一體式 1 1/2" 10K		30	
	412000	法蘭膠墊-一體式 2" 10K		32	
	412400	法蘭膠墊-一體式 2 1/2" 10K		35	
	413000	法蘭膠墊-一體式 3" 10K		43	
	414000	法蘭膠墊-一體式 4" 10K		52	
	415000	法蘭膠墊-一體式 5" 10K		80	
	416000	法蘭膠墊-一體式 6" 10K		94	
	418000	法蘭膠墊-一體式 8" 10K		112	
	419000	法蘭膠墊-一體式 10" 10K		142	
	419200	法蘭膠墊-一體式 12" 10K		193	
	419400	法蘭膠墊-一體式 14" 10K		245	
	420300	快速接頭 3/8"	400		
	420400	快速接頭 1/2"	200		
	420600	快速接頭 3/4"	150		
	421000	快速接頭 1"	100		
	421200	快速接頭 1 1/4"	80		
	421400	快速接頭 1 1/2"	60		
	422000	快速接頭 2"	40		
	422400	快速接頭 2-1/2"	40		
	423000	快速接頭 3"	16		
	424000	快速接頭 4"	16		
	430400	由令 1/2"		30	
	430600	由令 3/4"		36	
	431000	由令 1"		50	
	431200	由令 1 1/4"		70	
	431400	由令 1 1/2"		100	
	432000	由令 2"		140	
	432400	由令 2 1/2"		280	
	433000	由令 3"		380	
	434000	由令 4"		640	
	431470	由令 1 1/2" FT*MT	70	135	
	432070	由令 2" FT*MT	36	175	

參考圖	品編	品名	盒 / 箱	牌價	折數
	440400	水桶接頭-PE 1/2"		30	
	440600	水桶接頭-PE 3/4"	50	34	
	440601	水桶接頭-耐龍 3/4"		50	
	441000	水桶接頭-PE 1"	50	44	
	441001	水桶接頭-耐龍 1"		65	
	441400	水桶接頭-PE 1 1/2"	50	80	
	441401	水桶接頭-耐龍 1 1/2"		120	
	442000	水桶接頭-PE 2"	50	160	
	442001	水桶接頭-耐龍 2"		190	
	443000	水桶接頭-PE 3"	50	300	
	443001	水桶接頭-耐龍 3"		400	
	444000	水桶接頭-PE 4"		700	
	440402	水桶接頭-橡膠束環 1/2"	100/袋	80	
	440602	水桶接頭-橡膠束環 3/4"	100/袋	85	
	441002	水桶接頭-橡膠束環 1"	100/袋	110	
	441402	水桶接頭-橡膠束環 1-1/2"	50/袋	145	
	442002	水桶接頭-橡膠束環 2"	40/袋	185	
	443002	水桶接頭-橡膠束環 3"	120	360	
	444002	水桶接頭-橡膠束環 4"	80	470	
	440603	水塔接頭(短)-PVC 3/4"		77	
	440604	通氣水塔接頭 3/4"		93	
	450604	水塔卜申 3/4" × 1/2"	50	12	
	451004	水塔卜申 1" × 1/2"	50	14	
	451006	水塔卜申 1" × 3/4"	50	14	
	451404	水塔卜申 1 1/2" × 1/2"	50	20	
	451406	水塔卜申 1 1/2" × 3/4"	50	20	
	451410	水塔卜申 1 1/2" × 1"	50	20	
	452004	水塔卜申 2" × 1/2"	50	30	
	452006	水塔卜申 2" × 3/4"	50	30	
	452010	水塔卜申 2" × 1"	50	30	
	452014	水塔卜申 2" × 1 1/2"	50	30	
	460401	Y型過濾器-透明 1/2"	30	1500	
	460601	Y型過濾器-透明 3/4"	30	1800	
	461001	Y型過濾器-透明 1"	30	2000	
	461201	Y型過濾器-透明 1 1/4"	10	2500	
	461401	Y型過濾器-透明 1 1/2"	10	3350	
	462001	Y型過濾器-透明 2"	5	4900	
	462401	Y型過濾器-透明 2-1/2"	1	7800	
	463001	Y型過濾器-透明 3"	1	9400	
		470400	水塔加長套銅彎頭-進水口 1/2"		
470600		水塔加長套銅彎頭-進水口 3/4"			
	481006	水塔45°閥接頭-出水口 1" × 3/4"			
	481410	水塔45°閥接頭-出水口 1 1/2" × 1"			
	491400	防臭排水接頭 1 1/2"			
	492000	防臭排水接頭 2"			
	492400	防臭排水接頭 2-1/2"			
	493000	防臭排水接頭 3"			
	494000	防臭排水接頭 4"			
495000	防臭排水接頭 5"				



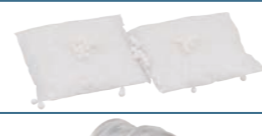










參考圖	品編	品名	盒 / 箱	牌價	折數
	500400	法蘭式隔膜閥 1/2"			
	500600	法蘭式隔膜閥 3/4"			
	501000	法蘭式隔膜閥 1"			
	501400	法蘭式隔膜閥 1-1/2"			
	502000	法蘭式隔膜閥 2"			
	502400	法蘭式隔膜閥 2-1/2"			
	503000	法蘭式隔膜閥 3"			
	504000	法蘭式隔膜閥 4"			
	506000	法蘭式隔膜閥 6"			
	508000	法蘭式隔膜閥 8"			
	510400	由令式隔膜閥 1/2"			
	510600	由令式隔膜閥 3/4"			
	511000	由令式隔膜閥 1"			
	511400	由令式隔膜閥 1-1/2"			
	512000	由令式隔膜閥 2"			
	600400	套銅彎頭 1/2" (加長)	700	7	
	600600	套銅彎頭 3/4"	500	9	
	601000	套銅彎頭 1"	300	23	
	600604	套銅彎頭 3/4" × 1/2" 牙	500	12	
	601004	套銅彎頭 1" × 1/2" 牙	450	25	
	601006	套銅彎頭 1" × 3/4" 牙	450	25	
	610400	套銅接頭 1/2" (加長)	900	7	
	610600	套銅接頭 3/4"	600	9	
	611000	套銅接頭 1"	350	23	
	610604	套銅接頭 3/4" × 1/2" 牙	600	12	
	611004	套銅接頭 1" × 1/2" 牙	350	25	
	611006	套銅接頭 1" × 3/4" 牙	350	25	
	620400	套銅三通 1/2"	500	8	
	620600	套銅三通 3/4"	350	12	
	621000	套銅三通 1"	180	30	
	620604	套銅三通 3/4" × 1/2" 牙	450	12	
	621004	套銅三通 1" × 1/2" 牙	200	25	
	621006	套銅三通 1" × 3/4" 牙	200	25	
	630400	套銅外牙接頭 1/2"	30/690	25	
	630600	套銅外牙接頭 3/4"	25/600	30	
	631000	套銅外牙接頭 1"	25/400	40	
	631200	套銅外牙接頭 1-1/4"	280	120	
	631400	套銅外牙接頭 1-1/2"	210	150	
	632000	套銅外牙接頭 2"	96	200	
	630604	套銅外牙接頭 3/4" × 1/2" 牙	25/600	30	
	640400	套銅外牙彎頭 1/2"	25/500	30	
	640600	套銅外牙彎頭 3/4"	20/380	40	
	641000	套銅外牙彎頭 1"	10/180	54	
	640604	套銅外牙彎頭 3/4" × 1/2" 牙	20/380	40	
	650400	ST 束口彎頭 1/2" (加長)	25/500	34	
	650600	ST 束口彎頭 3/4"	20/400	42	
	651000	ST 束口彎頭 1"	10/150	68	
	650604	ST 束口彎頭 3/4" × 1/2" 牙	20/400	46	


參考圖	品編	品名	盒 / 箱	牌價	折數
	660400	ST 束口接頭 1/2"	25/600	30	
	660600	ST 束口接頭 3/4"	20/400	42	
	661000	ST 束口接頭 1"	10/200	68	
	660604	ST 束口接頭 3/4" × 1/2" 牙	20/400	46	
	670400	ST 束口三通 1/2"	15/420	38	
	670600	ST 束口三通 3/4"	10/250	48	
	680400	重型套銅彎頭 1/2"	50/500	34	
	680600	重型套銅彎頭 3/4"	50/400	42	
	681000	重型套銅彎頭 1"	20/200	86	
	680000	重型套銅彎頭 3/4"*1/2"	50/400	36	
	680401	重型套銅接頭 1/2"	100/700	30	
	680601	重型套銅接頭 3/4"	50/500	46	
	681001	重型套銅接頭 1"	50/500	86	
	680001	重型套銅接頭 3/4"*1/2"	20/300	38	
	680402	重型套銅三通 1/2"	50/300	34	
	680602	重型套銅三通 3/4"	50/250	50	
	680002	重型套銅三通 3/4"*1/2"	50/200	42	
	680403	重型外牙套銅接頭 1/2"	30/900	28	
	680603	重型外牙套銅接頭 3/4"	25/700	38	
	680404	重型外牙套銅彎頭 1/2"	50/450	30	
	680604	重型外牙套銅彎頭 3/4"	50/300	40	
	690400	龍口彎頭 1/2" (無加長)	1300	6.5	
	690600	龍口彎頭 3/4"	900	9	
	691000	龍口彎頭 1"	500	23	
	690000	龍口彎頭 3/4" × 1/2" 牙	1200	12	
	690401	龍口接頭 1/2" (無加長)	1700	6.5	
	690601	龍口接頭 3/4"	1200	9	
	691001	龍口接頭 1"	700	23	
	690001	龍口接頭 3/4" × 1/2" 牙	1200	12	
	690011	龍口接頭 1" × 1/2" 牙	800	25	
	690021	龍口接頭 1" × 3/4" 牙	800	25	
	690402	龍口三通 1/2"	1000	8	
	690602	龍口三通 3/4"	700	12	
	690002	龍口三通 3/4" × 1/2" 牙	850	12	
	690012	龍口三通 1" × 1/2" 牙	400	25	
	690022	龍口三通 1" × 3/4" 牙	400	25	
		690403	龍口外牙接頭 1/2"	1250	7
690603		龍口外牙接頭 3/4"	800	8	
691003		龍口外牙接頭 1"	500	13	
	690404	龍口外牙彎頭 1/2"	1000	30	
	690604	龍口外牙彎頭 3/4"	750	40	
	691004	龍口外牙彎頭 1"	300	54	

參考圖	品編	品名	盒 / 箱	牌價	折數
	700000	五呎白花軟管(4分)	80		
	700001	五呎白花銅頭軟管(5分)	80		
	700002	五呎白鐵軟管(標準型)	80		
	700003	六呎白鐵軟管(標準型)			
	700004	八呎白鐵軟管(標準型)			
	700005	十呎白鐵軟管(標準型)			
	700010	五呎白鐵軟管(大流量)			
	700011	八呎白鐵軟管(大流量)			
	700020	五呎白鐵軟管(不打結)			
700021	八呎白鐵軟管(不打結)				
	700030	五呎不銹鋼軟管-加密	80		
	700040	五呎不銹鋼軟管-鍍金	80		
	700041	五呎不銹鋼軟管-玫瑰金	80		
	700042	五呎不銹鋼軟管-青古銅	80		
	700043	五呎不銹鋼軟管-黑古銅	80		
	700060	五呎PVC彩色軟管-霧銀	60		
	700061	五呎PVC彩色軟管-霧金	60		
	700062	五呎PVC彩色軟管-鍍色	60		
	700063	五呎PVC彩色軟管-水藍	60		
	700064	五呎PVC彩色軟管-鈦紫	60		
	700100	四呎噴槍平口軟管(4分)	80		
	700200	白色大壁掛(5分)	180		
	700201	白色小壁掛(4分)	280		

參考圖	品編	品名	盒 / 箱	牌價	折數
	700202	電鍍小壁掛(4分)	280		
	700203	白色調整型壁掛(5分)	180		
	700204	電鍍調整型壁掛(4分)	180		
	700209	電鍍式雙孔壁掛(4分)	180		
	700300	三通-白			
	700301	三通-銅			
	700302	三通-電鍍			
	701000	單段直管灰蓋蓮蓬頭	120		
	701004	單段直管圓灰白蓋蓮蓬頭	96		
	701006	單段直管圓灰蓋蓮蓬頭	120		
	701007	單段彎管圓灰蓋蓮蓬頭	96		
	701008	單段電鍍彎管黑蓋蓮蓬頭	96		
	701100	單段除垢直管深灰蓋蓮蓬頭	120		
	701102	單段除垢直管淺灰蓋蓮蓬頭	120		
	701104	單段除垢電鍍彎管灰蓋蓮蓬頭	96		

參考圖	品編	品名	盒 / 箱	牌價	折數
	701200	三段按摩直管藍白蓋蓮蓬頭	96		
	701201	三段按摩直管純白蓋蓮蓬頭	96		
	701202	三段式米白直管蓮蓬頭	96		
	701203	三段式電鍍彎管蓮蓬頭	96		
	701300	五段電鍍直管蓮蓬頭 (符合德國市場認證環保內管)	36		
	701301	五段按摩直管蓮蓬頭-寶石藍	42		
	701302	五段按摩直管蓮蓬頭-桃粉紅	42		
	701303	五段按摩直管蓮蓬頭-玫瑰金	42		
	701304	五段按摩直管蓮蓬頭-神秘黑	42		
	701320	八段多功能彎管蓮蓬頭	24		
	701400	單段開關蓮蓬頭(按鍵式)	160		
	701402	單段省水直管氣泡蓮蓬頭	120		
	701405	單段省水電鍍彎管氣泡蓮蓬頭	96		

參考圖	品編	品名	盒 / 箱	牌價	折數
	701500	膠囊蓮蓬頭-珍珠白(玻尿酸鈉)	60		
	701501	膠囊蓮蓬頭-玫瑰金(穀胱甘肽)	60		
	701900	亞硫酸鈣茶葉包(3入裝) 泡澡用			
	701901	亞硫酸鈣膠囊(1入裝)	90		
	701910	玻尿酸鈉凝膠球(3入裝)	150		
	701911	杜松莓果凝膠球(3入裝)	150		
	701912	歐洲越橘凝膠球(3入裝)	150		
	701913	麝香蒼蘭凝膠球(3入裝)	150		
	701914	穀胱甘肽凝膠球(3入裝)	150		
	701950	玻尿酸鈉膠囊(1入裝)	90		
	701951	杜松莓果膠囊(1入裝)	90		
	701952	歐洲越橘膠囊(1入裝)	90		
	701953	麝香蒼蘭膠囊(1入裝)	90		
	701954	穀胱甘肽膠囊(1入裝)	90		
	701999	餘氯測試劑-迷你瓶			
	702000	白色噴槍(A)	200		
	702001	白色噴槍(B)	200		
	702002	電鍍噴槍(B)	200		
	702004	電鍍噴槍(A)	200		
	702005	鳥型電鍍噴槍 (內裝白鐵軸心)			
	702010	銅噴槍			

參考圖	品編	品名	盒 / 箱	牌價	折數
	703100	兩段式氣泡廚房花灑	120		
	710000	P型落水管-伸縮加長	盒裝32 袋裝45		
	710001	S型落水管-伸縮加長	盒裝17 袋裝27		
	710007	按壓式 ST面蓋排桿-有溢水孔	90		
	710008	按壓式 ST面蓋排桿-無溢水孔	90		
	710009	按壓式落水頭	400		
	710010	P型落水管-清潔口	盒裝32 袋裝45		
	710011	S型落水管-清潔口	盒裝17 袋裝27		
	710012	萬用型落水管	盒裝32		
	710021	37CM下水管	80		
	710100	6吋鋼絲軟管 1/2"(牙)*1/2"(管)*1/2"(牙)			
	710101	8吋鋼絲軟管 1/2"(牙)*1/2"(管)*1/2"(牙)			
	710102	1呎鋼絲軟管 1/2"(牙)*1/2"(管)*1/2"(牙)			
	710103	1.2呎鋼絲軟管 1/2"(牙)*1/2"(管)*1/2"(牙)			
	710104	1.5呎鋼絲軟管 1/2"(牙)*1/2"(管)*1/2"(牙)			
	710105	2呎鋼絲軟管 1/2"(牙)*1/2"(管)*1/2"(牙)			
	710106	2.5呎鋼絲軟管 1/2"(牙)*1/2"(管)*1/2"(牙)			
	710107	3呎鋼絲軟管 1/2"(牙)*1/2"(管)*1/2"(牙)			
	710108	4呎鋼絲軟管 1/2"(牙)*1/2"(管)*1/2"(牙)			
	710109	5呎鋼絲軟管 1/2"(牙)*1/2"(管)*1/2"(牙)			




















參考圖	品編	品名	盒 / 箱	牌價	折數
	710110	6呎鋼絲軟管 1/2"(牙)*1/2"(管)*1/2"(牙)			
	710111	7呎鋼絲軟管 1/2"(牙)*1/2"(管)*1/2"(牙)			
	710112	8呎鋼絲軟管 1/2"(牙)*1/2"(管)*1/2"(牙)			
	710113	9呎鋼絲軟管 1/2"(牙)*1/2"(管)*1/2"(牙)			
	710114	10呎鋼絲軟管 1/2"(牙)*1/2"(管)*1/2"(牙)			
	710120	6吋鋼絲軟管 1/2"(牙)*3/4"(管)*1/2"(牙)			
	710121	8吋鋼絲軟管 1/2"(牙)*3/4"(管)*1/2"(牙)			
	710122	1呎鋼絲軟管 1/2"(牙)*3/4"(管)*1/2"(牙)			
	710123	1.2呎鋼絲軟管 1/2"(牙)*3/4"(管)*1/2"(牙)			
	710124	1.5呎鋼絲軟管 1/2"(牙)*3/4"(管)*1/2"(牙)			
	710125	2呎鋼絲軟管 1/2"(牙)*3/4"(管)*1/2"(牙)			
	710126	2.5呎鋼絲軟管 1/2"(牙)*3/4"(管)*1/2"(牙)			
	710127	3呎鋼絲軟管 1/2"(牙)*3/4"(管)*1/2"(牙)			
	710128	4呎鋼絲軟管 1/2"(牙)*3/4"(管)*1/2"(牙)			
	710129	5呎鋼絲軟管 1/2"(牙)*3/4"(管)*1/2"(牙)			
	710130	6呎鋼絲軟管 1/2"(牙)*3/4"(管)*1/2"(牙)			
	711000	1-1/2"白鐵四角中型落水頭	200		
	711001	1-1/2"白鐵四角中型落水頭(附防蟲網)	200		
	711002	2"白鐵四角中型落水頭	200		
	711003	2"白鐵四角中型落水頭(附防蟲網)	200		
	711004	1-1/2"中型高腳落水頭	200		
	711005	1-1/2"中型高腳落水頭(附防蟲網)	200		
	711006	2"中型高腳落水頭	200		
	711007	2"中型高腳落水頭(附防蟲網)	200		
	711008	1-1/2"大型高腳落水頭	100		
	711009	1-1/2"大型高腳落水頭(附防蟲網)	100		
	711010	2"大型高腳落水頭	100		
	711011	2"大型高腳落水頭(附防蟲網)	100		
	711012	2-1/2"大型高腳落水頭	100		
	711013	2-1/2"大型高腳落水頭(附防蟲網)	100		
	711014	3"大型高腳落水頭	100		
	711015	3"大型高腳落水頭(附防蟲網)	100		
	711100	2"洗衣機兩用落水頭	50		
	711101	1-1/2"直條地板9.5*9.5(螺絲型)和成型	100		
	711102	2"直條地板9.5*9.5(螺絲型)和成型	100		
	711103	1-1/2"歐式雙層地板	100		
	711104	1-1/2"歐式雙層地板(附塑膠上不來)	100		
	711105	1-1/2"歐式雙層地板(附ST水門)	100		
	711106	2"歐式雙層地板	100		
	711107	2"歐式雙層地板(附塑膠上不來)	100		
	711108	2"歐式雙層地板(附ST水門)	100		
	711109	1-1/2"方孔地板	50		
	711110	1-1/2"方孔地板(附ST水門)	50		
	711111	1-1/2"ST水門	50		
	711112	2"方孔地板	50		
	711113	2"方孔地板(附ST水門)	50		
	711114	2"ST水門	50		

參考圖	品編	品名	盒 / 箱	牌價	折數
	711115	1-1/2"方孔地板(附ST水門)	50		
	711116	2"方孔地板(附ST水門)	50		
	711117	3"方孔地板	50		
	711118	4"方孔地板	50		
	711119	1-1/2"SUS430方孔地板(一體式水門)			
	711120	2"SUS430方孔地板(一體式水門)			
	711121	4"ST清潔口-圓形(螺絲型)			
	711122	5"ST清潔口-圓形(螺絲型)			
	711123	3"ST清潔口-方形(螺絲型)			
	711124	4"ST清潔口-方形(螺絲型)			
	711125	5"ST清潔口-方形(螺絲型)			
	720000	單孔毛巾架			
	720001	雙孔毛巾架			
	731000	液面控制器	42		
	731100	ABS浮球開關組 1/2"	60		
	731101	ABS浮球開關組 3/4"	60		
	731102	ABS浮球開關組 1"	60		
	731103	ABS浮球開關組 1 1/2"	25		
	731104	ABS浮球開關組 2"	25		
	731105	ABS浮球開關組 3" (牙口)	8		
	731106	ABS浮球開關組 3" (法蘭式)	6		
731107	ABS浮球開關組 4" (法蘭式)	5			
	732000	面盆拆裝工具			
	733000	多功能陶瓷膠			
	733010	25MM玻璃纖維加強帶			
	734000	久統-PVC絕緣膠帶(紅) 0.13mm*19mm*20M	10/250		
	734001	久統-PVC絕緣膠帶(黑) 0.13mm*19mm*20M	10/250		

參考圖	品編	品名	盒 / 箱	牌價	折數
	734002	久統-PVC絕緣膠帶(黃) 0.13mm*19mm*20M	10/250		
	734003	久統-PVC絕緣膠帶(綠) 0.13mm*19mm*20M	10/250		
	734004	久統-PVC絕緣膠帶(白) 0.13mm*19mm*20M	10/250		
	734005	久統-PVC絕緣膠帶(灰) 0.13mm*19mm*20M	10/250		
	734006	久統-PVC絕緣膠帶(藍) 0.13mm*19mm*20M	10/250		
	734009	久統-PVC絕緣膠帶(透明) 0.13mm*19mm*20M	10/250		
	734100	YEA-PVC絕緣膠帶(紅) 0.13mm*18mm*18M	10/250		
	734101	YEA-PVC絕緣膠帶(黑) 0.13mm*18mm*18M	10/250		
	734102	YEA-PVC絕緣膠帶(黃) 0.13mm*18mm*18M	10/250		
	734103	YEA-PVC絕緣膠帶(綠) 0.13mm*18mm*18M	10/250		
	734104	YEA-PVC絕緣膠帶(白) 0.13mm*18mm*18M	10/250		
	734105	YEA-PVC絕緣膠帶(灰) 0.13mm*18mm*18M	10/250		
	734106	YEA-PVC絕緣膠帶(藍) 0.13mm*18mm*18M	10/250		
	734109	YEA-PVC絕緣膠帶(透明) 0.13mm*18mm*18M	10/250		
	740400	平面牙塞頭 1/2"	100		
	740600	平面牙塞頭 3/4"	100		
	741000	平面牙塞頭 1"	100		
	740401	外牙塞頭-長 1/2"	100		
	740601	外牙塞頭-長 3/4"	100		
	740402	外牙塞頭-短 1/2"	100		
	740602	外牙塞頭-短 3/4"	100		
	741002	外牙塞頭-短 1"	100		












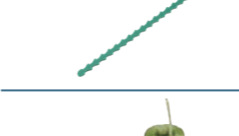


參考圖	品編	品名	盒 / 箱	牌價	折數
	740002	釘套 1-1/4"	85		
	740003	釘套 1"	85		
	740005	止洩帶15M	10/100		
	740006	YEA止洩帶10M	10/100		
	740007	YEA止洩帶15M	10/100		
	740101	#1 長牙塞 (要用止洩帶)	100/1200		
	740102	#2 長牙塞 (免用止洩帶)	100/1200		
	740104	#4 長牙塞-免敲牆壁 (免止洩帶)	100/1200		
	740205	#5 胖牙塞 (要用止洩帶)	100/1200		
	740206	#6 胖牙塞 (免用止洩帶)	100/1200		
	740208	#8 胖牙塞-免敲牆壁 (免止洩帶)	100/1200		
	750000	沐浴龍頭(全銅) 附蓮蓬頭			
	750001	圓柱沐浴龍頭(全銅) 附蓮蓬頭			
	750100	面盆單孔龍頭(全銅) 附按壓式排桿、P彎、三角凡而			
	750101	圓柱面盆單孔龍頭(全銅) 附拉桿式排桿、P彎、三角凡而、白鐵絲管			
	750200	單把手面盆龍頭(半銅半塑)	12		
	750201	天使雙把手面盆龍頭(半銅半塑)	6		
	750202	茶壺雙把手茶龍頭(半銅半塑)	6		

參考圖	品編	品名	盒 / 箱	牌價	折數
	751000	萬向壁式龍頭			
	751001	萬向壁式冷熱龍頭 全配(附開關彎頭)			
	751100	萬向立式龍頭			
	751101	萬向立式冷熱龍頭 全配(附鋼絲+一字外牙)			
	751102	廚房下抽龍頭(全銅) 附三角凡而			
	751103	彈簧廚房抽取式龍頭(全銅) 附三角凡而			
	751300	單把手廚房龍頭(半銅半塑)	12		
	751301	高統雙把手廚房龍頭(半銅半塑)	12		
	751302	大C天使雙把手廚房龍頭(半銅半塑)	12		

參考圖	品編	品名	盒 / 箱	牌價	折數
	753200	不鏽鋼檯面龍頭 (附ST單孔鋼絲2條)			
	759000	1/2" 一字外牙(經濟型) 附塑膠法蘭蓋片			
	759001	1/2" 一字外牙(標準型) 附塑膠法蘭蓋片			
	759002	1/2" 一字外牙(加長型) 附ST法蘭蓋片			
	759003	1/2" 活動式三通接頭(經濟型)			
	759004	1/2" 三角外牙(經濟型) 附塑膠法蘭蓋片			
	759005	1/2" 水晶外牙(經濟型) 附塑膠法蘭蓋片			
	759100	1/2" 美規 內牙塑膠起波器(全流量)			
	759101	1/2" 美規 外牙塑膠起波器(全流量)			
	759200	3/8" 內牙-德製內膽銅起波器(全流量)			
	759201	3/8" 內牙-德製內膽銅起波器(2.2GPM)			
	759202	1/2" 內牙-德製內膽銅起波器(全流量)			
	759203	1/2" 內牙-德製內膽銅起波器(2.2GPM)			
	759204	3/8" 外牙-德製內膽銅起波器(全流量)			
	759205	3/8" 外牙-德製內膽銅起波器(2.2GPM)			
	759206	1/2" 外牙-德製內膽銅起波器(全流量)			
	759207	1/2" 外牙-德製內膽銅起波器(2.2GPM)			
	759208	3/4" 外牙-德製內膽銅起波器(全流量)			
	759209	1/2" 萬向接頭德製內膽外牙 單出水起波器(全流量)			




參考圖	品編	品名	盒 / 箱	牌價	折數
	759210	1/2" 萬向接頭德製內膽內外牙旋切 防滑雙出水水波器(1.8GPM)			
	759211	1/2" 內牙德製內膽防滑型 旋轉切換起波器(1.8GPM)			
	759212	1/2" 外牙德製內膽防滑型 旋轉切換起波器(1.8GPM)			
	790001	單段直管灰蓋-三件組	24		
	790002	單段直管圓灰白蓋蓮蓬頭-三件組	24		
	790003	單段直管圓灰蓋蓮蓬頭-三件組	24		
	790004	單段電鍍彎管黑蓋蓮蓬頭-三件組	24		
	790005	單段除垢直管深灰蓋蓮蓬頭-三件組	24		
	790006	單段除垢直管淺灰蓋蓮蓬頭-三件組	24		
	790007	三段按摩直管藍白蓋蓮蓬頭-三件組	24		
	790008	單段開關蓮蓬頭-三件組	24		



參考圖	品編	品名	盒 / 箱	牌價	折數
	790009	白色噴槍-三件組	30		
	790010	三段按摩直管純白蓋蓮蓬頭-三件組	24		
	790012	電鍍噴槍-三件組	30		
	791000	膠囊蓮蓬頭組合-珍珠白 (配件:玫瑰金軟管*1+治具*1+凝膠球*3)	12		
	791001	膠囊蓮蓬頭組合-玫瑰金 (配件:玫瑰金軟管*1+治具*1+凝膠球*3)	12		
	800309	奧茲塔籬笆-PP (24PCS/組)	8		
	801000	8M浪板10公分	12		
	801001	8M浪板15公分	12		
	801002	8M浪板20公分	12		
	801003	8M加強型浪板10公分	12		
	801004	8M加強型浪板15公分	12		

參考圖	品編	品名	盒 / 箱	牌價	折數
	812300	3*3模組盆栽 雙層-粉 德國紅點設計獎	8		
	812301	3*3模組盆栽 雙層-藍 德國紅點設計獎	8		
	812302	3*3模組盆栽 雙層-綠 德國紅點設計獎	8		
	812303	3*3模組盆栽 單層-黃 德國紅點設計獎	8		
	812310	3*3模組盆栽 單層-粉	12		
	812311	3*3模組盆栽 單層-藍	12		
	812312	3*3模組盆栽 單層-綠	12		
	812313	3*3模組盆栽 單層-黃	12		
	812320	小盆栽-粉	96		
	812321	小盆栽-藍	96		
	812322	小盆栽-綠	96		
	812323	小盆栽-黃	96		
	822401	13公分束帶	100/袋		
	822402	17公分束帶	100/袋		
	822403	23公分束帶	50/袋		
	823000	400米綠色繩			

參考圖	品編	品名	盒 / 箱	牌價	折數
	823100	100mm魔帶			
	823101	30mm魔帶			
	830000	直型花牌	25/袋		
	830006	方形花牌			
	850000	A 1/2"*100m單管噴水管帶	14		
	850100	B 1/2"*100m單管噴水管帶	14		
	850001	A 3/4"*100m單管噴水管帶	12		
	850101	B 3/4"*100m單管噴水管帶	12		
	850199	B 6.5"*100m單管噴水管帶	12		
	850002	A 1"*100m單管噴水管帶	10		
	850102	B 1"*100m單管噴水管帶	10		
	850003	A 1-1/4"*100m單管噴水管帶	8		
	850103	B 1-1/4"*100m單管噴水管帶	8		
	850004	A 1-1/2"單管噴水管帶	6		
850104	B 1-1/2"單管噴水管帶	6			
	851000	A 3/4"*2*100m雙管定位噴水管帶	5		
	851100	B 3/4"*2*100m雙管定位噴水管帶	5		
	852000	A 3/4"*100m三管定位噴水管帶	5		
	852100	B 3/4"*100m三管定位噴水管帶	5		
	852001	A 1"*100m三管定位噴水管帶	5		
	852101	B 1"*100m三管定位噴水管帶	5		
	852002	A 1-1/4"*100m三管定位噴水管帶	5		
	852102	B 1-1/4"*100m三管定位噴水管帶	5		
	853000	A 3/4"*100m雙翼定位噴水管帶	8		
	853100	B 3/4"*100m雙翼定位噴水管帶	8		
	853001	A 1"*100m雙翼定位噴水管帶	6		
	853101	B 1"*100m雙翼定位噴水管帶	6		
	853002	A 1-1/4"*100m雙翼定位噴水管帶	6		
	853102	B 1-1/4"*100m雙翼定位噴水管帶	6		
	853003	A 1-1/4"*100m雙翼吊式噴水管帶	6		
	853103	B 1-1/4"*100m雙翼吊式噴水管帶	6		
	854000	A 1/2"*100m無孔排水管帶	14		
854100	B 1/2"*100m無孔排水管帶	14			
854001	A 3/4"*100m無孔排水管帶	12			
854101	B 3/4"*100m無孔排水管帶	12			
854002	A 1"*100m無孔排水管帶	10			
854102	B 1"*100m無孔排水管帶	10			
854003	A 1-1/4"*100m無孔排水管帶	8			
854103	B 1-1/4"*100m無孔排水管帶	8			
854004	A 1-1/2"*100m無孔排水管帶	6			

參考圖	品編	品名	盒 / 箱	牌價	折數
	854104	B 1-1/2"*100m無孔排水管帶	6		
	854005	A 2"*100m無孔排水管帶	5		
	854105	B 2"*100m無孔排水管帶	5		
	854006	A 2-1/2"*100m無孔排水管帶	4		
	854106	B 2-1/2"*100m無孔排水管帶	5		
	854007	A 3"*100m無孔排水管帶	3		
	854107	B 3"*100m無孔排水管帶	4		
	854008	A 3-1/2"*100m無孔排水管帶	3		
	854108	B 3-1/2"*100m無孔排水管帶	3		
	854009	A 4"*100m無孔排水管帶	3		
	854109	B 4"*100m無孔排水管帶	3		
	854010	A 5"*100m無孔排水管帶	2		
	854110	B 5"*100m無孔排水管帶	2		
854011	A 6"*100m無孔排水管帶	2			
854111	B 6"*100m無孔排水管帶	2			
854012	A 7"*100m無孔排水管帶	2			
854112	B 7"*100m無孔排水管帶	2			
854013	A 8"*100m無孔排水管帶	1			
854113	B 8"*100m無孔排水管帶	1			
	855000	A 3/4"透明藍單管噴水管	12		
	855100	B 3/4"透明藍單管噴水管	12		
	855001	A 1"透明藍單管噴水管	10		
	855101	B 1"透明藍單管噴水管	10		
855002	A 1-1/4"透明藍單管噴水管	8			
855102	B 1-1/4"透明藍單管噴水管	8			
	859000	2"*1 1/4" male thread 三通接頭	100		
	859001	2 1/2"*1 1/4" male thread 三通接頭	85		
	859002	3"*1 1/4" male thread 三通接頭	55		
	859003	3 1/2"*1 1/4" male thread 三通接頭	45		
859004	4"*1 1/4" male thread 三通接頭	40			
	859100	2"*1 1/4" male thread 四通接頭	100		
	859101	2 1/2"*1 1/4" male thread 四通接頭	75		
	859102	3"*1 1/4" male thread 四通接頭	50		
	859103	3 1/2"*1 1/4" male thread 四通接頭	40		
859104	4"*1 1/4" male thread 四通接頭	35			
	859200	3/4" male thread*3/4" 管首快接頭	500		
	859201	1 1/4" male thread *1" 管首快接頭	500		
	859202	1 1/4" male thread*1 1/4" 管首快接頭	400		
	859210	3/4"*3/4"管中雙環快接頭	500		
	859211	1" *1"管中雙環快接頭	500		
	859212	1 1/4"*1 1/4"管中雙環快接頭	400		
859220	1 1/4" male thread*3/4"*2管首Y快接頭	250			
859900	1 1/4" male thread 止水管帽內螺牙	1000			
859901	噴水管帶折彎固定插6mm*1.5尺	1000			
859902	固定3孔止水尾夾	600			
859903	無固定孔止水尾夾	660			















參考圖	品編	品名	盒 / 箱	牌價	折數
	859904	1-1/4"內牙*3/4"外牙大小頭			
	860000	三段塑槍			
	860001	七段塑槍			
	860002	三段直塑槍-奶嘴型			
	860003	三段直塑槍-內牙型			
	860004	尖嘴5點塑槍			
	860005	尖嘴水波塑槍(奶嘴型)			
	860006	10段5點塑槍(奶嘴型)			
	860007	10段水波塑槍(奶嘴型)			
	860008	4-1/2"無牙塑槍			
	860100	銅頭前壓鋅槍			
	860101	銅頭L型後壓鋅槍			
	860102	3線小銅頭後壓鋅槍			
	860103	10段前壓鋅槍			

參考圖	品編	品名	盒 / 箱	牌價	折數
	860104	10段L型後壓鋅槍			
	860105	5-1/2"有牙鋅槍			
	861000	三臂旋轉灑水噴頭			
	862000	3/8"快速接頭			
	862001	1/2"快速接頭-止水			
	862002	1/2"快速接頭-不止水			
	862003	3/4"快速接頭-止水			
	862004	3/4"快速接頭-不止水			
	862005	3/4"內牙快速接頭-止水			
	862006	3/4"內牙快速接頭-不止水			
	862007	3/4"外牙快速接頭			
	862100	1/2"公牙接頭			
	862101	3/4"公牙接頭			
	862102	1/2"母牙接頭			
	862103	3/4"母牙接頭			
	862104	1/2"雙邊接頭			
	862105	3/4"雙邊接頭			
	862106	1/2" & 5/8" & 3/4" 合蓋公牙 (含一般螺絲不包含組裝)			
	862107	1/2" & 5/8" & 3/4" 合蓋母牙 (含一般螺絲不包含組裝)			
	862108	1/2" & 5/8" & 3/4" 雙邊合蓋 (含一般螺絲不包含組裝)			

參考圖	品編	品名	盒 / 箱	牌價	折數
	862109	3/8"水管接頭組			
	862200	1/2"&3/4"水龍頭接頭(含鍊子)			
	862201	1/2"&3/4"水龍頭接頭			
	862202	3/4"水龍頭接頭			
	862203	3/4"水龍頭接頭			
	862300	3/4"外牙奶嘴			
	862301	3/4"母牙奶嘴			
	862302	1"母牙奶嘴			
	862303	3/4"雙頭奶嘴			
	862304	三通奶嘴			
	862305	3/4"~1/2"轉接器			
	862306	1"~3/4"轉接器			
	862307	3/4"奶嘴單通開關			
	862308	3/4"外牙單通開關			
	862309	3/4"奶嘴雙通開關			
	862310	3/4"外牙雙通開關			
	862311	雙通無開關接頭			
	868000	4段直噴水槍接頭組			

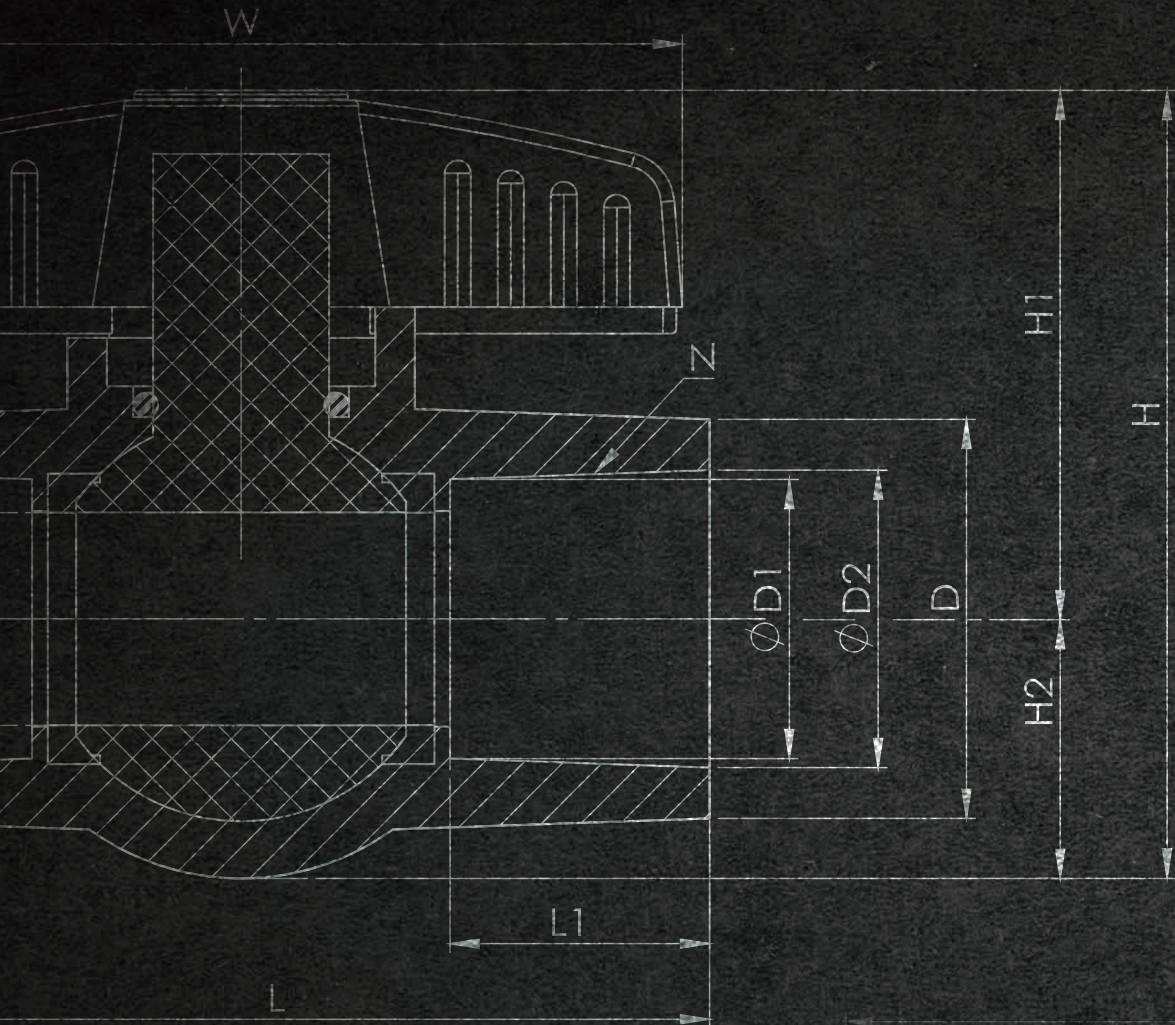
參考圖	品編	品名	盒 / 箱	牌價	折數
	868001	4段後推水槍接頭組			
	868100	7.5米伸縮布管組			
	868101	10米花園水管組			
	869000	J型水管架			
	869001	掛座(含一般螺絲)			
	869002	布管內牙			
	869003	布管外牙			
	869004	布管護套			
	869005	牙護套			
	869006	老鼠尾			
	869007	無孔油任			
	869008	有孔油任			
	869009	1/2"墊片			
	869010	3/4"墊片			
	869011	1"墊片			
	869012	吊卡			

參考圖	品編	品名	盒 / 箱	牌價	折數
	900103	提盒(大)(145mm*110mm*135mm)			
	900104	提盒(中)(145mm*110mm*85mm)			
	900105	提盒(小)(145mm*110mm*55mm)			
	900106	側扣盒			
	900107	吊耳側扣盒			
	900108	弧底盒			
	900109	雙腳盒小			
	900110	雙腳盒大			
	900111	吊耳四格盒			
	910000				
	910100	章魚掛勾-白鐵勾(白)	2PCS/盒		
	910200		100PCS/盒		

參考圖	品編	品名	盒 / 箱	牌價	折數
	910001				
	910101	章魚掛勾-白鐵勾(黑)	2PCS/盒		
	910201		100PCS/盒		
	910002				
	910102	章魚掛勾-白鐵勾(粉)	2PCS/盒		
	910202		100PCS/盒		
	910003				
	910103	章魚掛勾-白鐵勾(藍)	2PCS/盒		
	910203		100PCS/盒		
	910204	章魚掛勾(四色各25入)	100PCS/盒		
	910004				
	910104	章魚掛勾-塑膠單勾(白)	2PCS/盒		
	910005				
	910105	章魚掛勾-塑膠單勾(粉)	2PCS/盒		
	910006				
	910106	章魚掛勾-塑膠單勾(藍)	2PCS/盒		
	910007				
	910107	章魚掛勾-塑膠雙勾(白)	2PCS/盒		
	910008				
	910108	章魚掛勾-塑膠雙勾(粉)	2PCS/盒		
	910009				
	910109	章魚掛勾-塑膠雙勾(藍)	2PCS/盒		
	910501	章魚肥皂架-塑膠(白)	1PC/盒		
	910502	章魚肥皂架-塑膠(粉)	1PC/盒		
	910503	章魚肥皂架-塑膠(藍)	1PC/盒		
	950000	護膝軟墊	1 SET/袋		

Made in Taiwan

Since 1978



TEL : 04-7616616 | FAX : 04-7616615

地址 : 彰化縣秀水鄉雅興街178巷20號

E-Mail : mail@chiutong.com

網址 : <http://chiutong.com>